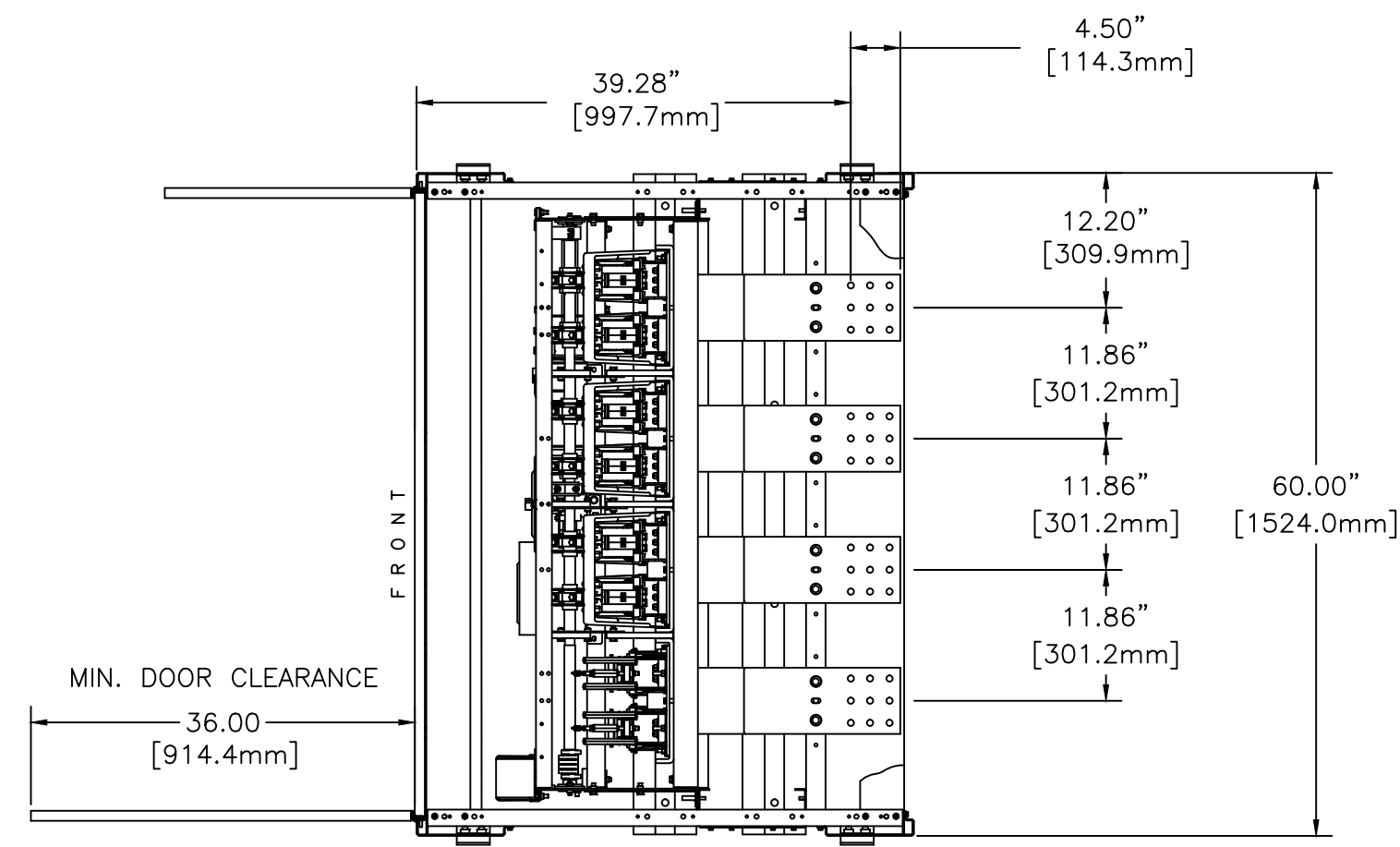


OUTLINE FOR ASCO® 4000 & 7000 SERIES 4000 AMPERE "G" FRAME (ATS,ACTS,ADTS) REAR CONNECTED TRANSFER SWITCHES OPEN TYPE BUSSED

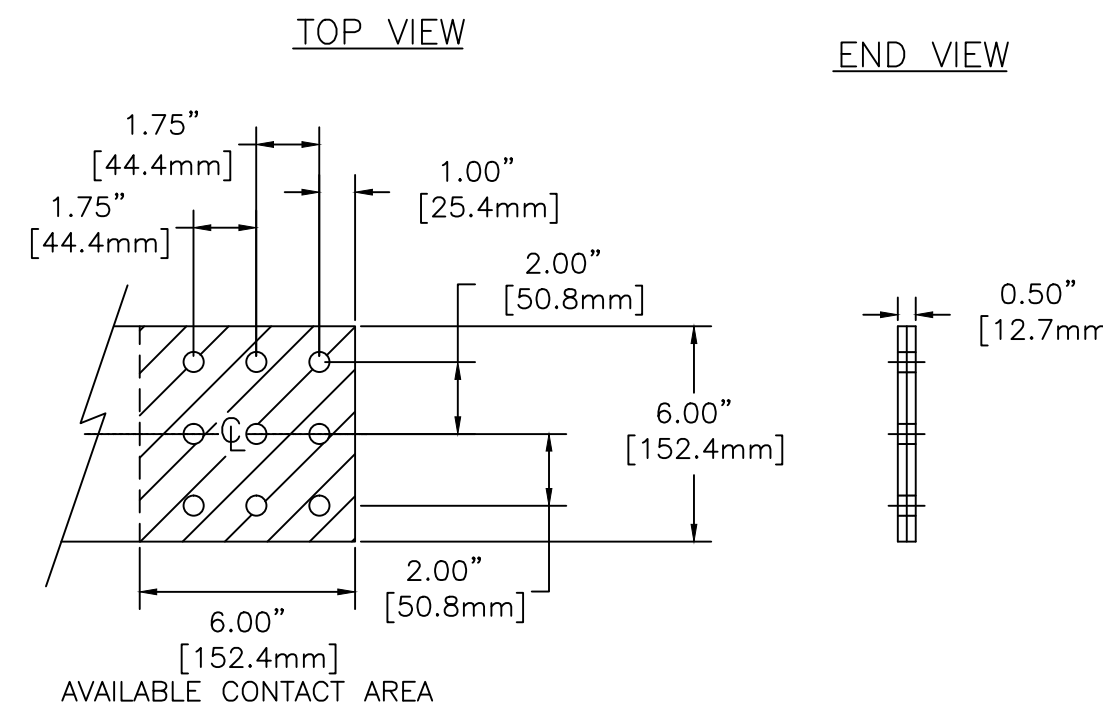
TABLE 2.0 CATALOG PREFIX

TS SERIES	PREFIX
4000	4ATS
	4NTS
	4ACTS
	4NCTS
7000	4ADTS
	4NDTS
	7ATS
	7NTS
	7ACTS
	7NCTS
	7ADTS
	7NDTS



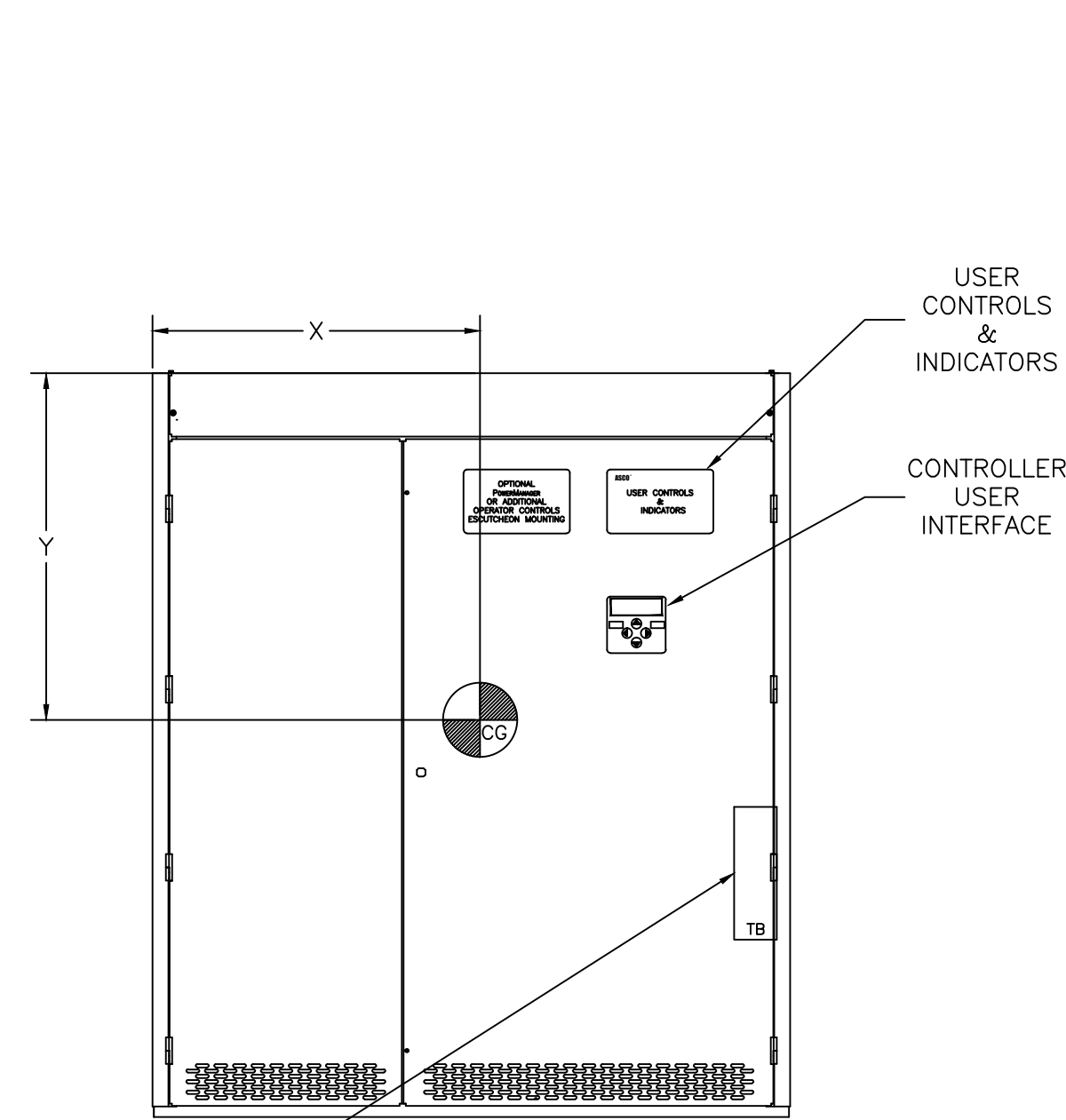
TOP VIEW

BUS TERMINATION DETAIL-NORMAL, EMERGENCY, & LOAD

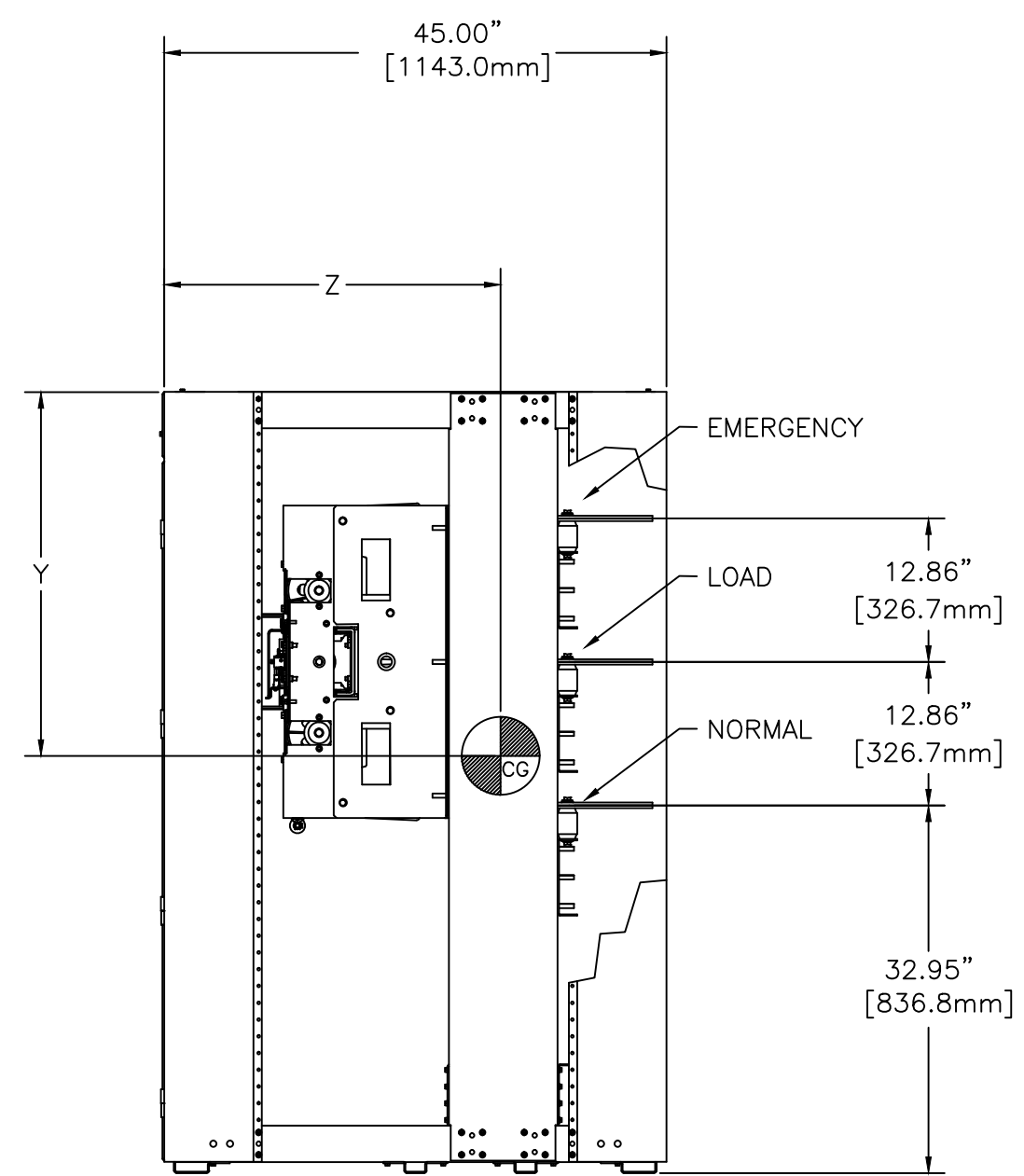


GENERAL NOTES

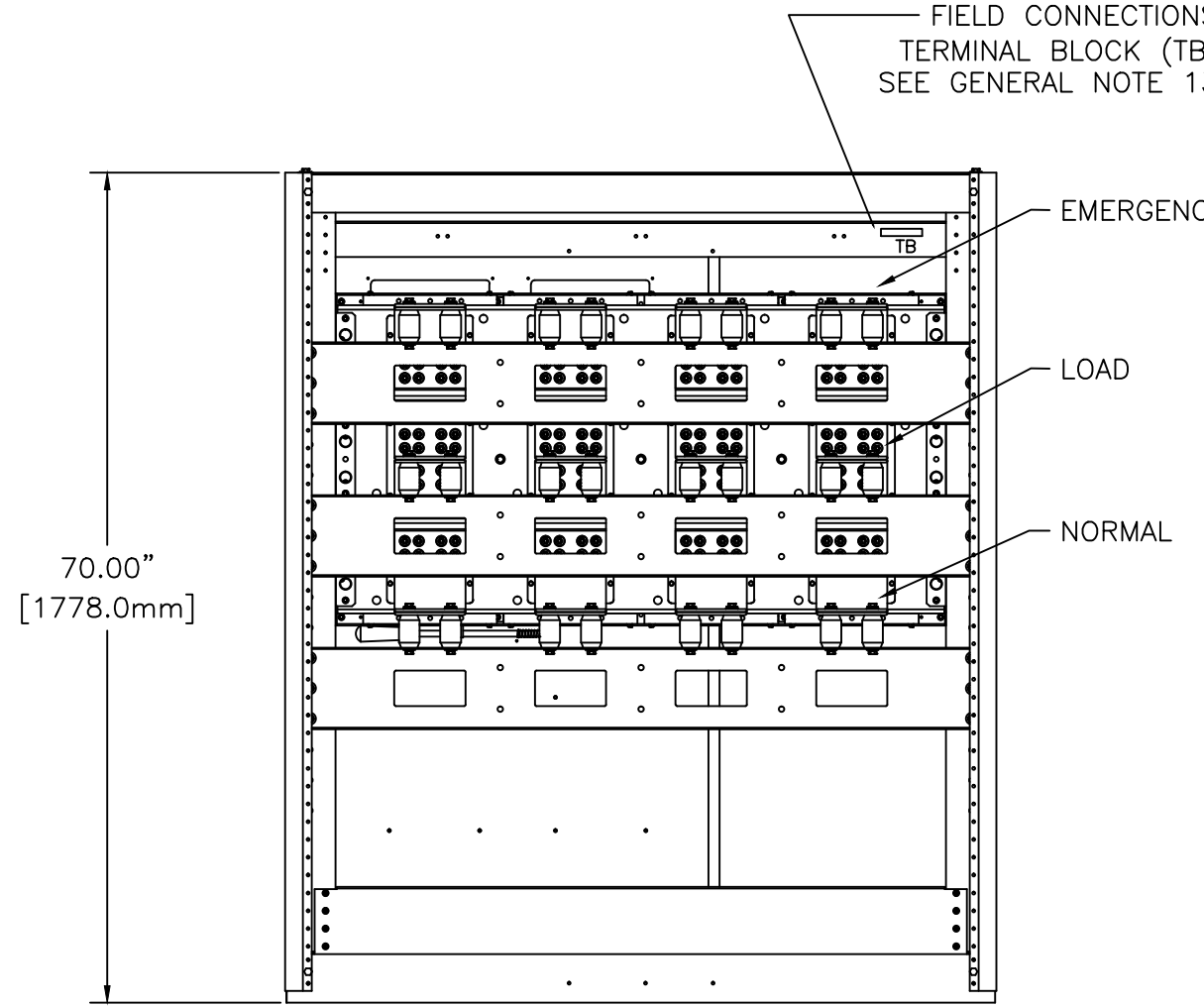
- WHEN INSTALLING CONNECT NORMAL, EMERGENCY, AND LOAD CONDUCTORS TO CLEARLY MARKED BUSS STAB
- ALL INTERNAL CONNECTIONS MADE AT FACTORY.
- OPERATOR'S MANUAL IS FURNISHED WITH EACH TRANSFER SWITCH. REFER TO THIS PUBLICATION PRIOR TO INSTALLATION AND OPERATION OF SWITCH.
- RECOMMENDED CLEARANCES: (FROM FINISHED ENCLOSURE)
FRONT: 48.00" (1220,0 mm)
REAR: 36.00" (914,0 mm)
- MINIMUM COMPARTMENT VOLUME TO BE NO LESS THAN 393,120 CU. IN.(6,425,496 CU. cm)
- MINIMUM HEIGHT NO LESS THAN 90" (2286 mm).
- REQUIRED VENTILATION IS AS FOLLOWS:
FRONT ABOVE TRANSFER SWITCH: 237 IN² (602 cm²)
FRONT BELOW TRANSFER SWITCH: 72 IN² (183 cm²)
REAR ABOVE TRANSFER SWITCH: 316 IN² (802 cm²)
REAR BELOW TRANSFER SWITCH: 316 IN² (802 cm²)
- NEUTRAL CONFIGURATIONS:
AN OPTIONAL FULL RATED NEUTRAL CONFIGURATION FOR EACH SOURCE AND THE LOAD MAY BE PROVIDED. WHEN EQUIPPED IT IS IN ONE OF THE FOLLOWING FORMATS AS SPECIFIED BY THE CATALOG NUMBER NEUTRAL TYPE:
(A) SOLID (COPPER BUS) NEUTRAL
(B) SWITCHED NEUTRAL POLE
(C) OVERLAPPING NEUTRAL POLE (NOT AVAILABLE ON ACTS/ADTS UNITS).
- ALL CONTROLS ARE MOUNTED AND PRE-WIRED.
- UNIT IS DESIGNED FOR REAR CABLE ENTRY.
- THE STANDARD SWITCH CONFIGURATION IS FOR EMERGENCY SOURCE ON TOP AND NORMAL SOURCE ON BOTTOM. OPTIONALLY THE SWITCH MAY BE SUPPLIED WITH REVERSE SOURCES. (REFER TO THE WIRING DIAGRAM FURNISHED WITH EACH TRANSFER SWITCH TO DETERMINE THE TERMINATION POSITIONS).
- CENTER OF GRAVITY-SEE TABLE BELOW.
- CUSTOMER TERMINAL BLOCKS:
FOR ALL 7000 SERIES UNITS THE TB WILL BE MOUNTED ON THE LOWER RIGHT INSIDE OF ENCLOSURE.
FOR 4000 SERIES UNITS TB WILL BE MOUNTED ON THE TRANSFER SWITCH FRAME AS INDICATED.



FRONT VIEW

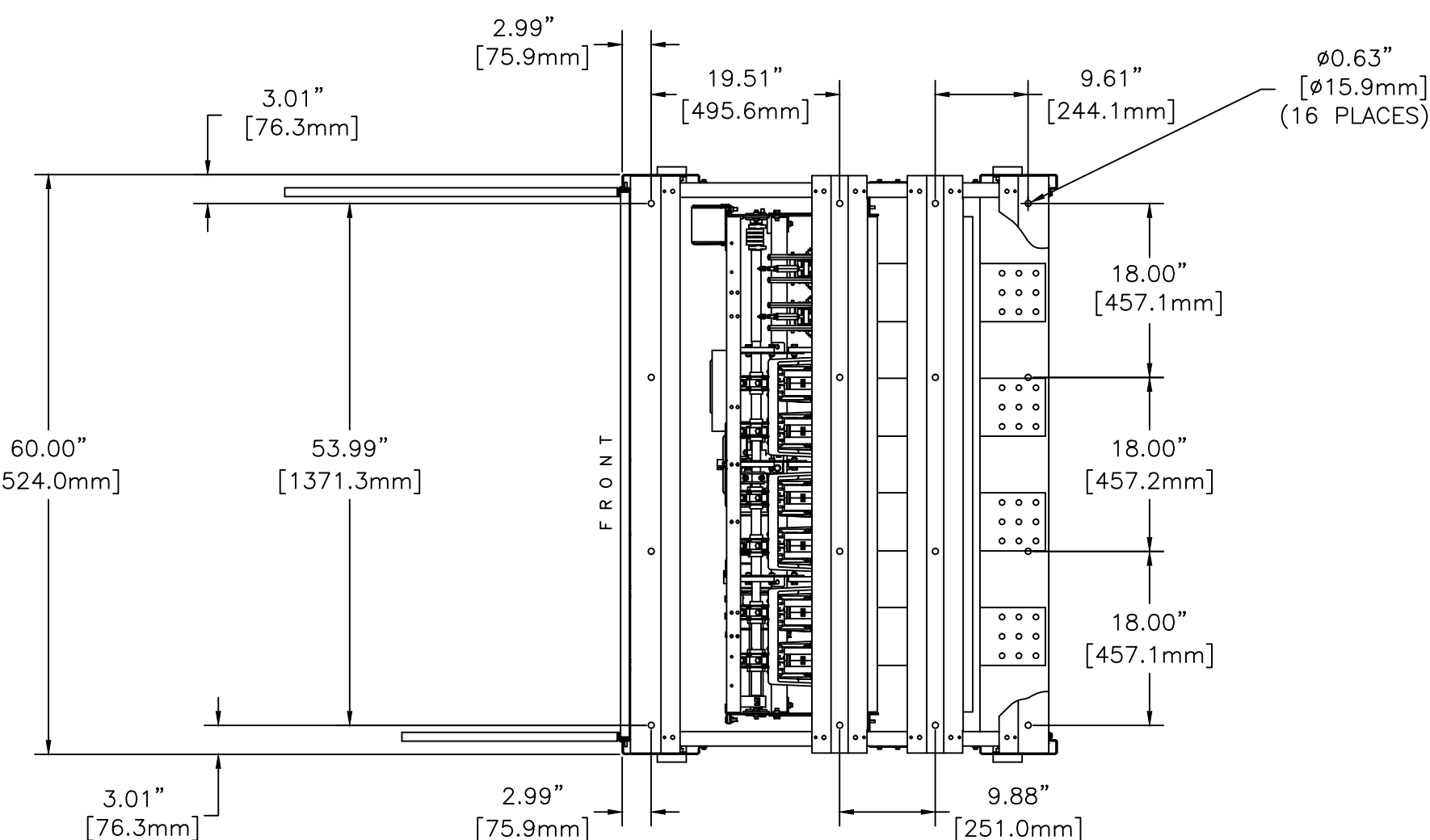


RIGHT SIDE VIEW



REAR VIEW

FIELD CONNECTIONS TERMINAL BLOCK (TB) SEE GENERAL NOTE 13



BOTTOM VIEW

TABLE 1.0 SHIPPING WEIGHT,LBS(KG), AND CENTER OF GRAVITY

AMP SIZE	POLES	WEIGHTS LBS(KG)	CENTER OF GRAVITY		
			X IN(mm)	Y IN(mm)	Z IN(mm)
4000	2	1213(550)	29.6(752)	29.3(744)	21.9(556)
	B2	1388(630)	28.6(726)	29.6(752)	21.4(544)
	C2	1372(622)	28.6(726)	29.6(752)	21.4(544)
	3	1388(630)	28.6(726)	29.6(752)	21.4(544)
	B3	1564(709)	29.7(754)	29.4(747)	21.8(554)
	C3	1547(709)	29.7(754)	29.4(747)	21.8(554)

A	244279	WK	BK	09/10/13
				SEE ECN
	224423	BK	WK	09/17/09
				ISSUE

PROJECT NAME: _____

OUTLINE

4000/7000 SERIES,ATS,ACTS,ADTS

4000 AMP. G FRAME, OPEN TYPE / BUSS

BY	DATE	MANUFACTURING TOLERANCES TO BE IN ACCORDANCE WITH ASCO PROCEDURE MP-1-003. FOR PLASTIC PARTS SEE MP-1-005	ASSEM. REF. NO.	COMPUTER GENERATED DRAWING
DRAWN BY	DJB	09/17/09		SCALE 1/16" = 1" SIZE DS
CHECKED	BK	09/17/09		DWG. NO.
PROJECT APPROVAL	WK	09/17/09		PROPERTY OF ASCO POWER TECHNOLOGIES, USE PERMITTED FOR OUR WORK ONLY. ALL RIGHTS OF DESIGN OR INVENTION ARE RESERVED.
FINAL APPROVAL				844459-003

ASCO® ASCO POWER TECHNOLOGIES, L.P.
FLORHAM PARK, NEW JERSEY 07932 U.S.A.

DRAWING A ECN NO. 244279 SHEET 1 OF 1