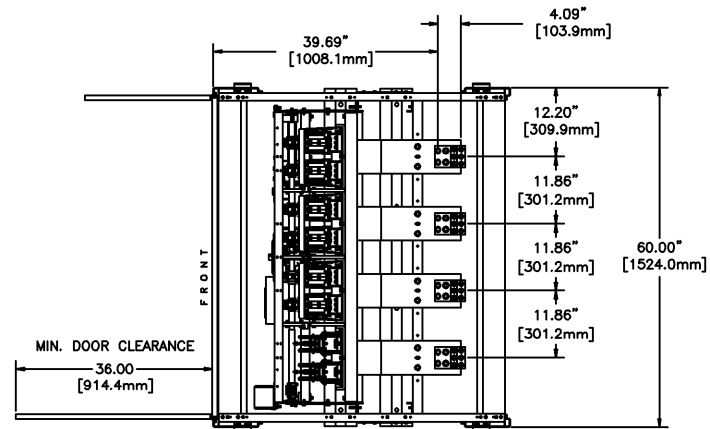


OUTLINE FOR ASCO® 4000 & 7000 SERIES 4000 AMPERE "G" FRAME (ATS,ACTS,ADTS) REAR CONNECTED TRANSFER SWITCHES OPEN TYPE

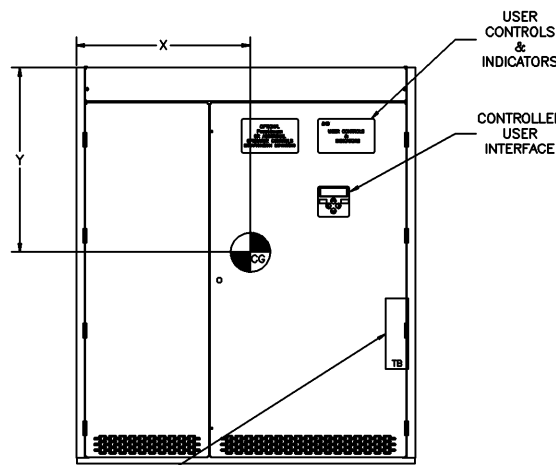
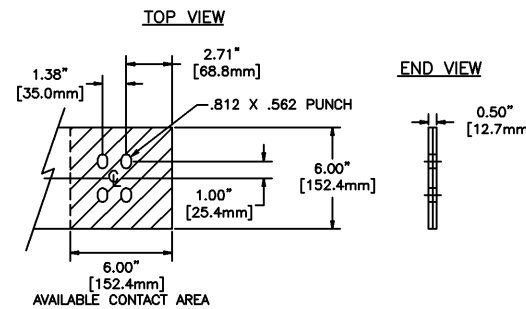
TABLE 2.0 CATALOG PREFIX

TS SERIES	PREFIX
4000	4ATS
	4NTS
	4ACTS
	4NCTS
7000	4ADTS
	4NDTS
	7ATS
	7NTS
	7ACTS
	7NCTS
	7ADTS
7NDTS	

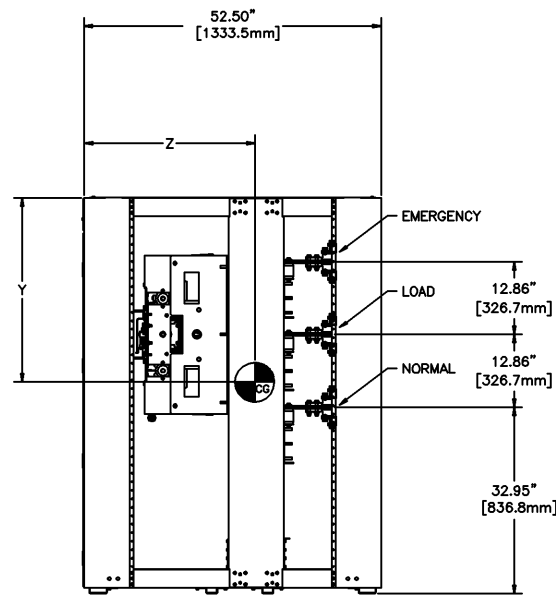


TOP VIEW

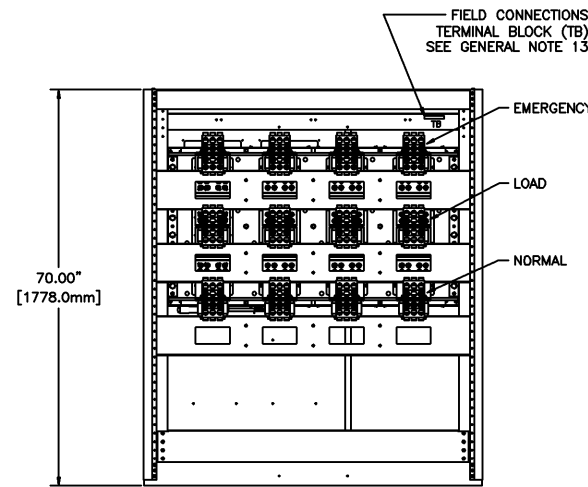
BUS TERMINATION DETAIL-NORMAL, EMERGENCY, & LOAD



FRONT VIEW

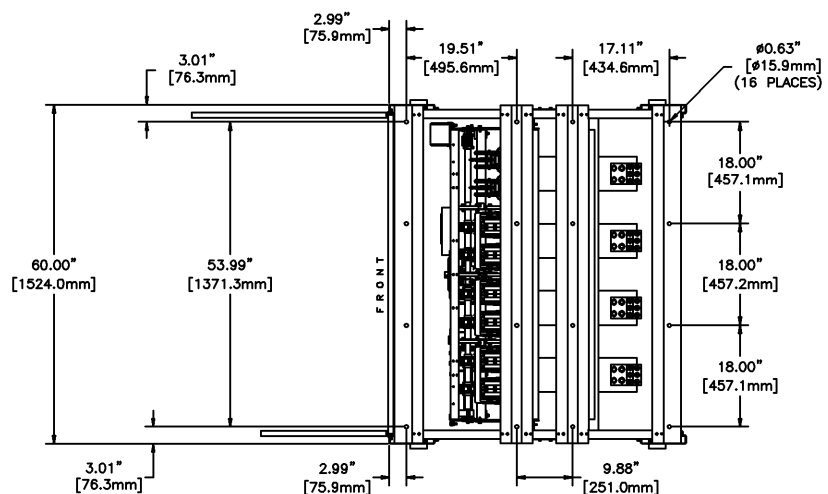


RIGHT SIDE VIEW



REAR VIEW

FIELD CONNECTIONS TERMINAL BLOCK (TB) SEE GENERAL NOTE 13



BOTTOM VIEW

GENERAL NOTES

- WHEN INSTALLING CONNECT NORMAL, EMERGENCY, AND LOAD CONDUCTORS TO CLEARLY MARKED TERMINALS.
- ALL INTERNAL CONNECTIONS MADE AT FACTORY.
- OPERATOR'S MANUAL IS FURNISHED WITH EACH TRANSFER SWITCH. REFER TO THIS PUBLICATION PRIOR TO INSTALLATION AND OPERATION OF SWITCH.
- RECOMMENDED CLEARANCES: (FROM FINISHED ENCLOSURE)
FRONT: 48.00" (1220,0 mm)
REAR: 36.00" (914,0 mm)
- MINIMUM COMPARTMENT VOLUME TO BE NO LESS THAN 393,120 CU. IN.(6,425,496 CU. cm)
- MINIMUM HEIGHT NO LESS THAN 90" (2286 mm).
- REQUIRED ENCLOSURE VENTILATION IS AS FOLLOWS:
FRONT ABOVE TRANSFER SWITCH: 237 IN² (1529 cm²)
FRONT BELOW TRANSFER SWITCH: 68 IN² (439 cm²)
REAR ABOVE TRANSFER SWITCH: 316 IN² (2039 cm²)
REAR BELOW TRANSFER SWITCH: 316 IN² (2039 cm²)
- NEUTRAL CONFIGURATIONS:
AN OPTIONAL FULL RATED NEUTRAL CONFIGURATION FOR EACH SOURCE AND THE LOAD MAY BE PROVIDED. WHEN EQUIPPED IT IS IN ONE OF THE FOLLOWING FORMATS AS SPECIFIED BY THE CATALOG NUMBER NEUTRAL TYPE:
(A) SOLID (COPPER BUS) NEUTRAL
(B) SWITCHED NEUTRAL POLE
(C) OVERLAPPING NEUTRAL POLE (NOT AVAILABLE ON ACTS/ADTS UNITS).
- ALL CONTROLS ARE MOUNTED AND PRE-WIRED.
- UNIT IS DESIGNED FOR REAR CABLE ENTRY.
- THE STANDARD SWITCH CONFIGURATION IS FOR EMERGENCY SOURCE ON TOP AND NORMAL SOURCE ON BOTTOM. OPTIONALLY THE SWITCH MAY BE SUPPLIED WITH REVERSE SOURCES. (REFER TO THE WIRING DIAGRAM FURNISHED WITH EACH TRANSFER SWITCH TO DETERMINE THE TERMINATION POSITIONS).
- CENTER OF GRAVITY-SEE TABLE BELOW.
- CUSTOMER TERMINAL BLOCKS:
FOR ALL 7000 SERIES UNITS THE TB WILL BE MOUNTED ON THE LOWER RIGHT INSIDE OF ENCLOSURE.
FOR 4000 SERIES UNITS TB WILL BE MOUNTED ON THE TRANSFER SWITCH FRAME AS INDICATED.

LUG NOTES

- SUPPLIED STANDARD WITH MECHANICAL (SCREW TYPE) LUGS.
A. UL LISTED, CSA CERTIFIED.
B. LUG SCREW TIGHTENING TORQUE PER UL 486B: (REFER TO WITHSTAND CURRENT RATING LABEL PROVIDED ON EACH TRANSFER SWITCH).
- OPTIONAL LUGS MAY BE SUPPLIED.
A. UL LISTED, CSA CERTIFIED.
B. LUG MOUNTING HARDWARE TIGHTENING TORQUE: (REFER TO LUG INSTALLATION DATA PROVIDED WITH UNIT FOR FULL INSTALLATION DETAILS).
- CONSULT FACTORY FOR OTHER TERMINATION REQUIREMENTS.

CABLING NOTES

- SUPPLIED WITH STANDARD MECHANICAL (SCREW TYPE) LUGS ON THE NORMAL, EMERGENCY & LOAD BUS STABS. TWO (2) LUGS PER PHASE AND NEUTRAL. SUITABLE FOR CONNECTION OF TWELVE (12) 1/0 - 750 MCM CU/AL CABLES.
A. SUITABLE WIRE BENDING SPACE IS PROVIDED PER NEC.
- OPTIONAL LUGS.
A. REFER TO LUG INSTALLATION DATA PROVIDED WITH UNIT FOR FULL INSTALLATION DETAILS.
B. SUITABLE WIRE BENDING SPACE IS PROVIDED PER NEC.

TABLE 1.0 SHIPPING WEIGHT,LBS(KG), AND CENTER OF GRAVITY

AMP SIZE	POLES	WEIGHTS LBS(KG)	CENTER OF GRAVITY		
			X	Y	Z
			IN(mm)	IN(mm)	IN(mm)
4000	2	1245(565)	27.8(706)	39.6(1006)	21.7(551)
	B2	1433(650)	27.3(693)	40.4(1026)	22.3(566)
	C2	1417(643)	30.2(767)	40.3(1024)	22.4(569)
	3	1433(650)	27.3(693)	40.4(1026)	22.3(566)
	B3	1620(735)	29.7(754)	41.1(1044)	22.8(579)
	C3	1600(726)	28.6(726)	40.0(1016)	18.9(480)

H	227333	AE	BK	05/10/10
	SEE ECN			
G	224520	BWM	BWM	9/25/09
	UPDATE NOTE 7.			
F	224423	BK	BK	09/18/09
	SEE ECN			
E	222265	WK	BK	3/19/09
	REMOVE LIFTING BRACKETS			
D	222147	BWM	BWM	3/10/09
	REMOVE LIFTING BRACKETS			
C	221384	TR	BK	1/14/09
	SEE ECN			
B	221214	JPB	JPB	12/29/08
	SEE ECN			
A	220775	BWM	SDH	11/17/08
	SEE ECN			
-	220520	BWM	JPB	10/14/08
	ISSUE			

PROJECT NAME: _____

REV. TO SHEET: _____

EDN NO. _____

BY: _____

APP. _____

DATE _____

OUTLINE

4000/7000 SERIES,ATS,ACTS,ADTS

4000 AMP, G FRAME, OPEN TYPE

THIRD ANGLE PROJECTION

DRAWN BY: BWM	DATE: 10/14/08	MANUFACTURING TOLERANCES TO BE IN ACCORDANCE WITH ASCO PROCEDURE MP-1-003. FOR PLASTIC PARTS SEE MP-1-005	ASSEMB. REF. NO.
CHECKED: JPB	DATE: 10/14/08	PROPERTY OF ASCO POWER TECHNOLOGIES. USE PERMITTED FOR OUR WORK ONLY. ALL RIGHTS OF DESIGN OR INVENTION ARE RESERVED.	SCALE: 1:1 SIZE: DS
APPROVED: JPB	DATE: 10/14/08	ASCO POWER TECHNOLOGIES, LP.	DWG. NO. 844459-001
		FLORHAM PARK, NEW JERSEY 07932 U.S.A.	DRAWING H. REV. H. ECN 227333 SHEET 1 OF 1