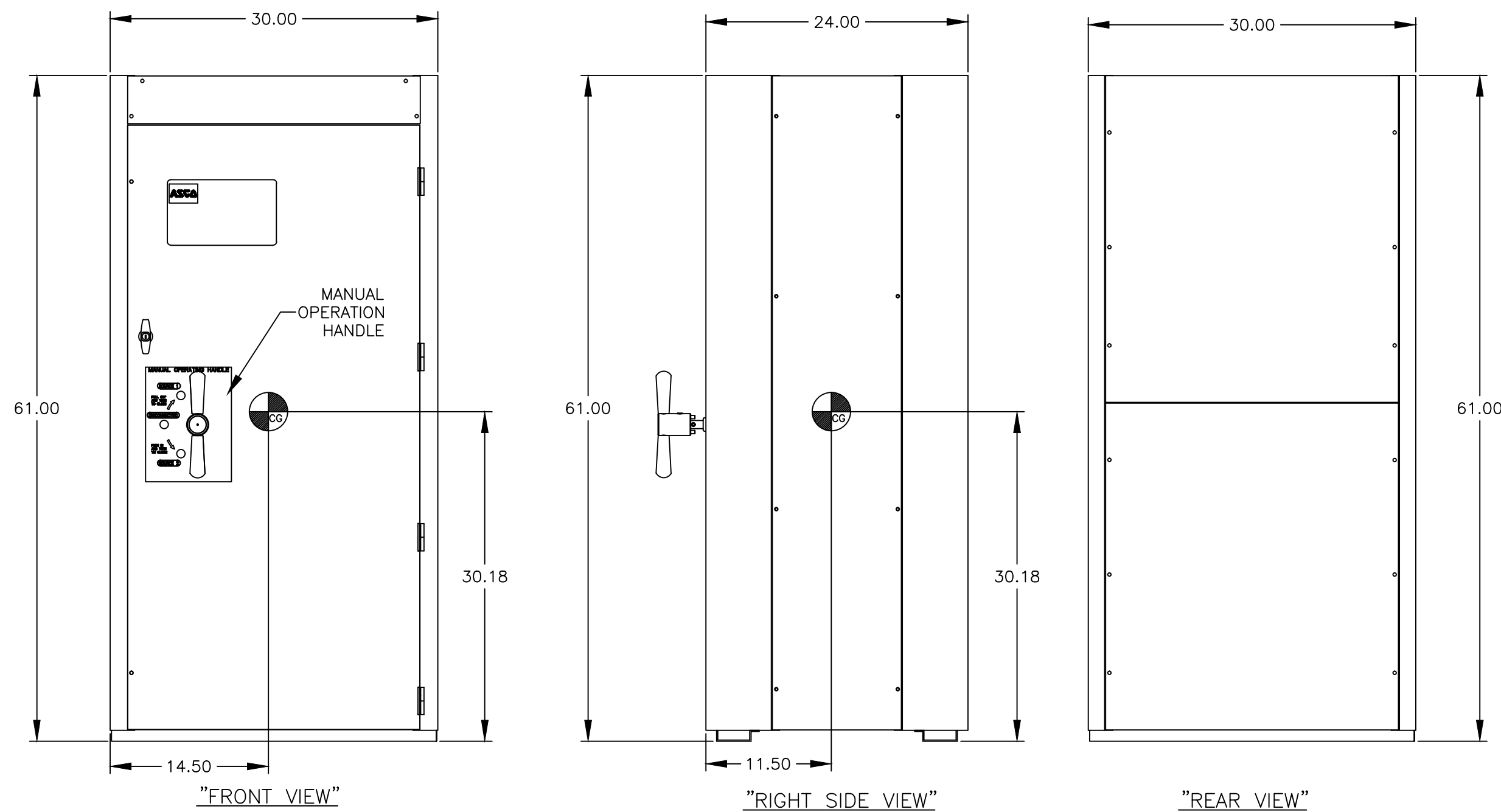


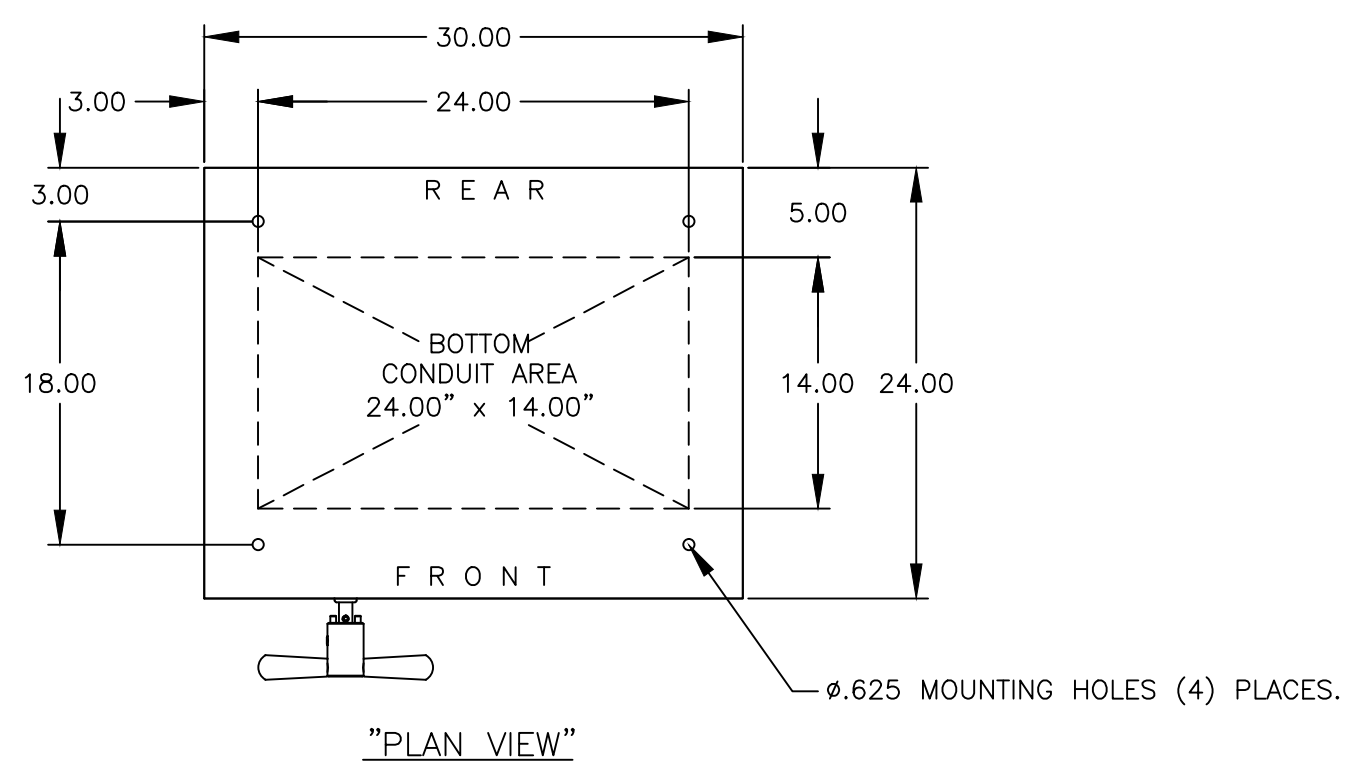
"TOP VIEW"



"FRONT VIEW"

"RIGHT SIDE VIEW"

"REAR VIEW"



"PLAN VIEW"

GENERAL NOTES

- FLOOR MOUNTED ENCLOSURE.
TYPE 1 CONSTRUCTED FROM CODE GAUGE STEEL.
FINISH: ANSI 61 GRAY POLYESTER SEMI GLOSS ELECTROSTATIC POWDER.
- DOORS EQUIPPED WITH KEY LOCKABLE HANDLE AND CAPTIVE SCREWS.
- DESIGNED FOR FRONT & REAR ACCESS.
- RECOMMENDED CLEARANCES: FRONT: 38" REAR: NONE
- CENTER OF GRAVITY
- APPROXIMATE WEIGHT: 680 LBS.

TRANSFER SWITCH, 150A - 400A

- J FRAME TRANSFER SWITCH 150A - 400A.
- TRANSFER SWITCH RATING: 150 AMPS, 200 AMPS, 260 AMPS, 400 AMPS
SHORT CIRCUIT RATING WHEN PROTECTED BY A CIRCUIT BREAKER
TIME RESPONSE, MAXIMUM 0.05 SECONDS:
42,000 RMS SYM @ 480V (SWITCHED AND SOLID NEUTRAL).
35,000 RMS SYM @ 480V (OVERLAPPING NEUTRAL).
- A FULL RATED NEUTRAL CONNECTION FOR EACH SOURCE AND THE LOAD IS OPTIONAL.
WHEN PROVIDED IT IS IN ONE OF THE FOLLOWING FORMATS.
A. SOLID NEUTRAL
B. SWITCHED NEUTRAL POLE
- UL 1008

TERMINATIONS 150A - 400A

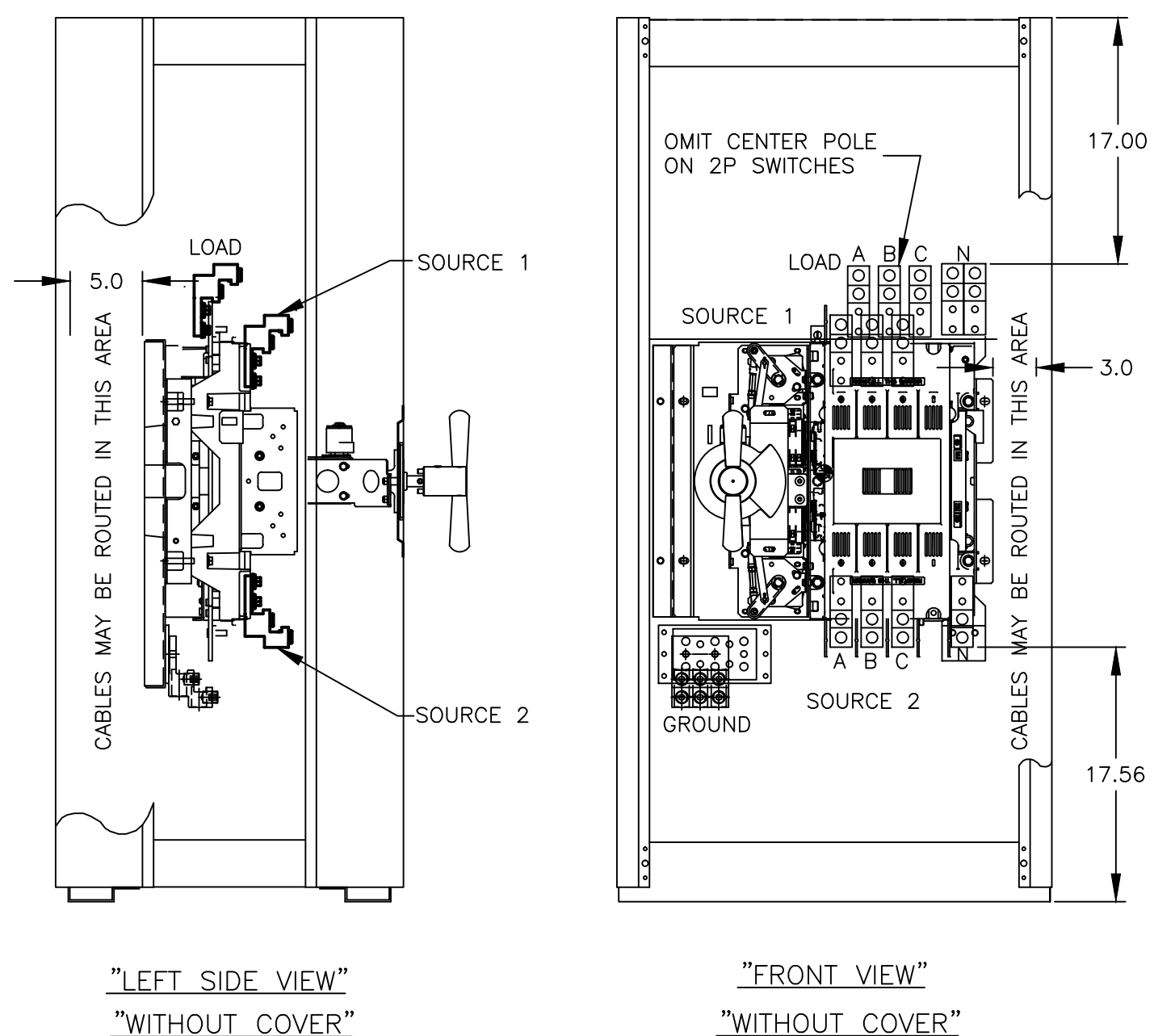
- SUPPLIED WITH MECHANICAL (SCREW TYPE) LUGS FOR CU/AL CABLE.
SOURCE 1: (1) #4 - 600MCM OR (2) 1/0 - 250MCM PER PHASE & NEUTRAL
LOAD: (1) #4 - 600MCM OR (2) 1/0 - 250MCM PER PHASE & NEUTRAL
SOURCE 2: (1) #4 - 600MCM OR (2) 1/0 - 250MCM PER PHASE & NEUTRAL
GROUND: (3) #4 - 600MCM OR (6) 1/0 - 250MCM
A. SUITABLE WIRE BENDING SPACE IS PROVIDED AS PER NEC.
- OPTIONAL LUGS MAY BE SUPPLIED.

TRANSFER SWITCH, 600A

- J FRAME TRANSFER SWITCH 600A.
- TRANSFER SWITCH RATING: 600 AMPS
SHORT CIRCUIT RATING WHEN PROTECTED BY A CIRCUIT BREAKER
42,000 RMS SYM @ 480V (SWITCHED AND SOLID NEUTRAL).
35,000 RMS SYM @ 480V (OVERLAPPING NEUTRAL).
- A FULL RATED NEUTRAL CONNECTION FOR EACH SOURCE AND THE LOAD IS OPTIONAL.
WHEN PROVIDED IT IS IN ONE OF THE FOLLOWING FORMATS.
A. SOLID NEUTRAL
B. SWITCHED NEUTRAL POLE
- UL 1008

TERMINATIONS 600A

- SUPPLIED WITH MECHANICAL (SCREW TYPE) LUGS FOR CU/AL CABLE.
SOURCE 1: (2) 1/0 - 600MCM PER PHASE & NEUTRAL
LOAD: (2) #1/0 - 600MCM PER PHASE & NEUTRAL
SOURCE 2: (2) 1/0 - 600MCM PER PHASE & NEUTRAL
GROUND: (6) #2 - 600MCM
A. SUITABLE WIRE BENDING SPACE IS PROVIDED AS PER NEC.



"LEFT SIDE VIEW"
"WITHOUT COVER"

"FRONT VIEW"
"WITHOUT COVER"

PROJECT NAME:		271047	SG	RN	02/09/18
REV. TO SHEET	ECON. NO.	BY	APP.	DATE	
OUTLINE		MOUNTING			
JMTS, MANUAL TRANSFER SWITCH 150A - 600A					
TYPE 1 61 X 30 X 24					
DRAWN BY	SG	DATE	MANUFACTURING TOLERANCES TO BE IN ACCORDANCE WITH ASCO PROCEDURE MP-1-003. FOR PLASTIC PARTS SEE MP-1-005.		
CHECKED	RN		ASSEM. REF. NO.	COMPUTER GENERATED DRAWING	
PROJECT APPROVAL				SCALE 3/32" = 1" SIZE	DS
FINAL APPROVAL				DWG. NO. 977099-007	
				DRAWING REV. - ECN 271047 SHEET 1 OF 1	
				ASCO® ASCO POWER TECHNOLOGIES, L.P. FLORHAM PARK, NEW JERSEY 07932 U.S.A.	