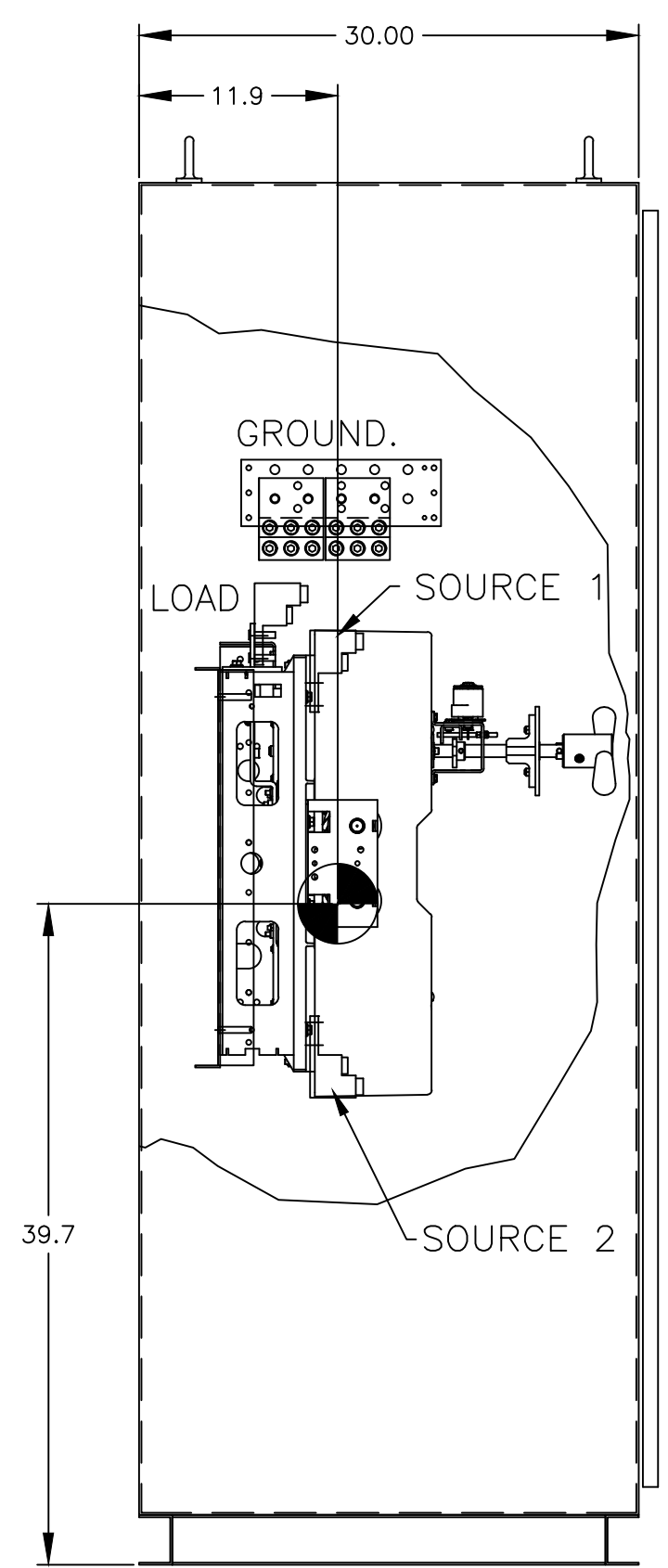
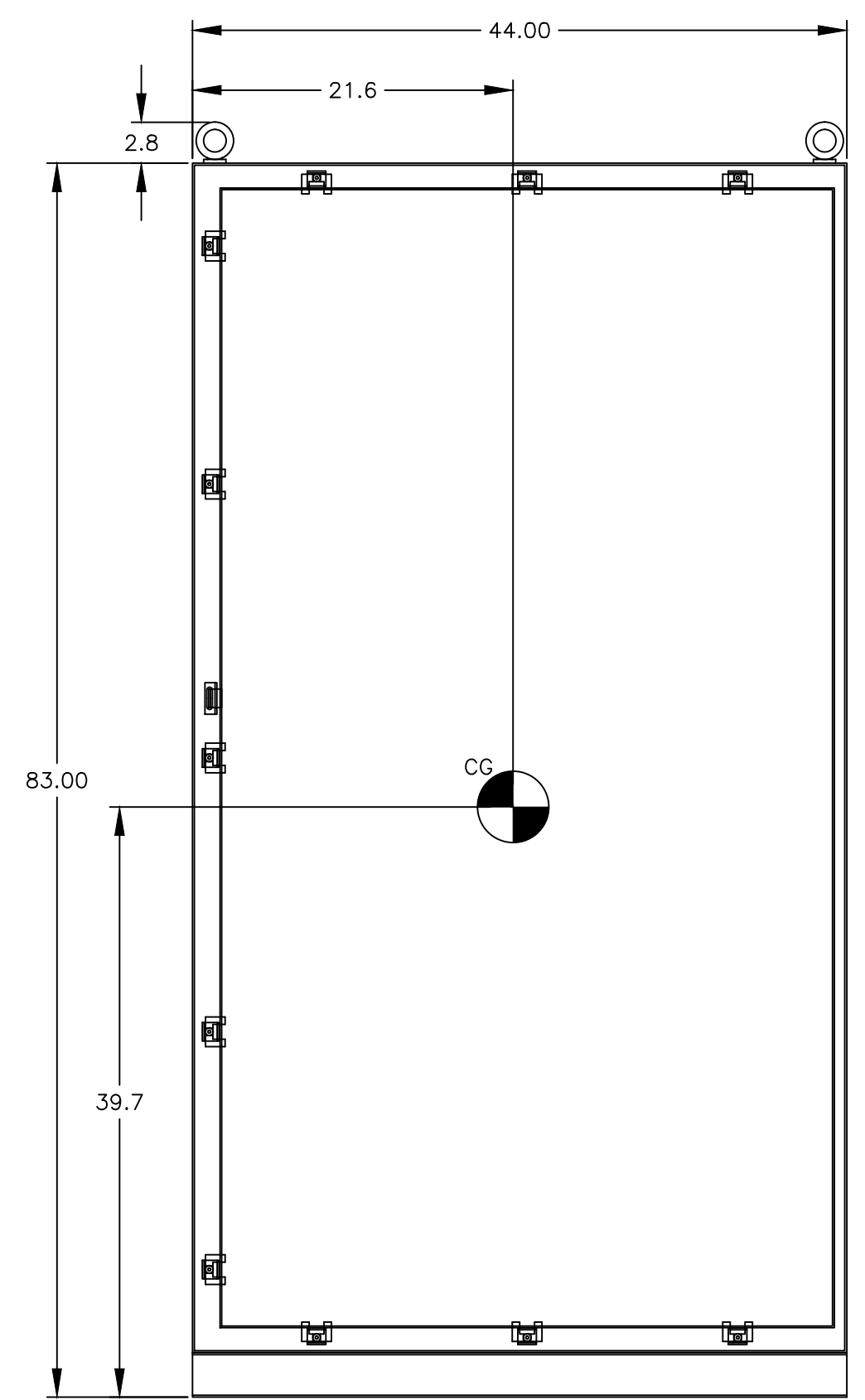


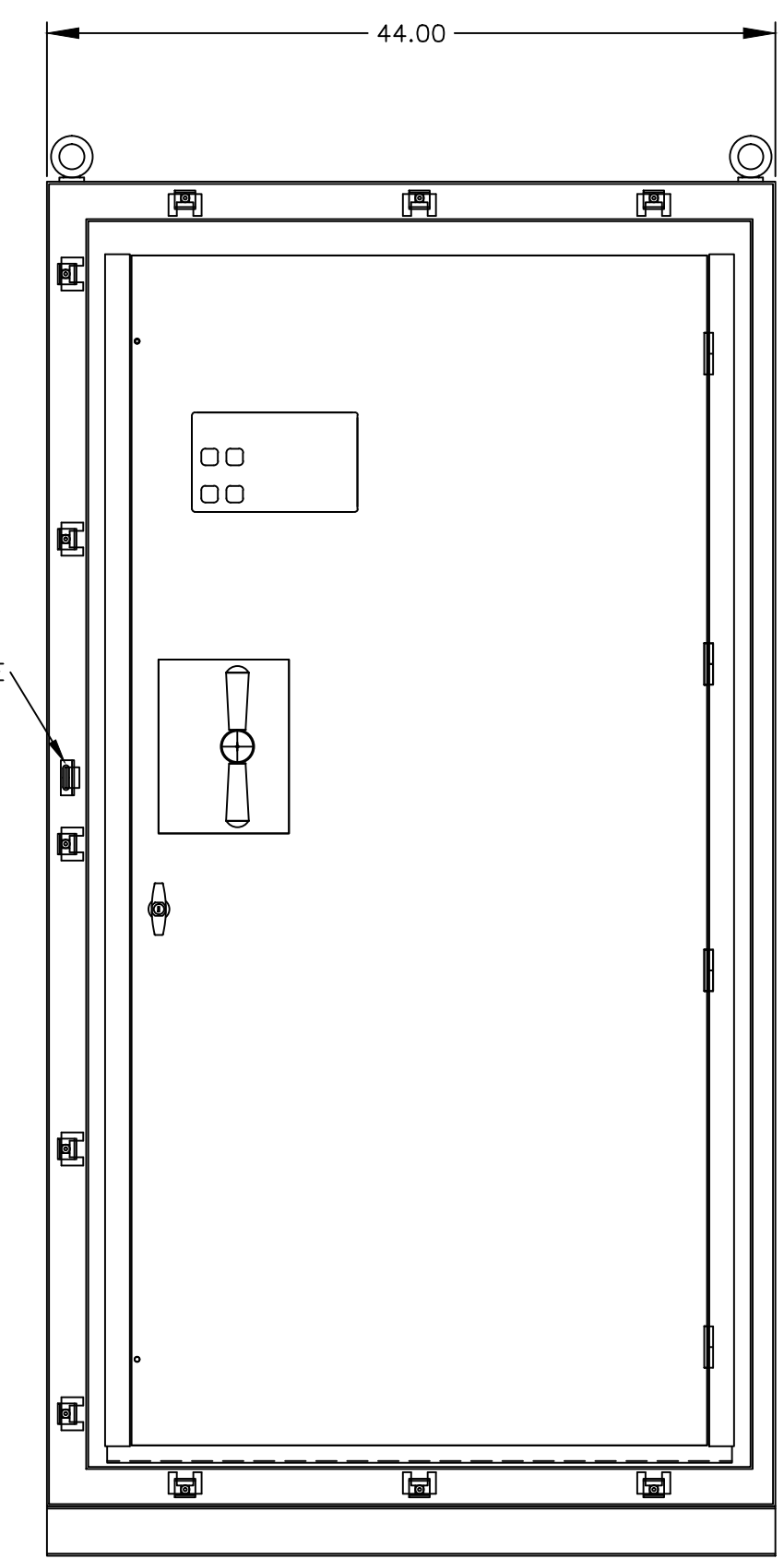
TOP VIEW



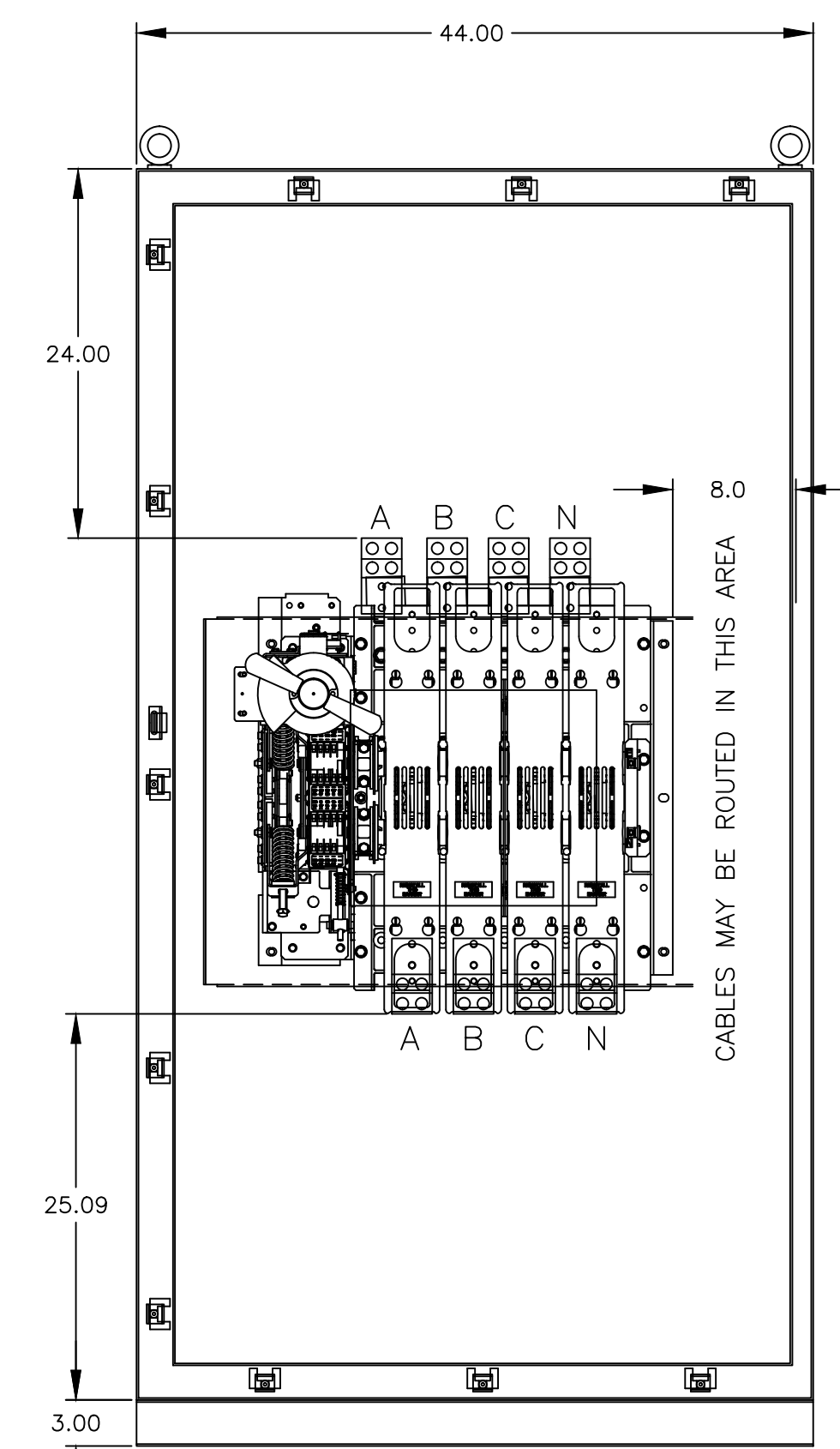
SIDE VIEW



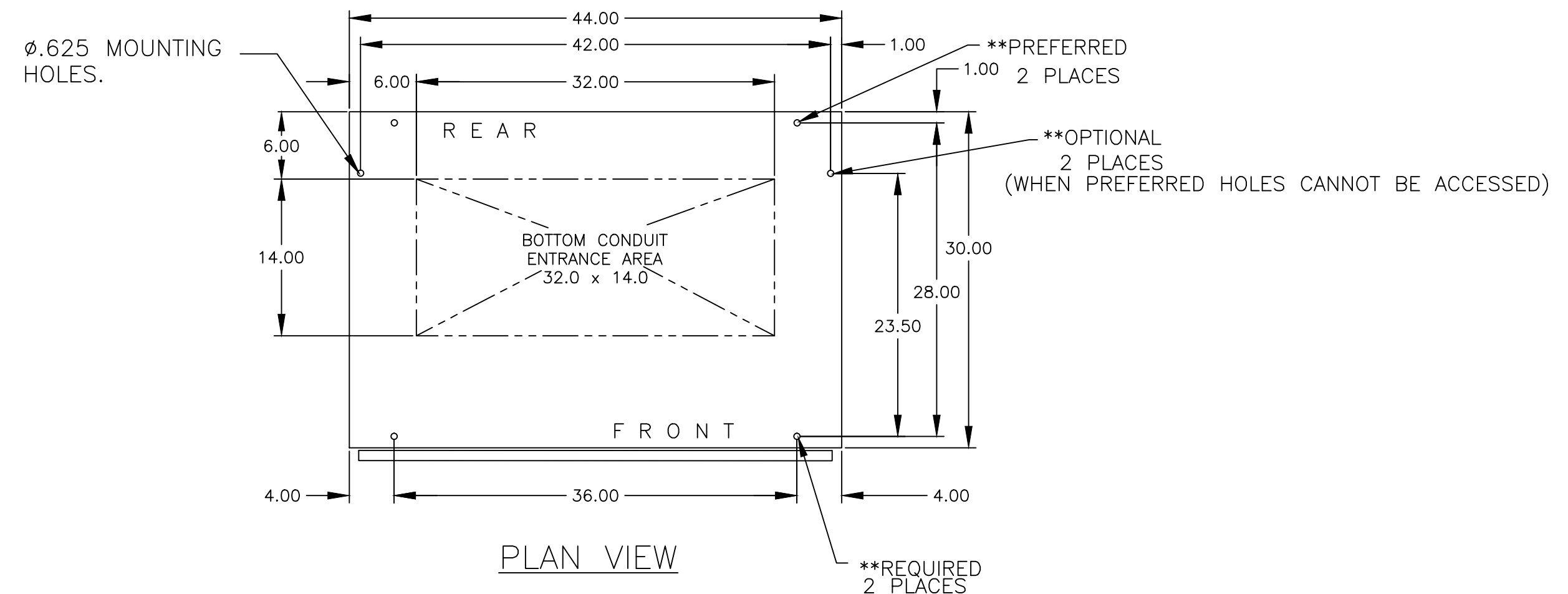
FRONT VIEW



FRONT VIEW WITHOUT OUTSIDE DOOR



FRONT VIEW WITHOUT DOOR



PLAN VIEW

GENERAL NOTES

- FLOOR MOUNTED ENCLOSURE.
TYPE 4 CONSTRUCTED FROM CODE GAUGE STEEL.
FINISH: TYPE 4, ANSI 61 GRAY POLYESTER SEMI GLOSS ELECTROSTATIC POWDER.
TYPE 4X EXTERIOR MANUFACTURED FROM CODE GAUGE STAINLESS STEEL.
(P) EXTERIOR CONSTRUCTED FROM CODE GAUGE TYPE 304 STAINLESS STEEL.
(V) EXTERIOR CONSTRUCTED FROM CODE GAUGE TYPE 316 STAINLESS STEEL.
- EXTERIOR DOORS HAVE PADLOCKABLE HASP & STAPLE.
- DESIGNED FOR FRONT ACCESS.
- RECOMMENDED CLEARANCES:FRONT: 38.00" INCHES, REAR: NONE.
- CENTER OF GRAVITY
- APPROXIMATE WEIGHT: 980 LB.

TRANSFER SWITCH

- H FRAME TRANSFER SWITCH 600A - 1000A.
- TRANSFER SWITCH RATING: 600 AMPS, 800 AMPS, 1000 AMPS.
SHORT CIRCUIT RATING WHEN PROTECTED BY A CIRCUIT BREAKER
TIME RESPONSE, MAXIMUM 0.05 SECONDS: 50,000 RMS SYM @ 480V.
- A FULL RATED NEUTRAL CONNECTION FOR EACH SOURCE AND THE LOAD IS OPTIONAL. WHEN PROVIDED IT IS IN ONE OF THE FOLLOWING FORMATS.
A. SOLID NEUTRAL
B. SWITCHED NEUTRAL POLE
- UL 1008

TERMINATIONS 600A

- SUPPLIED WITH MECHANICAL (SCREW TYPE) LUGS FOR CU/AL CABLE.
SOURCE 1: (2) 1/0 - 600MCM PER PHASE & NEUTRAL
SOURCE 2: (2) 1/0 - 600MCM PER PHASE & NEUTRAL
LOAD: (2) 1/0 - 600MCM PER PHASE & NEUTRAL
GROUND: (6) 1/0 - 600MCM
A. SUITABLE WIRE BENDING SPACE IS PROVIDED AS PER NEC.
- OPTIONAL LUGS MAY BE SUPPLIED.

TERMINATIONS 800A-1000A

- SUPPLIED WITH MECHANICAL (SCREW TYPE) LUGS FOR CU/AL CABLE.
SOURCE 1: (4) 1/0 - 600MCM PER PHASE & NEUTRAL
SOURCE 2: (4) 1/0 - 600MCM PER PHASE & NEUTRAL
LOAD: (4) 1/0 - 600MCM PER PHASE & NEUTRAL
GROUND: (12) 1/0 - 600MCM
A. SUITABLE WIRE BENDING SPACE IS PROVIDED AS PER NEC.
- OPTIONAL LUGS MAY BE SUPPLIED.

PROJECT NAME:		271816 BCG RN [04/03/18]	
REV. TO SHEET	ECN NO.	BY	APP.
OUTLINE		MOUNTING	
HMTS 600A - 1000A			
TYPE 4/4X 80 X 44 X 30			
BY	DATE	MANUFACTURING TOLERANCES TO BE IN ACCORDANCE WITH ASCO PROCEDURE MP-1-003. FOR PLASTIC PARTS SEE MP-1-005	ASSEM. REF. NO.
BY	DATE	PROPERTY OF ASCO POWER TECHNOLOGIES. USE PERMITTED FOR OUR WORK ONLY. ALL RIGHTS OF DESIGN OR INVENTION ARE RESERVED.	SCALE 3/32" = 1" SIZE DS
CHECKED	RN	4/03/18	COMPUTER GENERATED DRAWING
PROJECT APPROVAL			DWG. NO. 977100-007
FINAL APPROVAL			DRAWING REV. - ECN NO. 271816 SHEET 1 OF 1