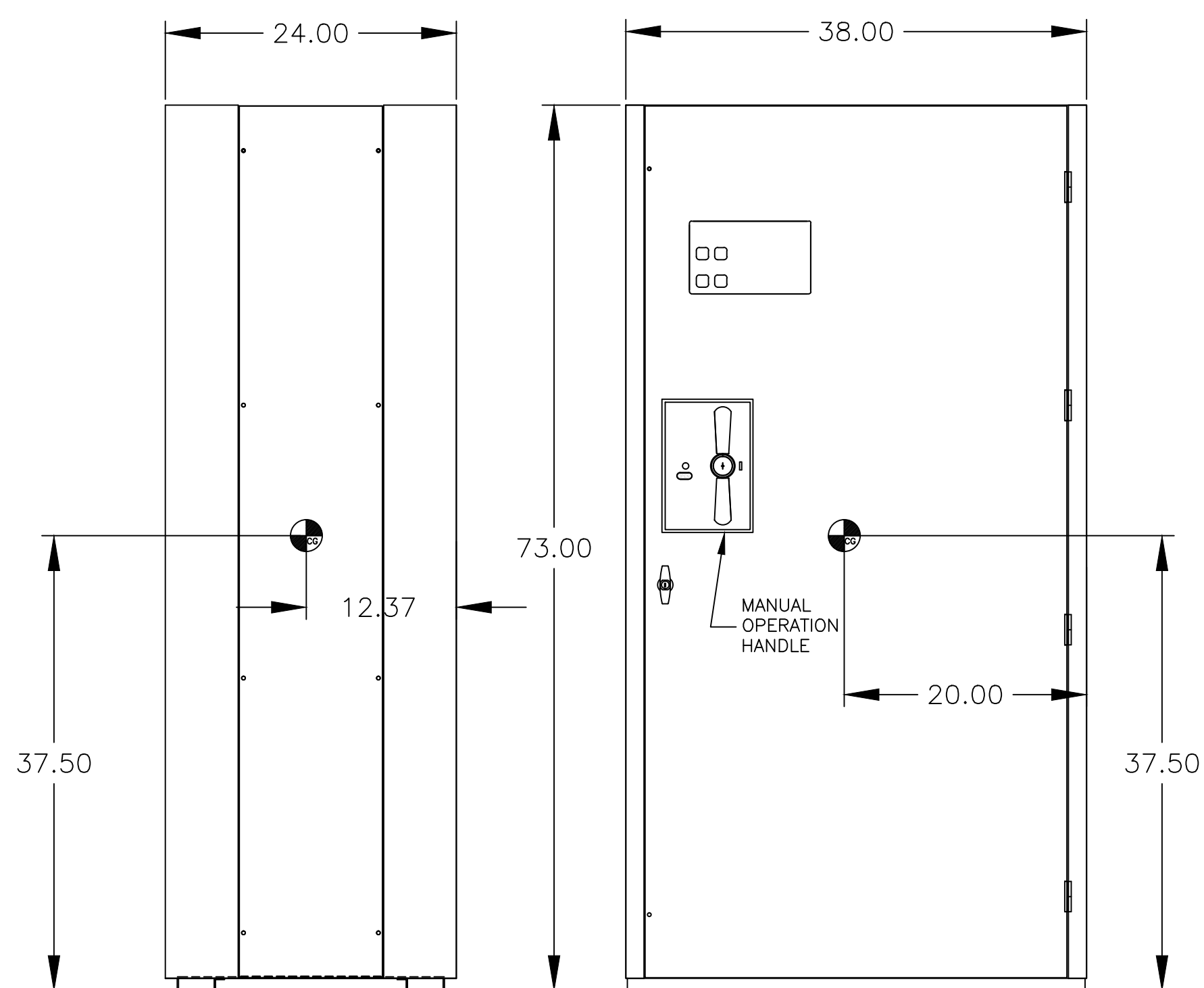
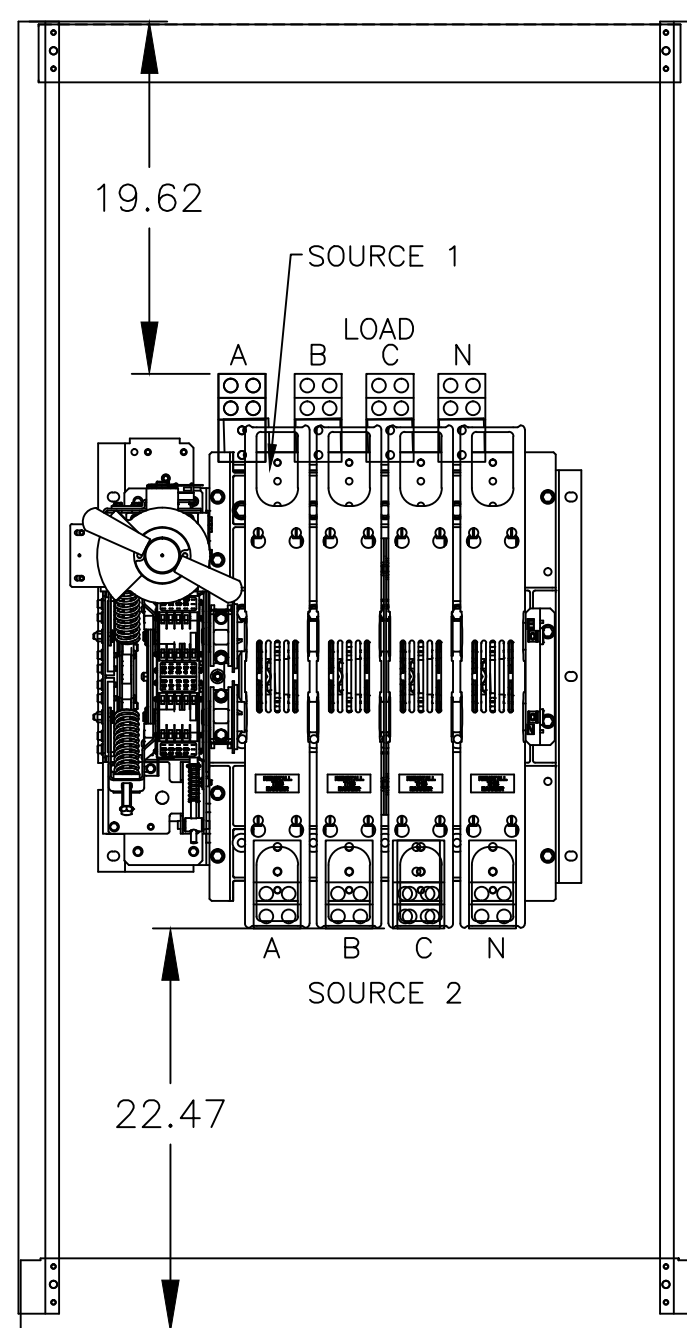


TOP VIEW

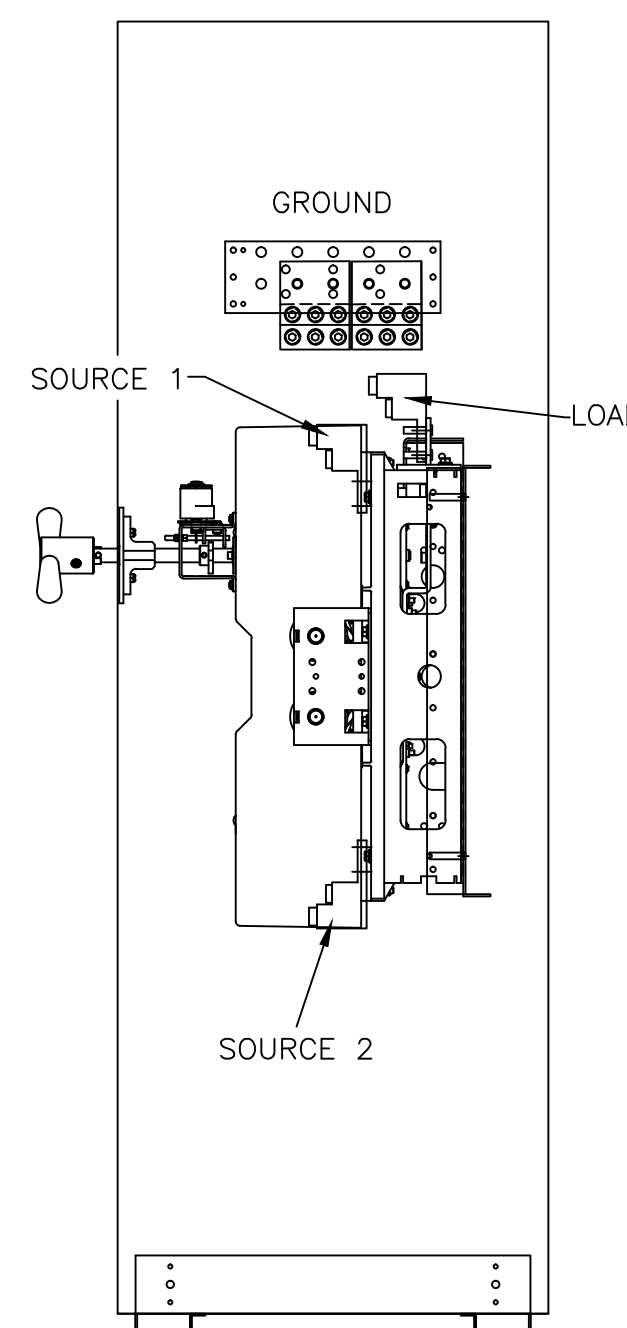


SIDE VIEW

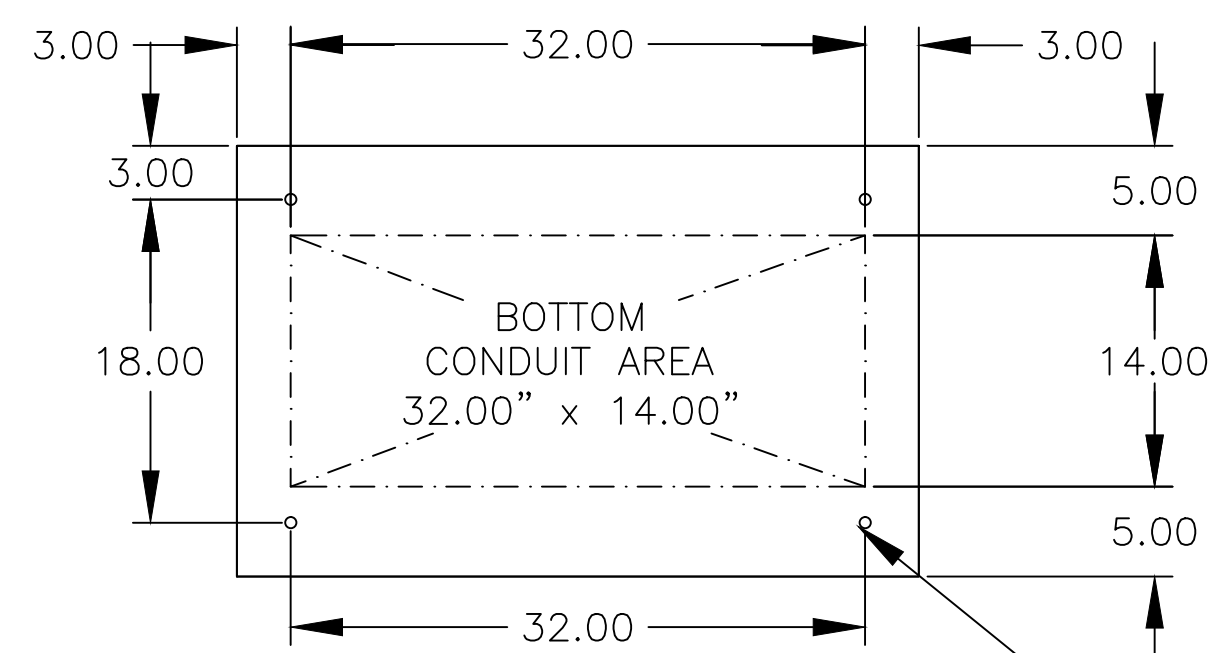
FRONT VIEW



FRONT VIEW  
WITHOUT COVERS



SIDE VIEW  
WITHOUT COVERS



PLAN VIEW

φ.625 MOUNTING HOLES 4 PLACES.

### GENERAL NOTES

1. TYPE 1 ENCLOSURE. FREE STANDING. FLOOR MOUNTED. CODE GAUGE STEEL.
2. DOORS HAVE LOCKABLE HANDLES WITH COMMON KEYING AND CAPTIVE SCREWS.
3. FINISH: ANSI 61 GRAY POLYESTER SEMI GLOSS ELECTROSTATIC POWDER.
4. DESIGNED FOR FRONT ACCESS
5. RECOMMENDED CLEARANCES:  
FRONT: 38 INCHES
6. A FULL RATED NEUTRAL CONNECTION FOR EACH SOURCE AND THE LOAD IS OPTIONAL. WHEN PROVIDED IT IS IN ONE OF THE FOLLOWING FORMATS AS SPECIFIED BY THE CATALOG NO. NEUTRAL TYPE;  
A. SOLID (COPPER BUS)  
B. SWITCH NEUTRAL POLE
7. FOR SPECIFIED TRANSFER SWITCH, REFER TO OPERATOR'S MANUAL PROVIDED WITH UNIT.
8. LIFTING PLATES: SECTIONS ARE SUPPLIED WITH LIFTING PLATES.  
INSPECT PLATES FOR DAMAGE AND TORQUE BOLTS TO 45 FT LBS BEFORE USE.  
REFER TO ANSI/NEMA PB 2.1 FOR PROPER HANDLING OF EQUIPMENT.  
AFTER INSTALLATION OF SECTION, REMOVE LIFTING PLATES.  
REINSTALL BOLTS INTO EXTERIOR HOLES AND TORQUE TO APROX. 20 FT LBS.
9. CENTER OF GRAVITY.
10. APPROXIMATE WEIGHT: 650 LBS

### SPECIFICATIONS

1. SYSTEM RATING: 600-1200 AMPS, 3φ, 4W OR 1φ, 3W.  
SHORT CIRCUIT RATING- 50,000 RMS SYM AMPERES @ 480V.
2. NEUTRAL BUS: 100% RATED.
3. GROUND BUS- 20% RATED.
4. APPLICABLE LABELS: U.L. 1008.

### TERMINATIONS 600 AMPS

1. SUPPLIED WHTH MECHANICAL (SCREW TYPE) LUGS SUITABLE FOR CU/AL CABLE .  
SOURCE 1: (2) 1/0 AWG - 750MCM PER PHASE AND NEUTRAL  
SOURCE 2: (2) 1/0 AWG - 750MCM PER PHASE AND NEUTRAL  
LOAD: (2) 1/0 AWG - 750MCM PER PHASE AND NEUTRAL  
GROUND: (6) 1/0 AWG - 750 MCM  
SUITABLE WIRE BENDING SPACE IS PROVIDED AS PER THE NEC

### TERMINATIONS 800-1200 AMPS

1. SUPPLIED WHTH MECHANICAL (SCREW TYPE) LUGS SUITABLE FOR CU/AL CABLE .  
SOURCE 1: (4) 1/0 AWG - 600MCM PER PHASE AND NEUTRAL  
SOURCE 2: (4) 1/0 AWG - 600MCM PER PHASE AND NEUTRAL  
LOAD: (4) 1/0 AWG - 600MCM PER PHASE AND NEUTRAL  
GROUND: (12) 1/0 AWG - 750 MCM  
SUITABLE WIRE BENDING SPACE IS PROVIDED AS PER THE NEC

B	270995	SY	RN	02/09/18
SEE ECN				
A	268675	LY		8/21/17
SEE ECN				
-	261464	LY		6/7/16
ISSUE				

PROJECT NAME:		REV. TO SHEET	ECN NO.	BY	APP.	DATE
OUTLINE		MOUNTING				
HMTS 600A - 1200A						
TYPE 1 73 X 38 X 24						
BY	DATE	MANUFACTURING TOLERANCES TO BE IN ACCORDANCE WITH ASCO PROCEDURE MP-1-003. FOR PLASTIC PARTS SEE MP-1-005		ASSEM. REF. NO.	SCALE 3/32" = 1" SIZE DS	
DRAWN BY	LY	8/21/17			COMPUTER GENERATED DRAWING	
CHECKED					PROPERTY OF ASCO POWER TECHNOLOGIES. USE PERMITTED FOR OUR WORK ONLY. ALL RIGHTS OF DESIGN OR INVENTION ARE RESERVED.	
PROJECT APPROVAL					DWG. NO. 977100-001	
FINAL APPROVAL					DRAWING B ECN NO. 270995 SHEET 1 OF 1	
					ASCO® ASCO POWER TECHNOLOGIES, L.P. FLOHAM PARK, NEW JERSEY 07932 U.S.A.	