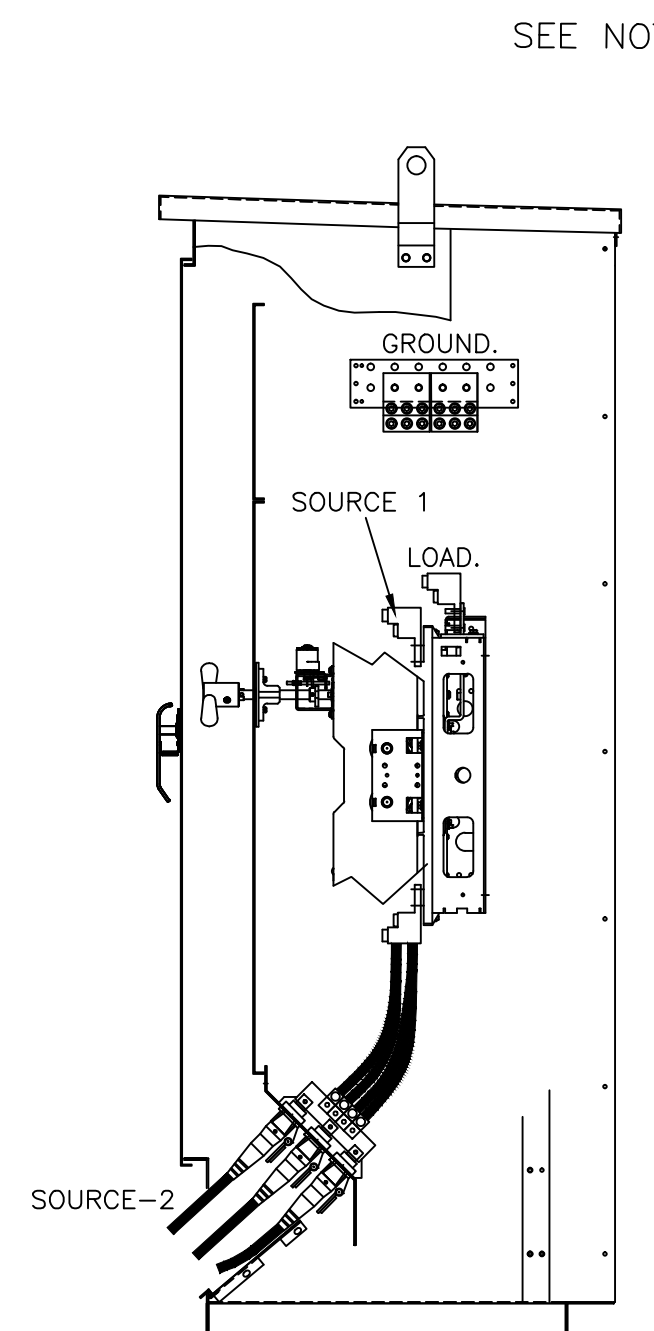
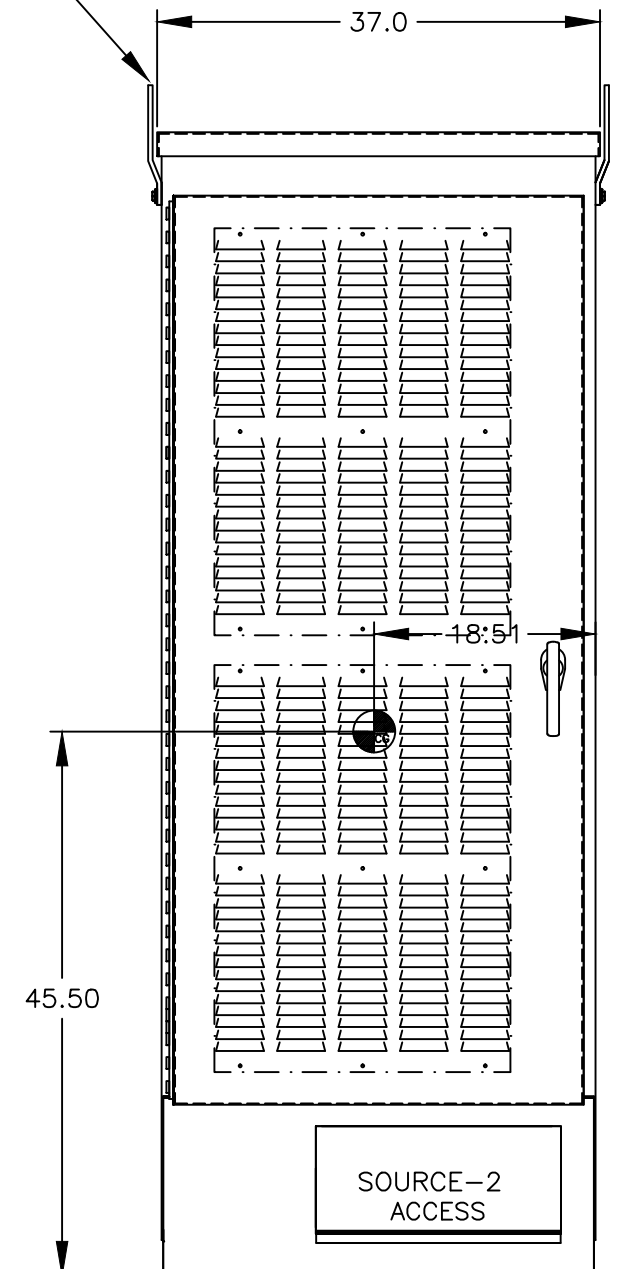


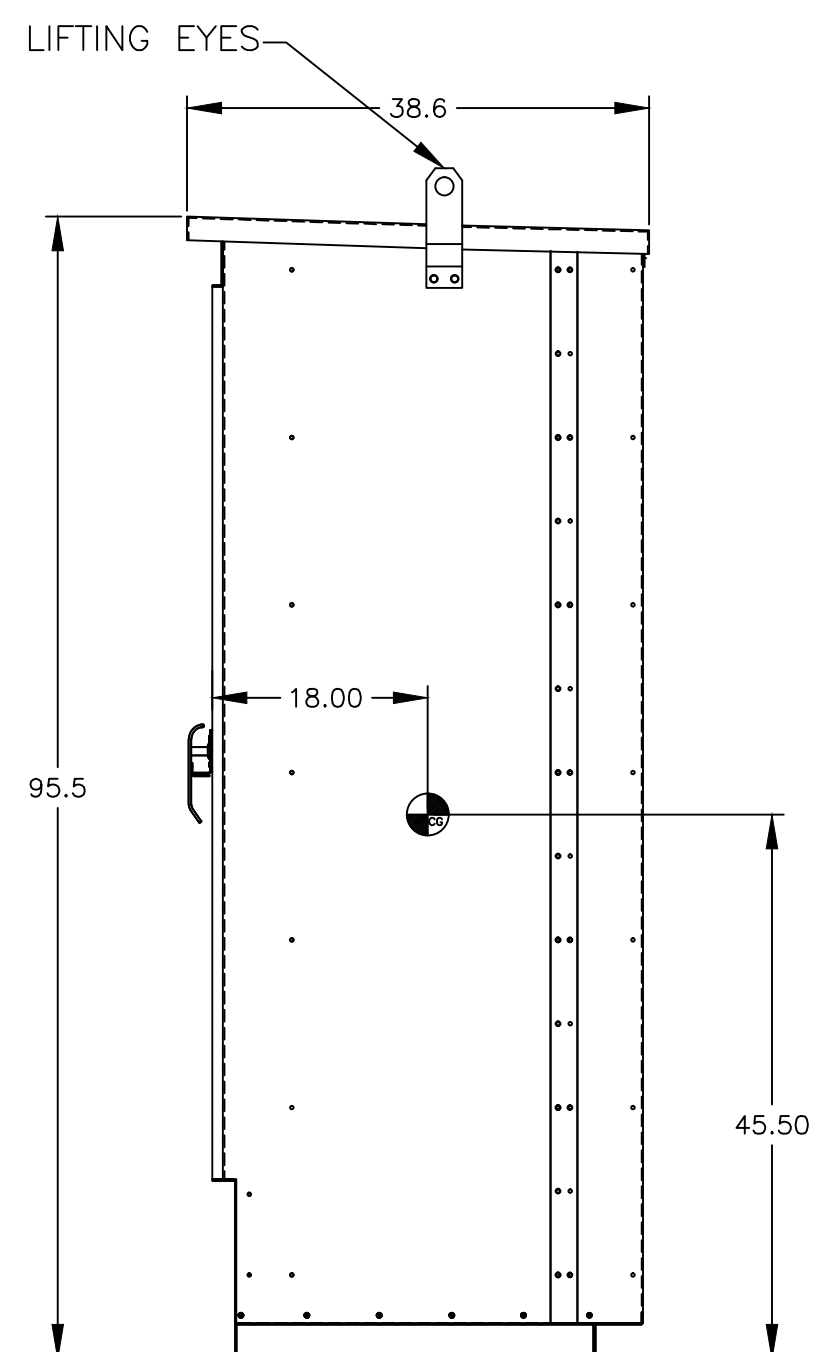
TOP VIEW



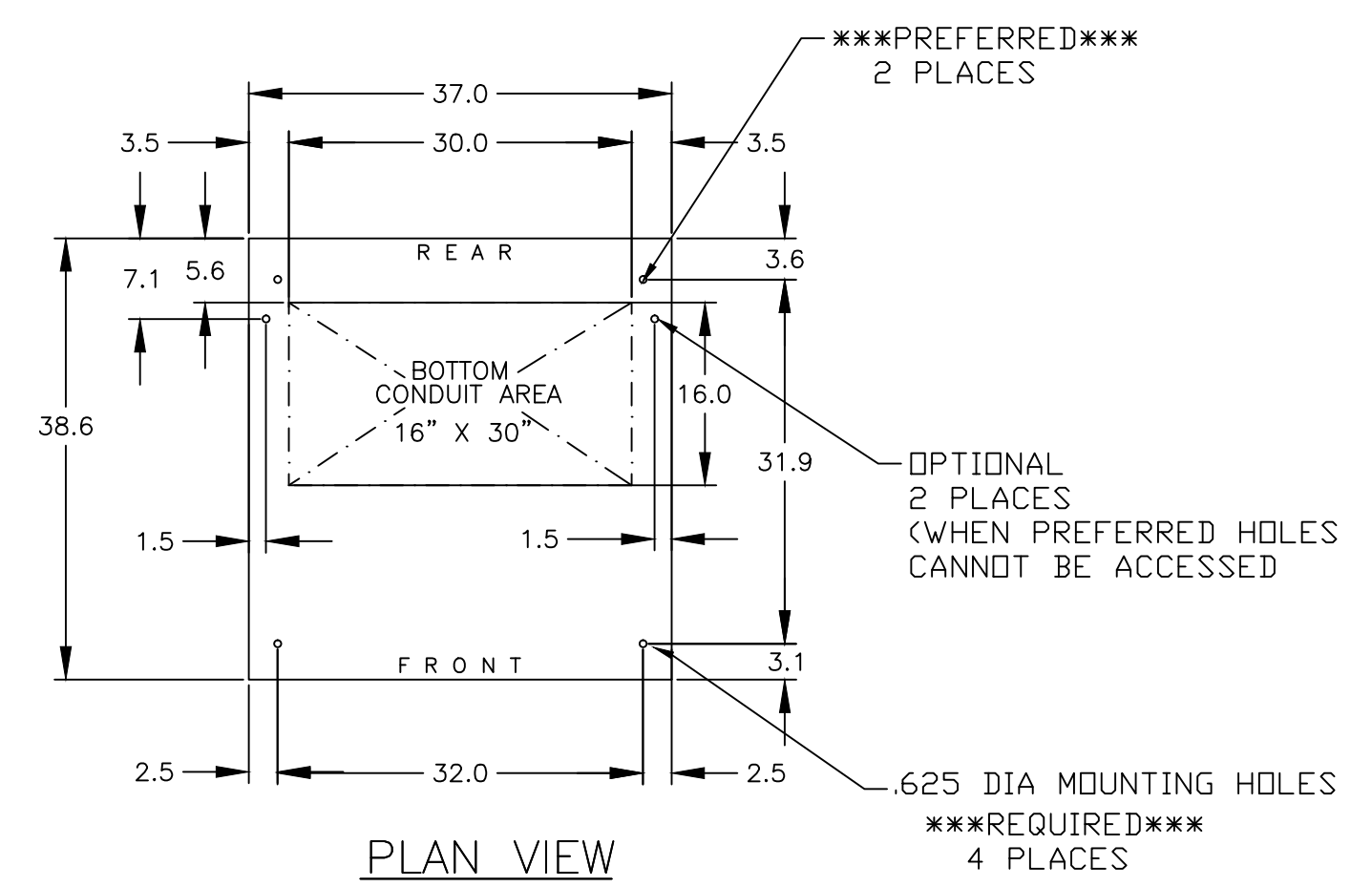
RIGHT SIDE



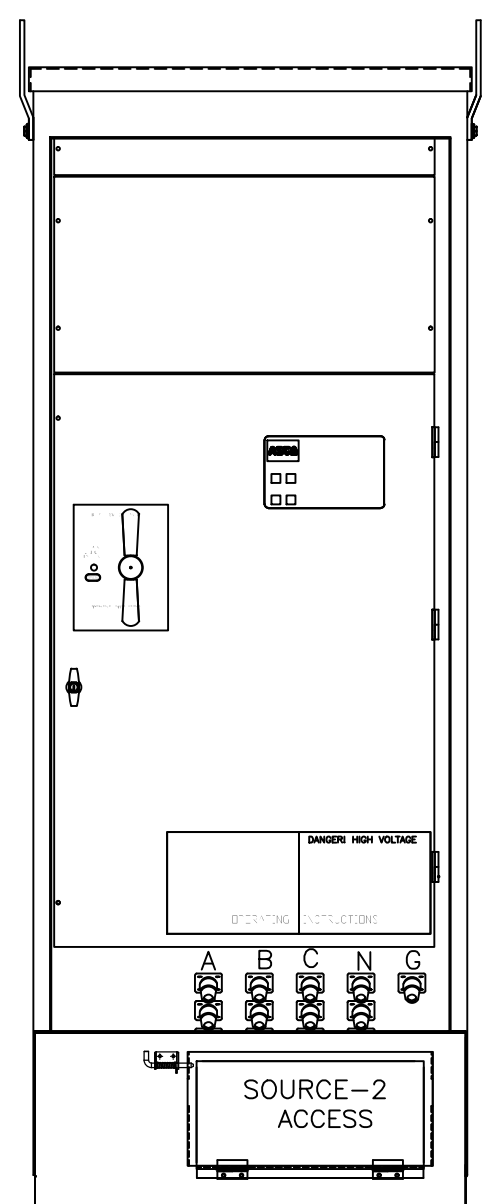
FRONT VIEW



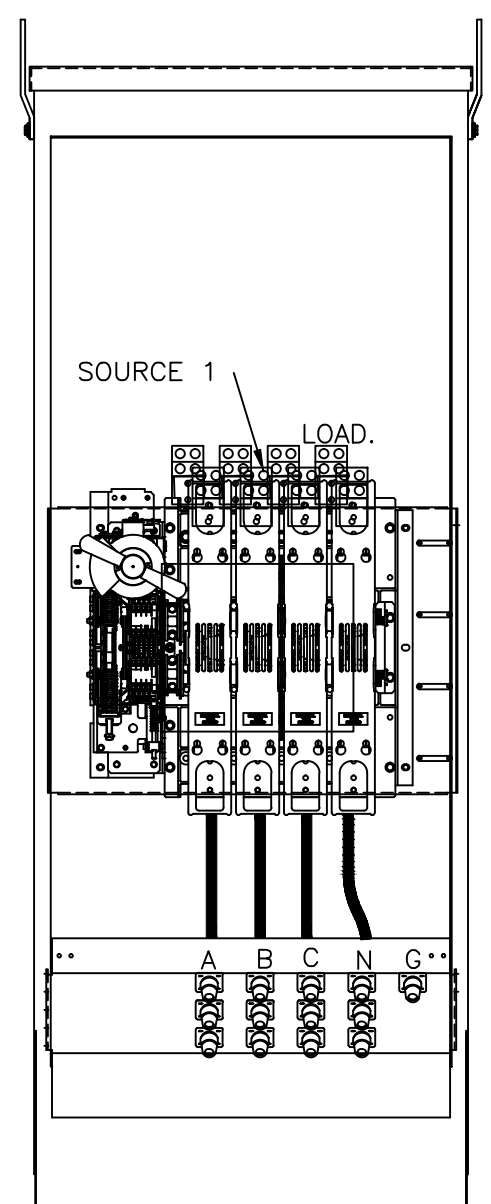
RIGHT SIDE VIEW



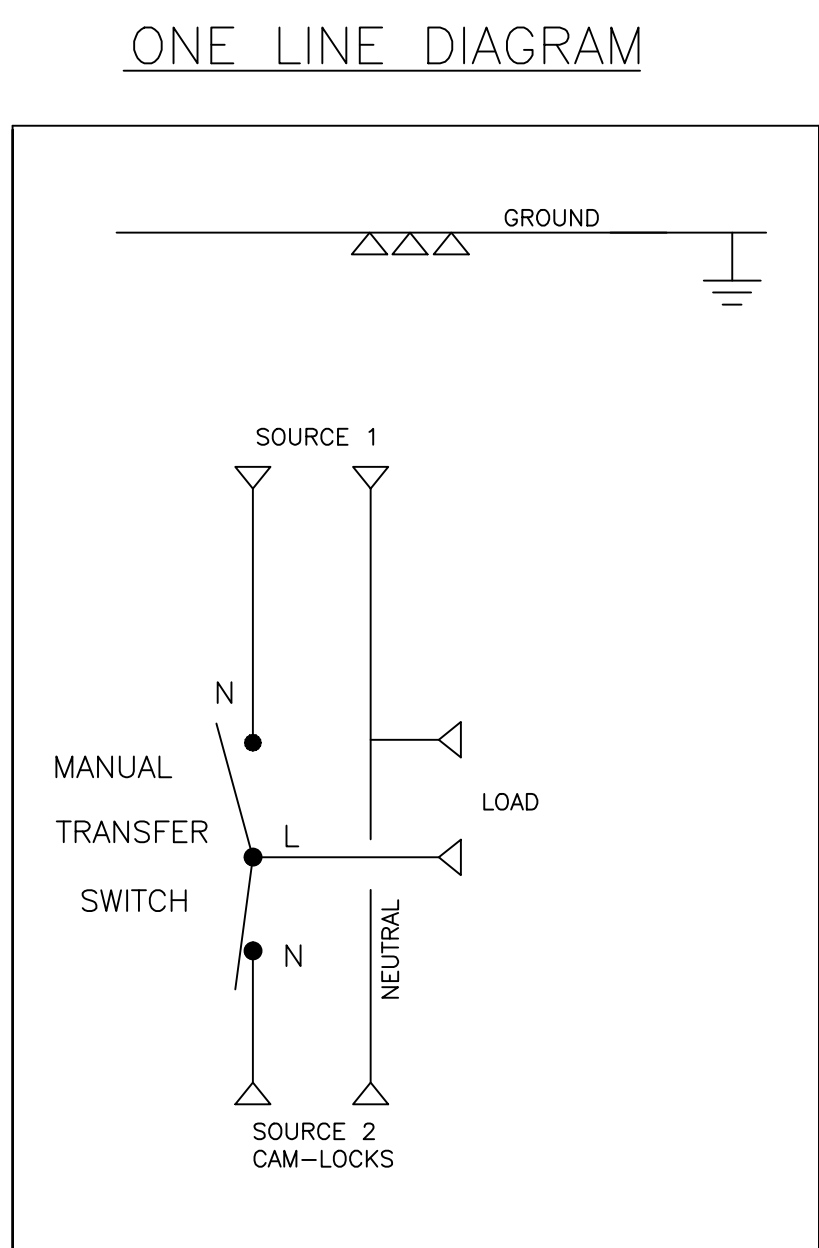
PLAN VIEW



FRONT VIEW WITH COVERS



FRONT VIEW W/O COVERS



(SHOWN SOLID NEUTRAL)

GENERAL NOTES

- TYPE 3R ENCLOSURE. FREE STANDING. FLOOR MOUNTED. CODE GAUGE STEEL.
- EXTERIOR DOORS HAVE PADLOCKABLE HANDLE WITH 3 POINT LATCH.
- FINISH: TYPE 3R: ANSI 61 GRAY POLYESTER SEMI GLOSS ELECTROSTATIC POWDER.
TYPE 3RX(R) - EXTERIOR CONSTRUCTED OF CODE GAUGE TYPE 304 STAINLESS STEEL.
TYPE 3RX(S) - EXTERIOR CONSTRUCTED OF CODE GAUGE TYPE 316 STAINLESS STEEL
- RECOMMENDED CLEARANCES:
FRONT: 38 INCHES
- ALL BUS IS SILVER-PLATED COPPER, BASED ON 1000A PER SQ. IN. DENSITY.
- A FULL RATED NEUTRAL CONNECTION FOR EACH SOURCE AND THE LOAD IS OPTIONAL. WHEN PROVIDED IT IS IN ONE OF THE FOLLOWING FORMATS AS SPECIFIED BY THE CATALOG NO. NEUTRAL TYPE;
A. SOLID (COPPER BUS) NEUTRAL.
B. SWITCH (COPPER BUS) NEUTRAL.
- DESIGNED FOR FRONT ACCESS
- FOR SPECIFIED TRANSFER SWITCH, REFER TO OPERATOR'S MANUAL PROVIDED WITH UNIT.
- LIFTING PLATES: SECTIONS ARE SUPPLIED WITH LIFTING PLATES.
INSPECT PLATES FOR DAMAGE AND TORQUE BOLTS TO 45 FT LBS BEFORE USE.
REFER TO ANSI/NEMA PB 2.1 FOR PROPER HANDLING OF EQUIPMENT.
AFTER INSTALLATION OF SECTION, REMOVE LIFTING PLATES.
REINSTATE BOLTS INTO EXTERIOR HOLES AND TORQUE TO APROX. 20 FT LBS.
- CENTER OF GRAVITY.
- APPROXIMATE WEIGHT: 1250 LBS
- EXTERIOR VENTS ARE SUPPLIED WITH POLYESTER DUST FILTERS.

SPECIFICATIONS

- SYSTEM RATING: 1000-1200 AMPS, 3 ϕ , 4W OR 1 ϕ , 3W.
SHORT CIRCUIT RATING- SOURCE-1: 65,000 RMS SYM AMPERES @ 480V.
SOURCE-2: 22,000 RMS SYM AMPERES @ 480V
- NEUTRAL BUS: 100% RATED.
- GROUND BUS: 20% RATED.
- APPLICABLE LABELS: U.L. 891

TERMINATIONS 1000-1200 AMPS

- SUPPLIED WITH MECHANICAL (SCREW TYPE) LUGS SUITABLE FOR CU/AL CABLE .
SOURCE 1: (4) #2 AWG - 600MCM PER PHASE & NEUTRAL
LOAD: (4) #2 AWG - 600MCM PER PHASE & NEUTRAL
SOURCE 2: (3) 1016 SERIES SINGLE POLE CAM LOCK MALE RECEPTALS PER PHASE & NEUTRAL
GROUND: (12) 1/0 -600MCM

SUITABLE WIRE BENDING SPACE IS PROVIDED AS PER THE NEC
- CONSULT FACTORY FOR OTHER TERMINATION REQUIREMENTS.

D	274593	BCG	RN	9/13/18
C	271832	LY	RN	4/9/18
B	271832	LY	RN	4/4/18
A	270995	SY	RN	02/12/18
-	267536	LY	RN	6/12/17

PROJECT NAME:		REV. TO SHEET	ECN NO.	BY	APP.	DATE
OUTLINE		MOUNTING				
HMTQ 1000-1200A, SOURCE 1 ,CAMLOCKS ON SOURCE 2						
TYPE 3R/3RX 96 X 37 X 39						
BY	DATE	MANUFACTURING TOLERANCES TO BE IN ACCORDANCE WITH ASCO PROCEDURE MP-1-003. FOR PLASTIC PARTS SEE MP-1-055		ASSEM. REF. NO.	COMPUTER GENERATED DRAWING	
DRAWN BY	LY	6/12/17			SCALE 1/16" = 1" SIZE DS	
CHECKED	RN				DWG. NO.	
PROJECT APPROVAL					977100-004	
FINAL APPROVAL					ASCO POWER TECHNOLOGIES, L.P. FLORHAM PARK, NEW JERSEY 07932 U.S.A.	
DRAWING D		ECN NO.	274593	SHEET		1 OF 1