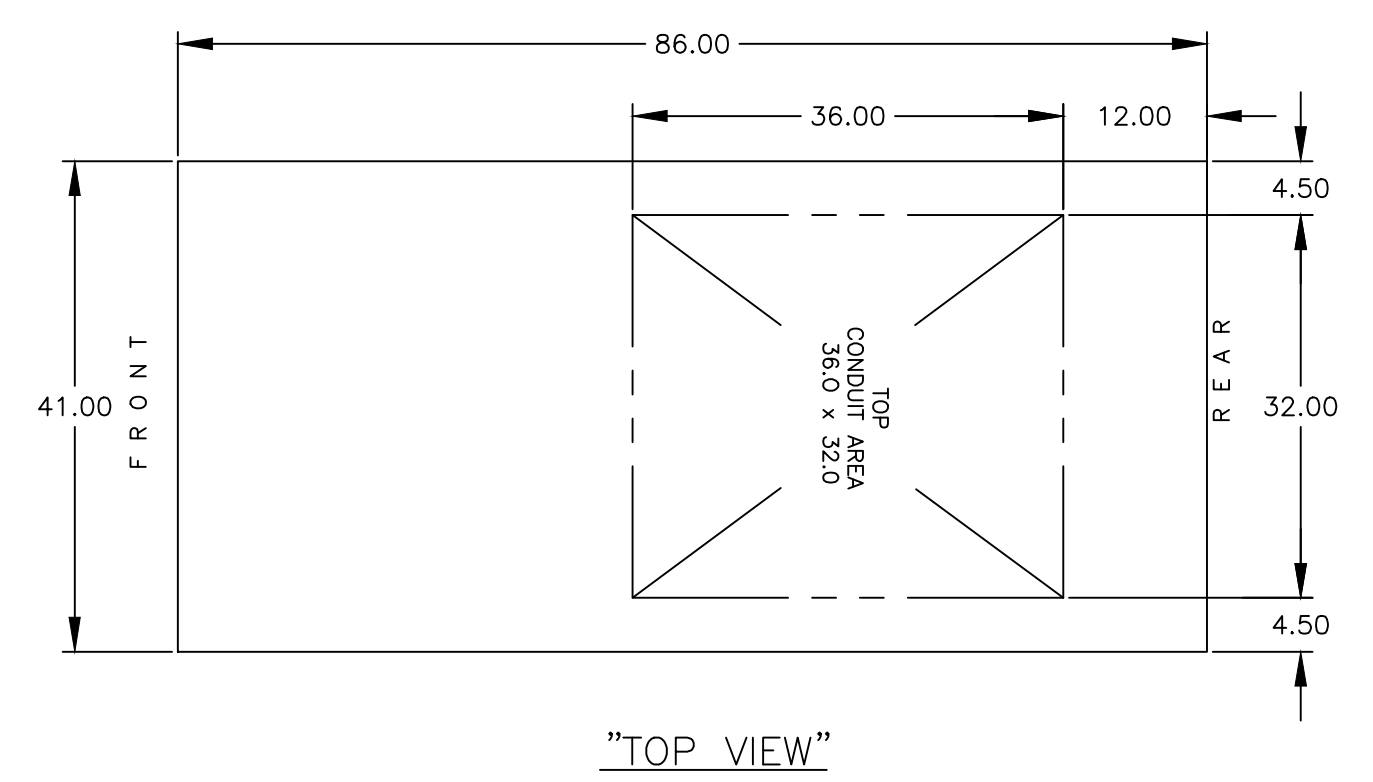


8 7 6 5 4 3 2 1

D

D



GENERAL NOTES

- FLOOR MOUNTED ENCLOSURE.
TYPE 3R CONSTRUCTED FROM CODE GAUGE STEEL.
FINISH: TYPE 3R, ANSI 61 GRAY POLYESTER SEMI GLOSS ELECTROSTATIC POWDER.
TYPE 3RX EXTERIOR CONSTRUCTED FROM CODE GAUGE STAINLESS STEEL.
(R) EXTERIOR CONSTRUCTED FROM TYPE 304 STAINLESS STEEL.
(S) EXTERIOR CONSTRUCTED FROM TYPE 316 STAINLESS STEEL.
- EXTERIOR DOORS HAVE PADLOCKABLE HANDLES WITH 3-POINT LATCH.
- DESIGNED FOR FRONT ACCESS & REAR ACCESS.
- RECOMMENDED CLEARANCES: FRONT: 38" REAR: 36".
- EXTERIOR VENTS ARE SUPPLIED WITH POLYESTER DUST FILTERS.
- CENTER OF GRAVITY
- APPROXIMATE WEIGHT: 2000 LBS.
- LIFTING PLATES: SECTIONS ARE SUPPLIED WITH LIFTING PLATES. INSPECT PLATES FOR DAMAGE AND TORQUE BOLTS TO 45 FT LBS BEFORE USE. REFER TO ANSI/NEMA PB 2.1 FOR PROPER HANDLING OF EQUIPMENT. AFTER INSTALLATION OF SECTION, REMOVE LIFTING PLATES. REINSTALL BOLTS INTO EXTERIOR HOLES AND TORQUE TO APPROXIMATELY 20 FT LBS.

TRANSFER SWITCH

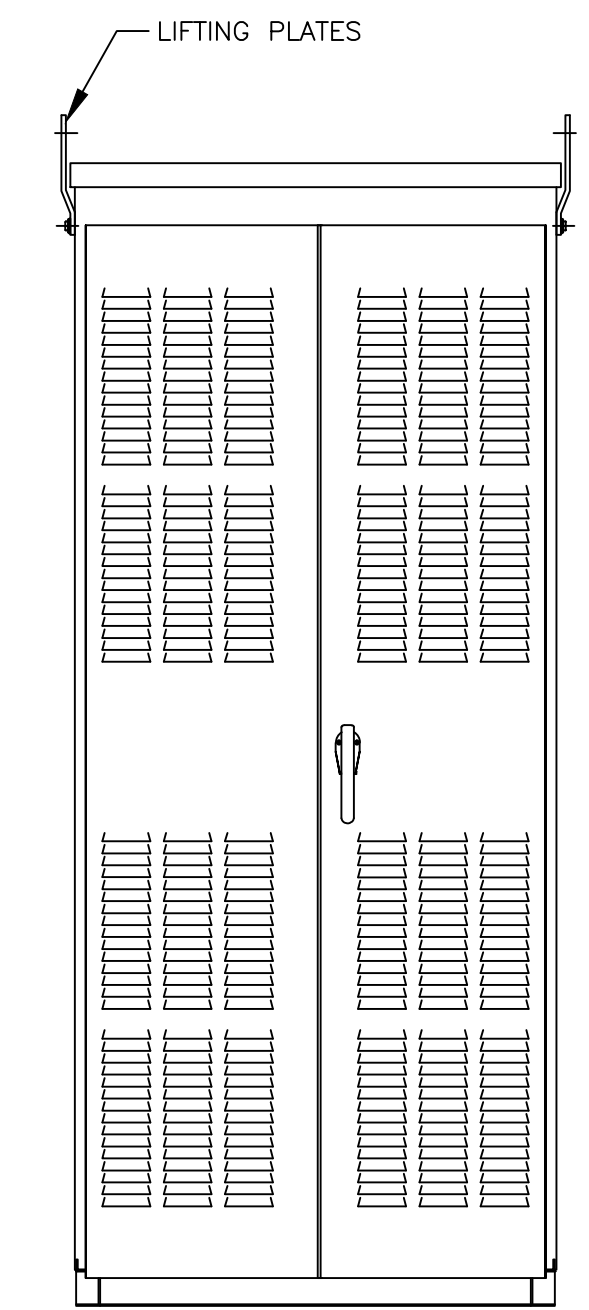
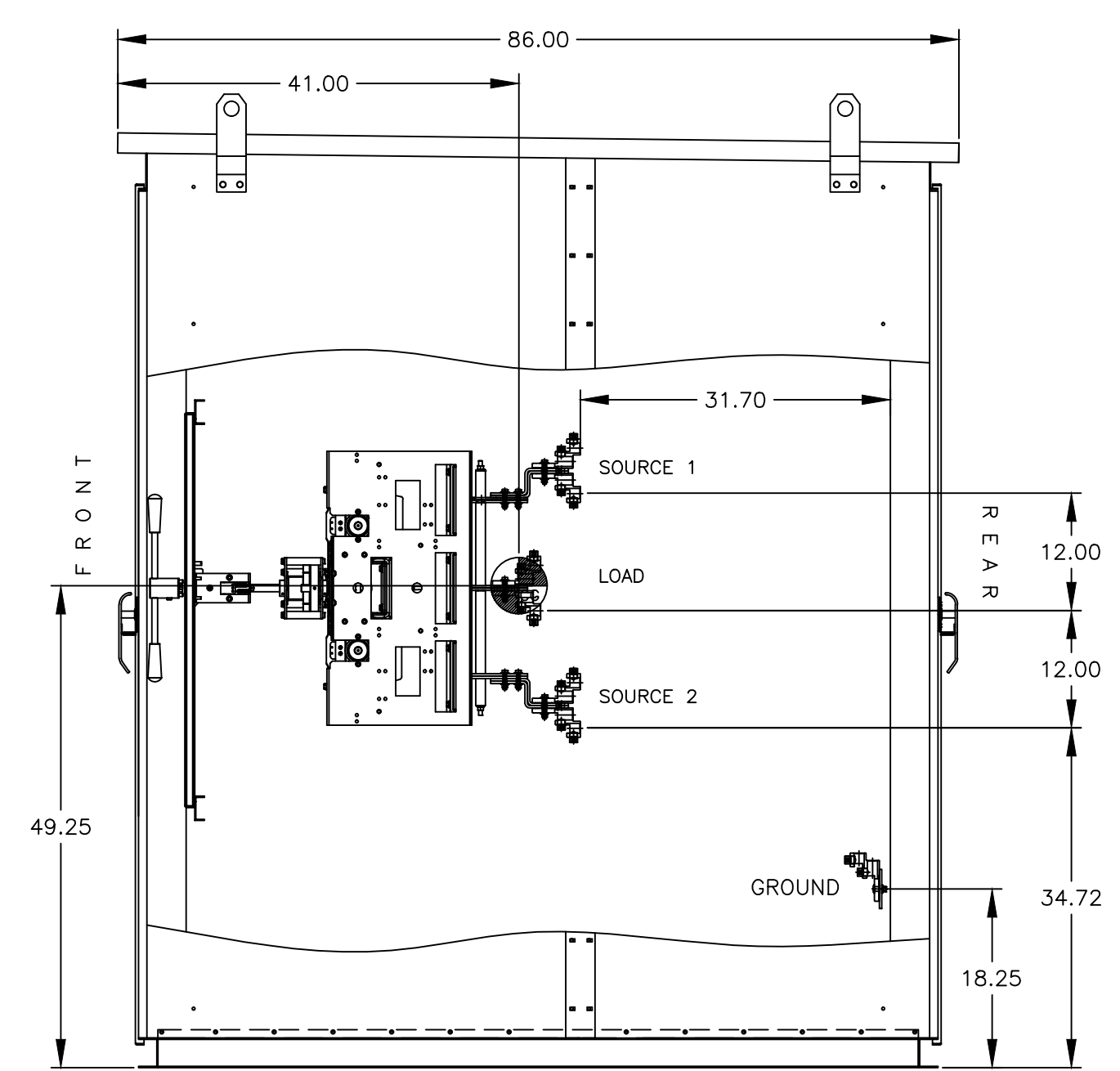
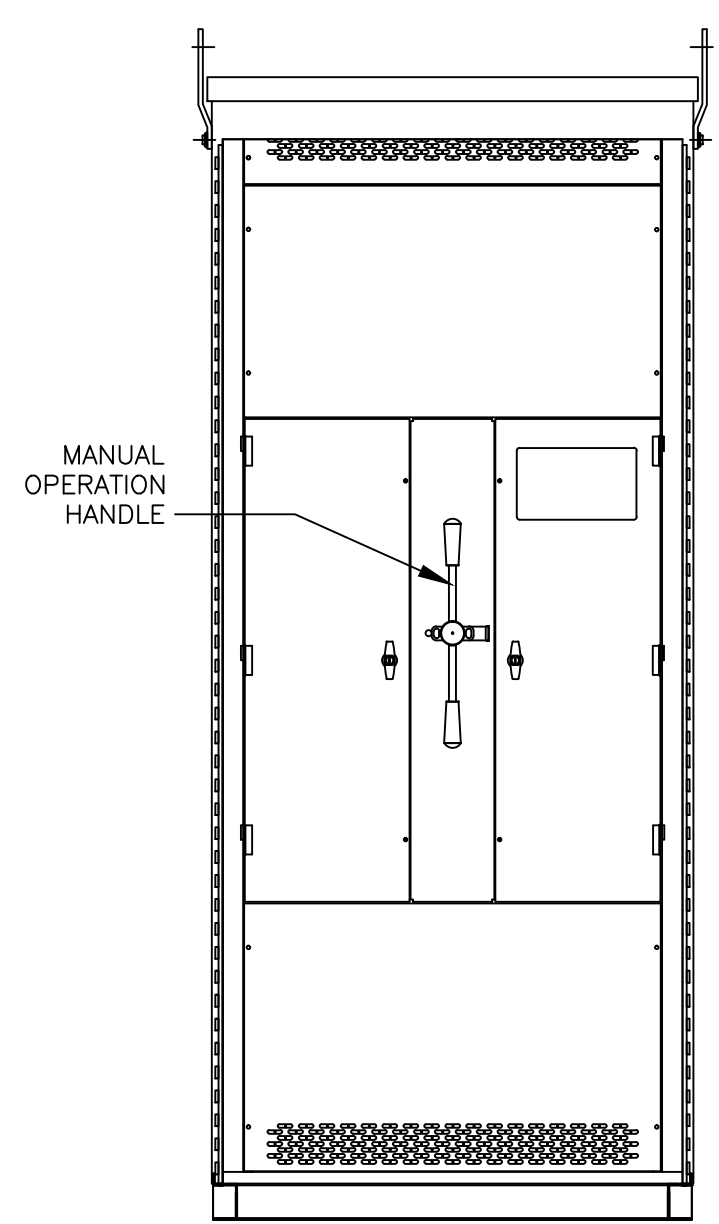
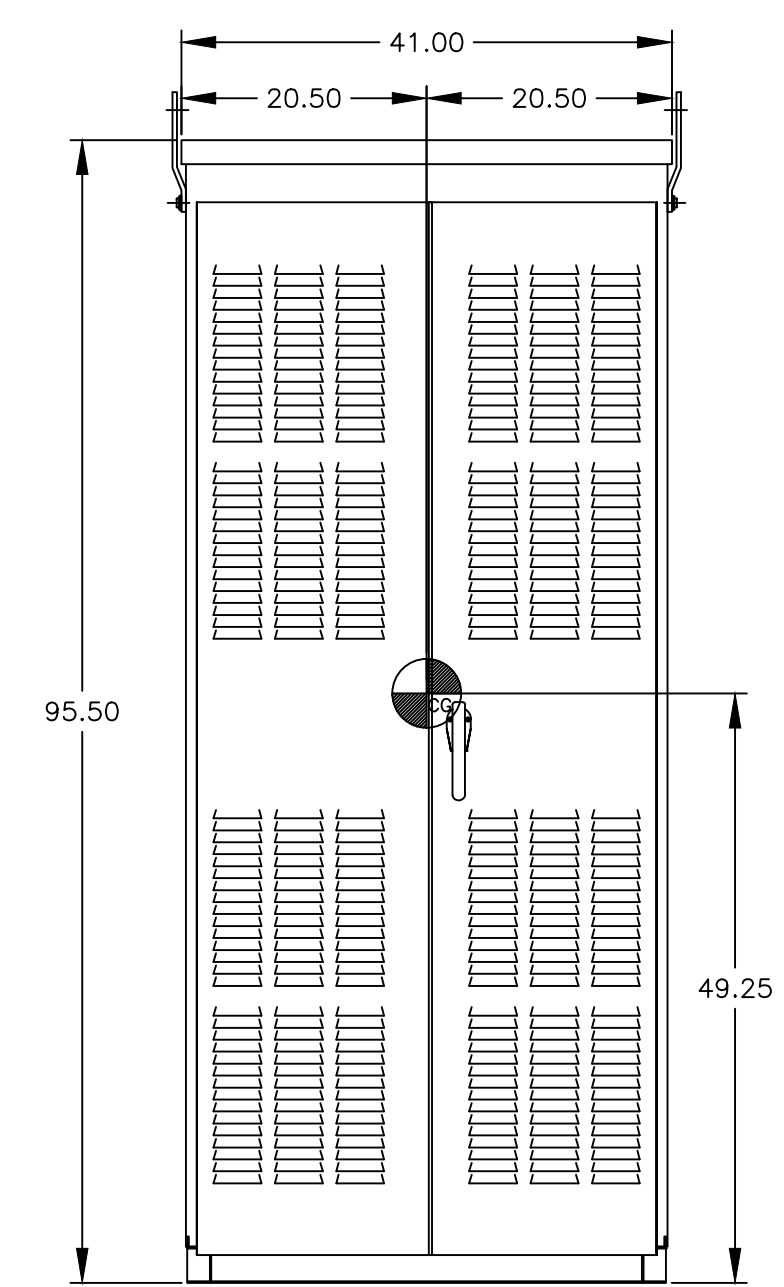
- G FRAME TRANSFER SWITCH 2600A - 3000A.
- TRANSFER SWITCH RATING: 2600 AMPS, 3000 AMPS.
SHORT CIRCUIT RATING WHEN PROTECTED BY A CIRCUIT BREAKER
TIME RESPONSE, MAXIMUM 0.05 SECONDS: 100,000 RMS SYM @ 480V.
THE SOURCES MUST BE PROTECTED BY A REMOTE OVERCURRENT PROTECTION DEVICE AS LISTED ON THE MARKINGS ON THE TRANSFER SWITCH.
- A FULL RATED NEUTRAL CONNECTION FOR EACH SOURCE AND THE LOAD IS OPTIONAL. WHEN PROVIDED IT IS IN ONE OF THE FOLLOWING FORMATS.
A. SOLID NEUTRAL
B. SWITCHED NEUTRAL POLE
- UL 1008

TERMINATIONS 2600-3000 AMPS

- SUPPLIED WITH STANDARD MECHANICAL (SCREW TYPE) LUGS .
SOURCE 1: (10) 1/0 AWG - 600MCM PER PHASE & NEUTRAL
LOAD: (10) 1/0 AWG - 600MCM PER PHASE & NEUTRAL
SOURCE 2: (10) 1/0 AWG - 600MCM PER PHASE & NEUTRAL
GROUND: (30) 1/0 -750MCM
A. SUITABLE WIRE BENDING SPACE IS PROVIDED AS PER THE NEC
- OPTIONAL LUGS MAY BE SUPPLIED.

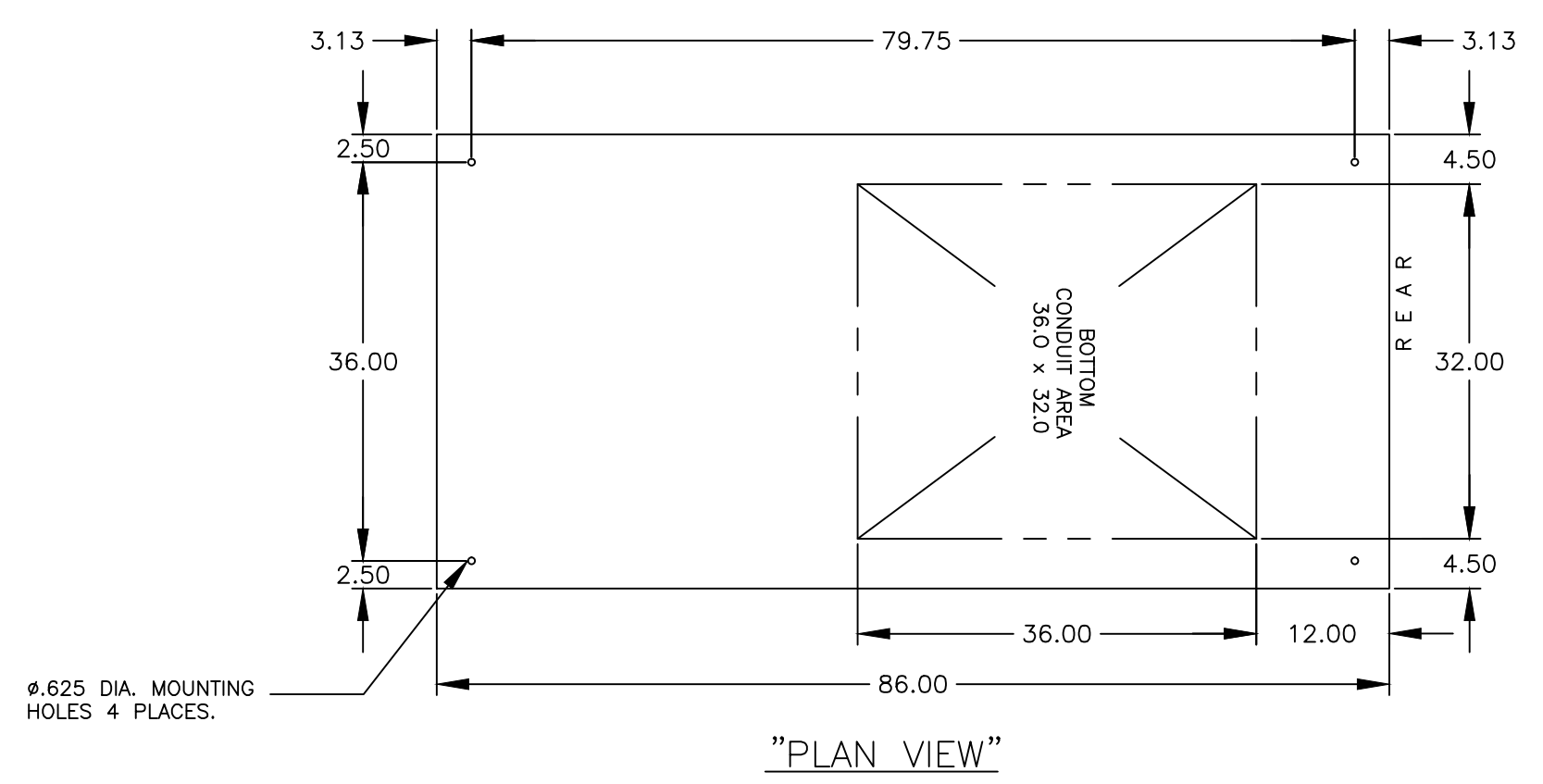
C

C



B

B



A

A

PROJECT NAME:		272969 SG RN 06/15/18	
OUTLINE		MOUNTING	
GMTS 2600A - 3000A			
TYPE 3R 96 X 41 X 86			
BY	DATE	MANUFACTURING TOLERANCES TO BE IN ACCORDANCE WITH ASCO PROCEDURE MP-1-003. FOR PLASTIC PARTS SEE MP-1-055	ASSEM. REF. NO.
SV	04-04-18		
CHECKED	RN	PROPERTY OF ASCO POWER TECHNOLOGIES. USE PERMITTED FOR OUR WORK ONLY. ALL RIGHTS OF DESIGN OR INVENTION ARE RESERVED.	SCALE 1/16" = 1" SIZE DS
PROJECT APPROVAL			COMPUTER GENERATED DRAWING
FINAL APPROVAL			DWG. NO. 977106-004
			ASCOSCO POWER TECHNOLOGIES, L.P. FLORHAM PARK, NEW JERSEY 07932 U.S.A.
			DRAWING A ECN 272969 SHEET 1 OF 1

8 7 6 5 4 3 2 1