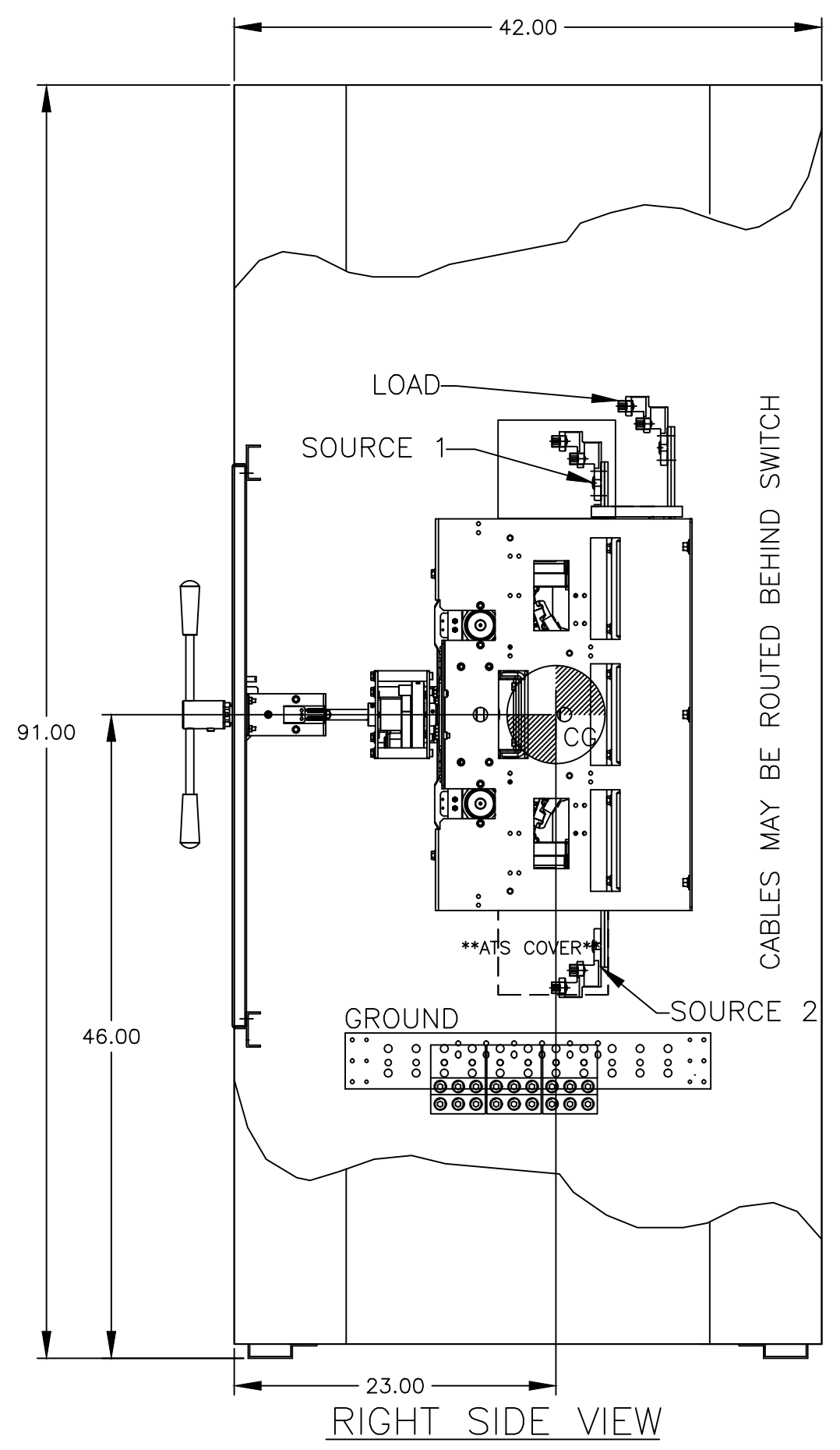
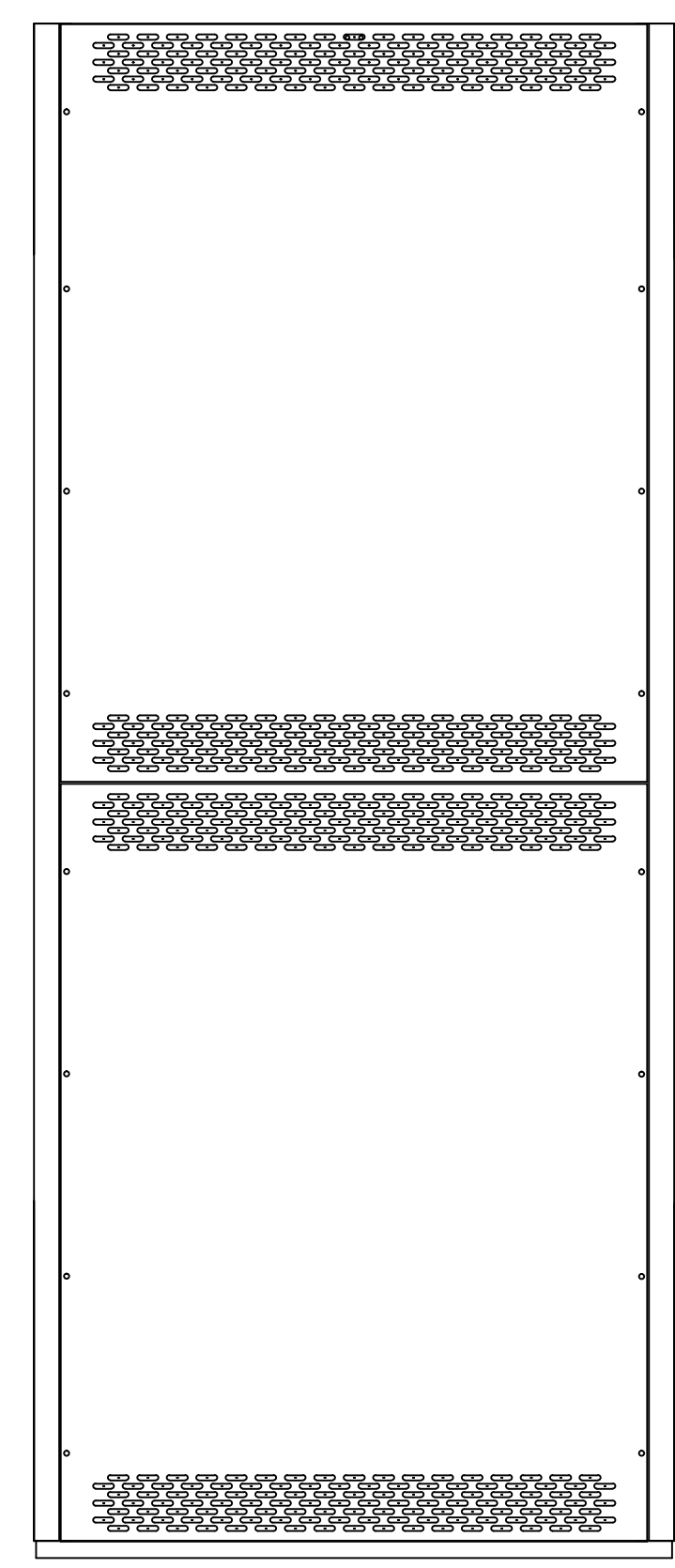


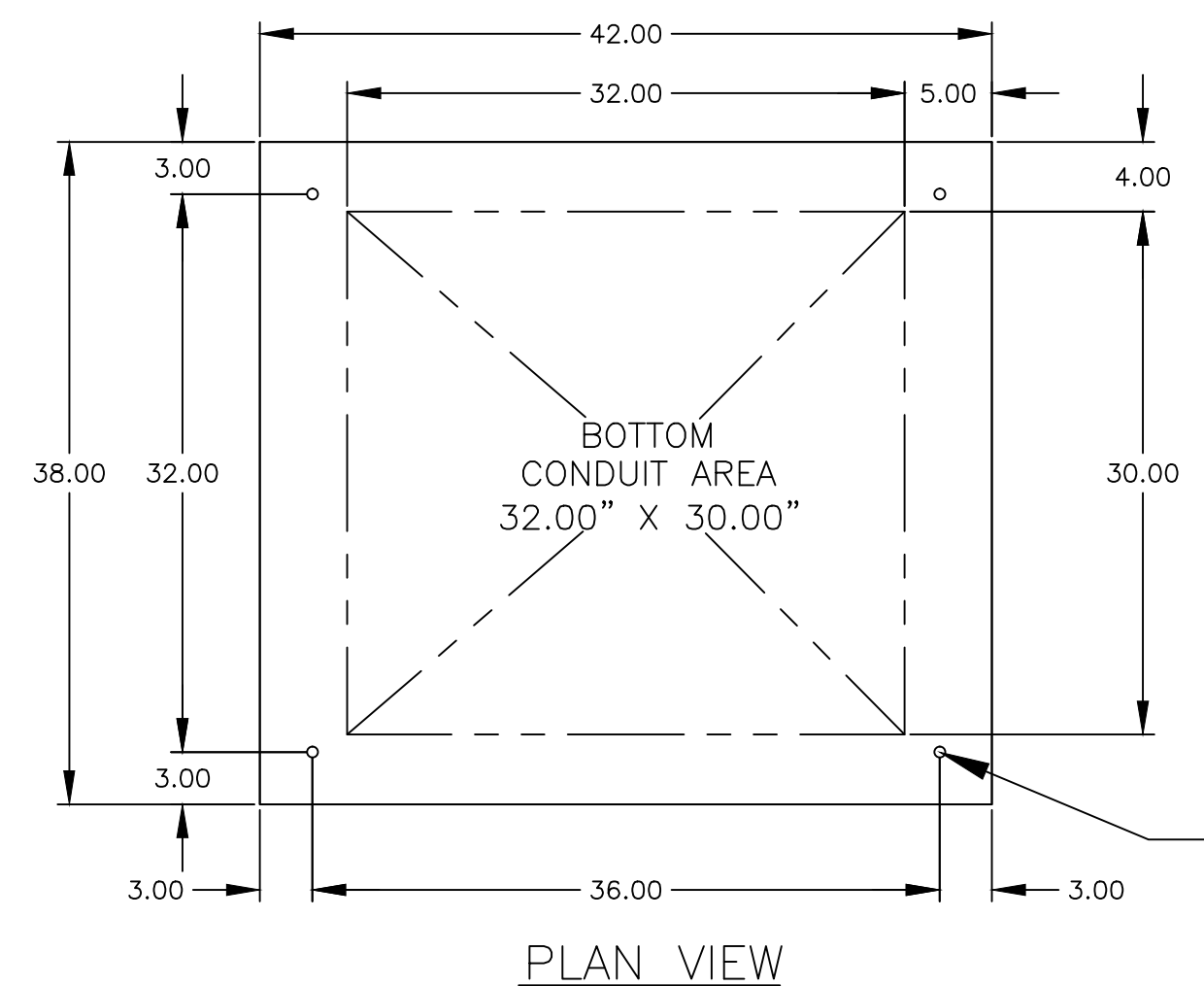
TOP VIEW



RIGHT SIDE VIEW



REAR VIEW



PLAN VIEW

0.625 DIAMETER MOUNTING HOLE
4 PLACES

GENERAL NOTES

- FLOOR MOUNTED ENCLOSURE.
TYPE 1 CONSTRUCTED FROM CODE GAUGE STEEL.
FINISH: ANSI 61 GRAY POLYESTER SEMI GLOSS ELECTROSTATIC POWDER.
- DOORS EQUIPPED WITH KEY LOCKABLE HANDLE AND CAPTIVE SCREWS.
- DESIGNED FOR FRONT ACCESS ONLY.
- RECOMMENDED CLEARANCES: FRONT: 38" REAR: NONE.
- CENTER OF GRAVITY
- APPROXIMATE WEIGHT: 1230 LBS.

TRANSFER SWITCH

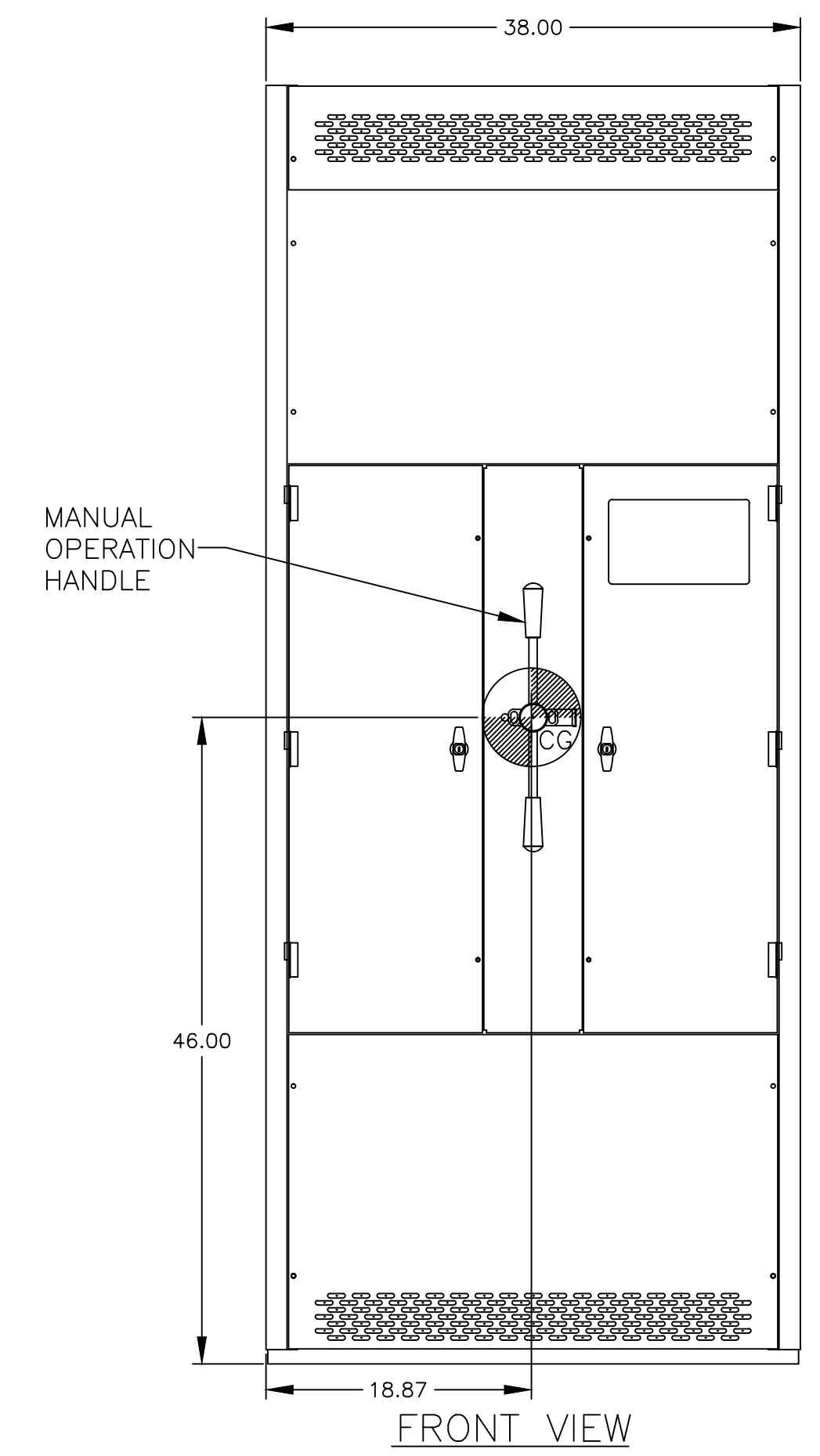
- G FRAME TRANSFER SWITCH 1000A - 2000A.
- TRANSFER SWITCH RATING: 1000 AMPS, 1200 AMPS, 1600 AMPS, 2000 AMPS.
SHORT CIRCUIT RATING WHEN PROTECTED BY A CIRCUIT BREAKER FOR 1000-2000A, TIME RESPONSE, MAXIMUM 0.05 SECONDS: 85,000 RMS SYM @ 480V.
THE SOURCES MUST BE PROTECTED BY A REMOTE OVERCURRENT PROTECTION DEVICE AS LISTED ON THE MARKINGS ON THE TRANSFER SWITCH.
- A FULL RATED NEUTRAL CONNECTION FOR EACH SOURCE AND THE LOAD IS OPTIONAL. WHEN PROVIDED IT IS IN ONE OF THE FOLLOWING FORMATS.
 - SOLID NEUTRAL
 - SWITCHED NEUTRAL POLE
- UL 1008

TERMINATIONS 1000-1200 AMPS

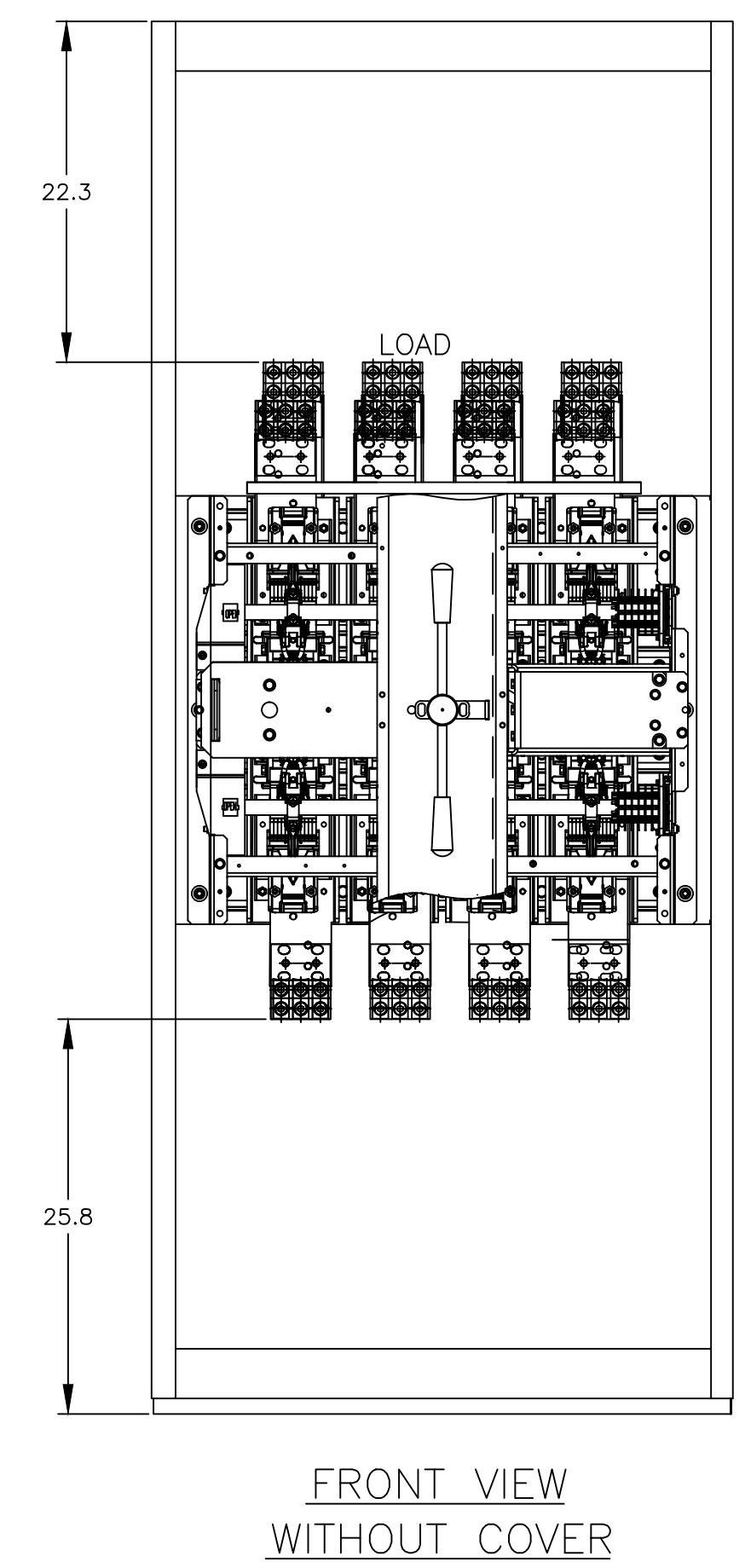
- SUPPLIED WITH STANDARD MECHANICAL (SCREW TYPE) LUGS .
SOURCE 1: (4) 1/0 AWG - 600MCM PER PHASE & NEUTRAL
LOAD: (4) 1/0 AWG - 600MCM PER PHASE & NEUTRAL
SOURCE 2: (4) 1/0 AWG - 600MCM PER PHASE & NEUTRAL
GROUND: (12) 1/0 -750MCM
 - SUITABLE WIRE BENDING SPACE IS PROVIDED AS PER THE NEC
- OPTIONAL LUGS MAY BE SUPPLIED.

TERMINATIONS 1600-2000 AMPS

- SUPPLIED WITH STANDARD MECHANICAL (SCREW TYPE) LUGS .
SOURCE 1: (6) 1/0 AWG - 600MCM PER PHASE & NEUTRAL
LOAD: (6) 1/0 AWG - 600MCM PER PHASE & NEUTRAL
SOURCE 2: (6) 1/0 AWG - 600MCM PER PHASE & NEUTRAL
GROUND: (18) 1/0 -750MCM
 - SUITABLE WIRE BENDING SPACE IS PROVIDED AS PER THE NEC
- OPTIONAL LUGS MAY BE SUPPLIED.



FRONT VIEW



FRONT VIEW WITHOUT COVER

PROJECT NAME:		272253	RP	RN	05-08-18
REV. TO SHEET	ECN NO.	BY	APP.	DATE	
OUTLINE		MOUNTING			
GMTS 1000A - 2000A, FRONT CONNECTED					
TYPE 1 91 X 38 X 42					
DRAWN BY	RP	DATE	MANUFACTURING TOLERANCES TO BE IN ACCORDANCE WITH ASCO PROCEDURE MP-1-003. FOR PLASTIC PARTS SEE MP-1-005	ASSEM. REF. NO.	COMPUTER GENERATED DRAWING
CHECKED	RN	05-02-18	PROPERTY OF ASCO POWER TECHNOLOGIES. USE PERMITTED FOR OUR WORK ONLY. ALL RIGHTS OF DESIGN OR INVENTION ARE RESERVED.	SCALE 3/32" = 1" SIZE DS	DWG. NO.
PROJECT APPROVAL					977105-001
FINAL APPROVAL					DRAWING NO. 272253 SHEET 1 OF 1