

# Installation Instructions

## 1.0 Product Range

### TPLP Series LED Panel Accessories

<b>TPLPSMK6</b>	Surface mounting kit for 600x600 mm Clipsal LED Panel
<b>TPLPSMK12</b>	Surface mounting kit for 1200x300 mm Clipsal LED Panel
<b>TPLPPRF6</b>	Plaster recessing kit for 600x600 mm Clipsal LED panel
<b>TPLPPRF12</b>	Plaster recessing kit for 1200x300 mm Clipsal LED panel
<b>TPLPSSK</b>	Suspension kit for Clipsal LED panel

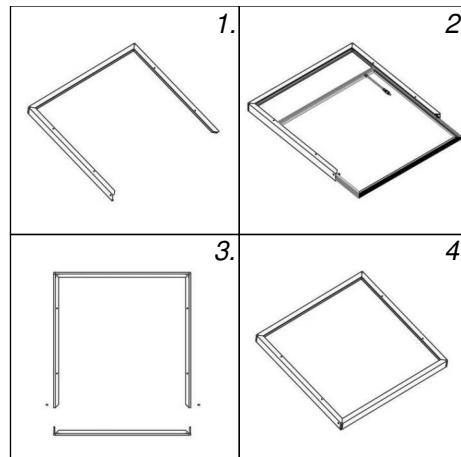
## 2.0 Installation Requirements

- This equipment must only be installed and serviced by an appropriately licensed electrical person.
- Check whether the product has been damaged during transport. Do not operate/install any product which appears damaged in any way. Return the complete product to the place of purchase for inspection, repair or replacement.
- Isolate the electrical supply before doing any work on this equipment.
- Select a suitable location for installation.

## 3.0 Installation Instructions

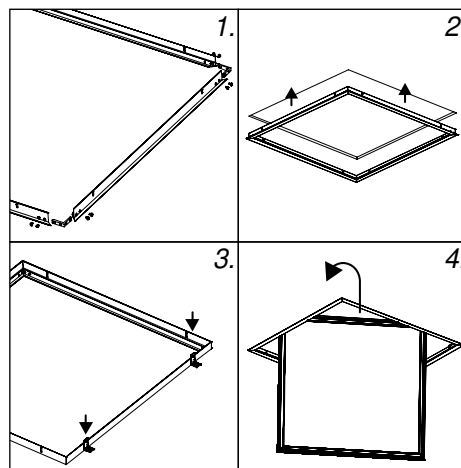
### TPLPSMK6 and TPLPSMK12 – Surface Mounting Kit

1. Assemble three sides of the frame using the supplied corner pieces. Affix to the ceiling with appropriate fixings for the ceiling type.  
  
Note – installing the fourth side temporarily will assist in keeping the frame square.
2. Slide the LED panel into the frame.
3. Install the fourth side using the supplied screws.
4. Complete installation.



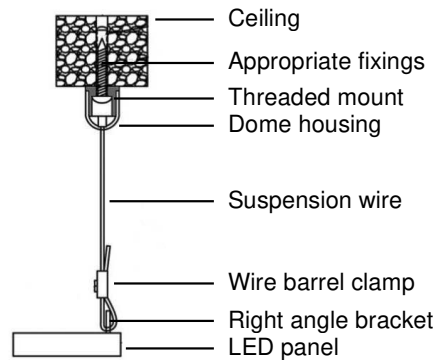
### TPLPPRF6 and TPLPPRF12 – Plaster Recess Frame

1. Assemble the frame using supplied corner pieces and screws.
2. Cut appropriately sized hole into ceiling and install frame.
3. Install supplied clamp brackets onto frame and tighten down on to the ceiling. Two brackets should be fitted to two opposing sides.
4. Complete installation by feeding LED panel through frame opening and placing on internal lip of frame.



**TPLPSSK – Suspension Kit**

1. Fix the right angle bracket to LED panel captive nuts with supplied screws.
2. Feed suspension wire through dome holders ensuring stop is within the holder.
3. Feed free end of suspension wire through the barrel clamp and loop through right angle bracket on the panel. Feed wire back through the barrel clamp and tighten screws.
4. Repeat above steps for each of the four mounting points of the LED panel.
5. Fix threaded mounts to ceiling using fixings appropriate for the ceiling type.
6. Screw dome housings to the threaded mounts and adjust wire length to set desired suspension height and level.



**5.0 Warranty**

1. The benefits conferred herein are in addition to and in no way shall be deemed to derogate; either expressly or by implication, any or all other rights and remedies in respect to the Clipsal by Schneider Electric product, which the consumer has under the Commonwealth Trade Practices Act or any other similar State or Territory Laws.
2. The warrantor is Schneider Electric (Australia) Pty Ltd of 33-37 Port Wakefield Road, Gepps Cross, South Australia 5094. With registered offices in all Australian states.
3. This Clipsal by Schneider Electric product is guaranteed against faulty workmanship and materials for a period of three (3) years for the LED panel and three (3) years for the LED driver, from the date of installation.
4. Schneider Electric (Australia) Pty Ltd reserves the right, at its discretion, to either repair free of parts and labour charges, replace or offer refund in respect to any article found to be faulty due to materials, parts or workmanship.
5. This warranty is expressly subject to the Clipsal by Schneider Electric product being installed, wired, rested, operated and used in accordance with the manufacturer's instructions.
6. All costs of a claim shall be met by Schneider Electric (Australia) Pty Ltd, however should the product that is the subject to the claim be found to be in good working order all such costs shall be met by the claimant.
7. When making a claim the consumer shall forward the Clipsal by Schneider Electric product to the nearest office of Schneider Electric (Australia) Pty Ltd with adequate particulars of the defect within 28 days of the fault occurring. The product should be returned securely packed, complete with details of the date and place of purchase, description of load, and circumstances of malfunction.

**Schneider Electric (Australia) Pty Ltd**

Contact us: [clipsal.com/feedback](http://clipsal.com/feedback)

**National Customer Care Enquiries:**

Tel 1300 2025 25

Fax 1300 2025 56

**Schneider Electric (NZ) Pty Ltd**

**National Customer Care Enquiries:**

Tel 0800 652 999

Fax 0800 101 152



Schneider Electric Pty Ltd reserves the right to change specifications, modify designs and discontinue items without incurring obligation and whilst every effort is made to ensure that descriptions, specifications and other information in this catalogue are correct, no warranty is given in respect thereof and the company shall not be liable for any error therein.

© 2015 Schneider Electric. All Rights Reserved.

Trademarks are owned by Schneider Electric Industries SAS or its affiliated companies.