

DATASHEET

TPHB Series LED Highbay

150W – IP65 rated

Application

Suitable for illuminating large areas where general lighting is required. Perfect for lighting warehouses, manufacturing facilities, loading docks, and distribution centres.

Can be suspended from ceiling or mounted using bracket on vertical surfaces for added design flexibility



Features

With a lightweight engineered designed housing, this Highbay has been developed to produce a high-quality lumen output perfect for energy efficient lighting upgrades and new installations. Its construction assists with ease of installation as well as maintain lifespan. Being able to deal with the extreme Australian operating environments often found where these luminaires are installed is a vital part of our engineering specification

- Lumen output of 15,000 lm
- 5000K lamp temperature output
- 30,000 hours rated lamp life to L70
- Beam spread of 110-degrees
- IP65 rated
- Supplied with flex & plug
- Bracket included

Ordering Matrix

Catalogue No	Description
TPHBM3	LED Highbay 150W, 5000K, IP65

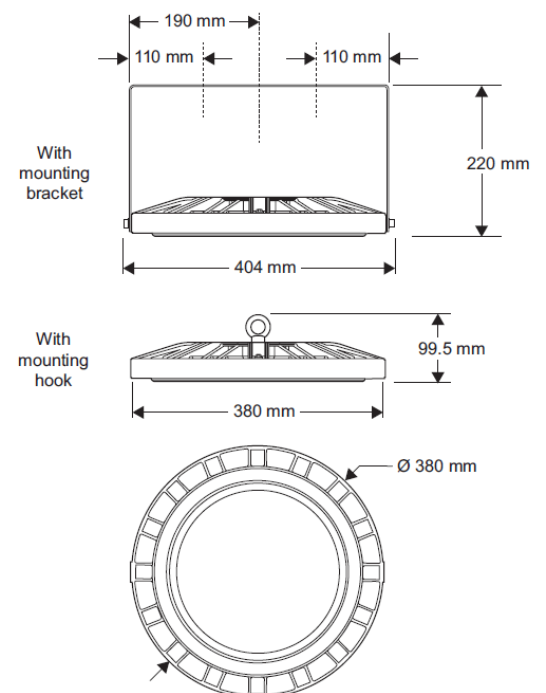


Specifications

Catalogue No	TPHBM3
System power	150 W
Lumens	15,000 lm
Mains voltage	240 Vac / 50 Hz
Lamp colour temperature	5000 K
Lamp life (L70)	30,000 hrs
Beam angle	110 degrees
CRI	> 70
IP Rating	IP65
Operating temperature	- 10°C to + 45°C
Operating humidity	+ 10% to +95% RH, non-condensing
Storage temperature	-10°C to + 60°C
Storage humidity	+ 10% to +95% RH, non-condensing

Construction

Catalogue No	TPHBM3
Diameter	380 mm
Height	99.5 mm
Diameter (with bracket)	404 mm
Height (with bracket)	220 mm
Weight	5.2 kg
Cord length	2 m



Schneider Electric (Australia) Pty Ltd
 78 Waterloo Road, Macquarie Park, NSW, 2113
 National Customer Care: 1300 2025 25

Schneider Electric (NZ) Ltd
 38 Business Parade South, Highbrook, East Tamaki, Manukau, 2163
 National Customer Care: 0800 652 999

Schneider Electric reserves the right to change specifications, modify designs and discontinue items without incurring obligation and whilst every effort is made to ensure that descriptions, specifications and other information in this catalogue are correct, no warranty is given in respect thereof and the company shall not be liable for any error therein.

V1.0 130218