

LED Highbay TPHBM2

Installation Instructions

REGISTERED DESIGN • REGISTERED PATENT

Product Range

TPHBM2	LED Highbay, 150 W, 5000 K, IP65, c/w flex and plug, with 120° Lens
TPHBM2R90	90° Reflector Lens Accessory

Installation Requirements

DANGER

RISK OF ELECTRIC SHOCK, EXPLOSION OR ARC FLASH

- This product must only be installed and serviced by appropriately qualified and/or licenced electrical personnel.
- Isolate the electrical supply before doing any work on this product.
- Ensure that the product has been correctly installed and tested for safe operation before reconnecting the electrical supply.

Failure to follow these instructions will result in death or serious injury.

CAUTION

RISK OF BURN INJURIES

During and after use, the product may be hot. Do not touch the product until it has completely cooled down.

Failure to follow these instructions can result in minor injuries or equipment damage.

- The product is Class 1.
- Check whether the product has been damaged during transport. Do not operate/install any product which appears damaged in any way. Return the complete product to the place of purchase for inspection, repair or replacement.
- Take care not to pull any electrical wires during unpacking as this may damage the connections.
- There are no serviceable parts inside the product.

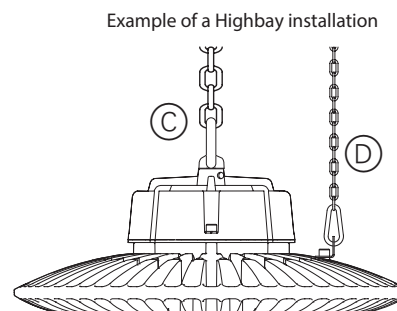
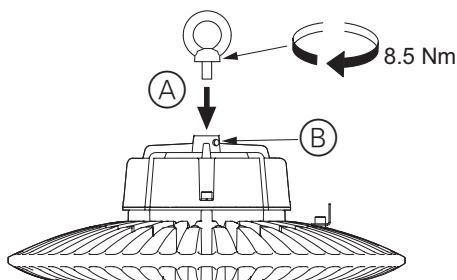
Installation Instructions

TPHBM2 - LED Highbay

- ① Isolate mains power.
- ② Select suitable location for installation.

NOTE: Do not use the power cable to support the weight of the Highbay during and/or after mounting.

- ③ Attach enclosed mounting hook (A) (if not fitted) and screw to a torque setting of 8.5 Nm.
- ④ Tighten grub screw at (B).
- ⑤ Ensure mounting method (C) is of suitable weight rating to be able to support the Highbay.
- ⑥ Attach safety chain shown at (D).
- ⑦ Connect mains power to the Highbay.



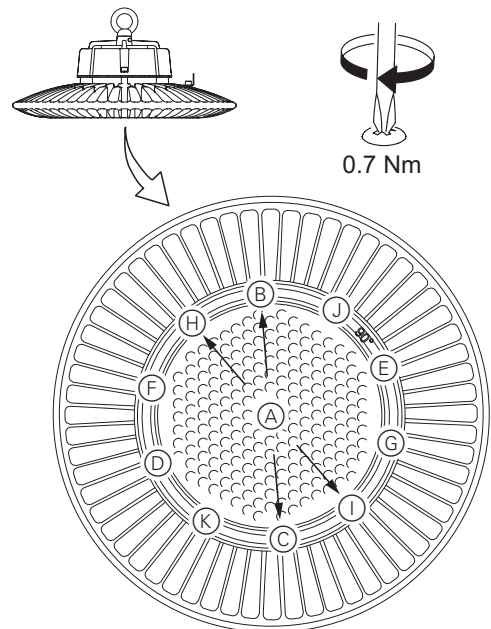
TPHBM2R90 Reflector Lens Accessory

- Using #4 phillips bit driver, remove the screws around the edge of the 120° lens, removing the centre screw last.

NOTE: Keep these screws aside to fit the 90° reflector lens assembly.

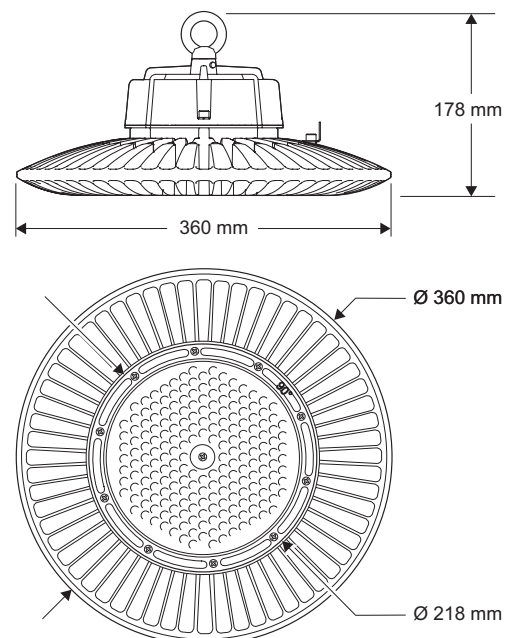
- Remove the 120° lens and gasket from the Highbay housing.
- Remove the 90° reflector lens from its packaging.
- Install the gasket on the cleaned 90° reflector lens slot.
- Check for dirt and clean the 90° reflector lens and highbay (if required).
- Place 90° reflector lens on the front face of the Highbay ensuring that the 11 screw holes line up with the holes on the LED module board. Check that each LED chip is in the middle of each optic node of the 90° reflector lens.
- Fix the 90° reflector lens through the centre screw (A). Recheck the lens and PCB to make sure they are assembled at the exact location, then tighten up the screw to 0.7 Nm.
- Screw and tighten up the remaining 10 screws to 0.7 Nm, in sequence from (B) to (K) as shown in the diagram on the right.

NOTE: Ensure a tight fitting to maintain the IP65 rating, taking care not to over-tighten or strip the screw heads.



Product Specification

Parameter	TPHBM2	TPHBM2R90	
Voltage Rating	240 V a.c. 50 Hz	N/A	
LED Power	136 W		
Total Power Consumption	150 W		
Lumens	18,500 lm		
Colour Temperature	5000 K		
Colour Rendering Index	80		
IP Rating	IP65		
Lifespan	50,000 hrs		
Beam Angle	120°		90°
Weight	4 kg		114 g
Operating Temperature	-10 °C to +45 °C		
Operating Humidity	+10 to +95% RH, non-condensing		
Storage Temperature	-10 °C to +60 °C		
Storage Humidity	+10 to +95% RH, non-condensing		
Dimensions (mm)	360 mm diameter 178 mm height	218 mm diameter	
Cord Length	120 cm	N/A	



Warranty

For warranty information refer to www.clipsal.com/warranty

CLIPSAL®

by Schneider Electric

New Zealand

Schneider Electric (NZ) Ltd

38 Business Parade South, Highbrook,
East Tamaki, Manukau 2013
P.O. Box 259370 Botany, Manukau 2163
Telephone +64 9-829 0490

Australia

Schneider Electric (Australia) Pty Ltd

Customer Care Australia: 1300 369 233

Email: customer care.au@schneider-electric.com

www.schneider-electric.com

F2834/00

After hours service hotline:

0800 735 4357 (New Zealand only)

Customer Care NZ: 0800 652 999

Email: sales@nz.schneider-electric.com

clipsal.com



Schneider Electric reserves the right to change specifications, modify designs and discontinue items without incurring obligation and whilst every effort is made to ensure that descriptions, specifications and other information in this catalogue are correct, no warranty is given in respect thereof and the company shall not be liable for any error therein.

© Schneider Electric 2017

This material is copyright under Australian and international laws. Except as permitted under the relevant law, no part of this work may be reproduced by any process without prior written permission of and acknowledgement to Schneider Electric. Schneider Electric acknowledges that the Australian Standard Certified Product logo is a trademark of SAI Global.

July 2017