

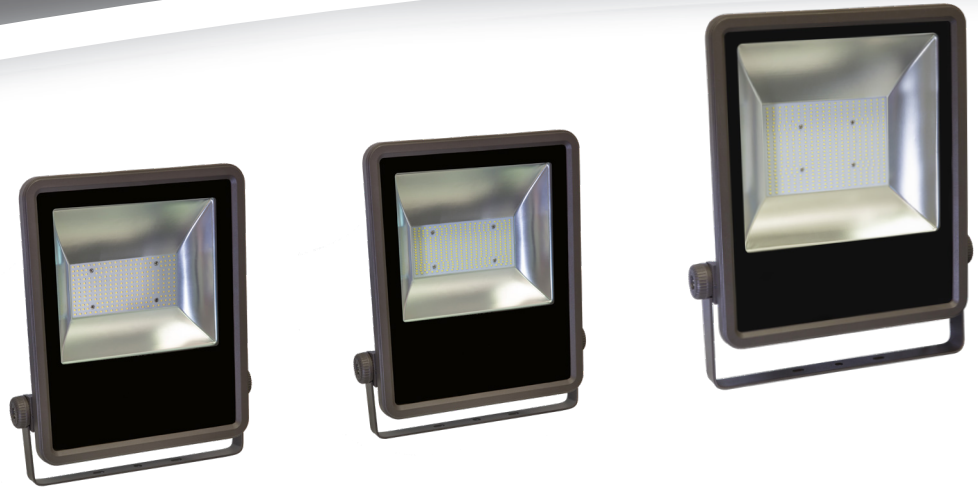
LED Floodlight

TPFLH Series

TPFLH100LED TPFLH150LED TPFLH200LED

CLIPSAL[®]

by Schneider Electric



Installation Instructions

Product Range

TPFLH100LED	100 W LED Floodlight, 240 V a.c., 6500 K, IP65
TPFLH150LED	150 W LED Floodlight, 240 V a.c., 6500 K, IP65
TPFLH200LED	200 W LED Floodlight, 240 V a.c., 6500 K, IP65

Installation Requirements

DANGER

RISK OF ELECTRIC SHOCK, EXPLOSION OR ARC FLASH

- This product must only be installed and serviced by appropriately qualified and/or licenced electrical personnel.
- Isolate the electrical supply before doing any work on this product.
- Ensure that the product has been correctly installed and tested for safe operation before reconnecting the electrical supply.

Failure to follow these instructions will result in death or serious injury.

CAUTION

RISK OF BURN INJURIES

During and after use, the product may be hot. Do not touch the product until it has completely cooled down.

Failure to follow these instructions can result in minor injuries or equipment damage.

- The product is Class 1.
- Check whether the product has been damaged during transport. Do not operate/install any product which appears damaged in any way. Return the complete product to the place of purchase for inspection, repair or replacement.
- Take care not to pull any electrical wires during unpacking as this may damage the connections.
- Isolate the electrical supply before commencing any work on this equipment.
- Select a suitable location for installation.

Installation Instructions

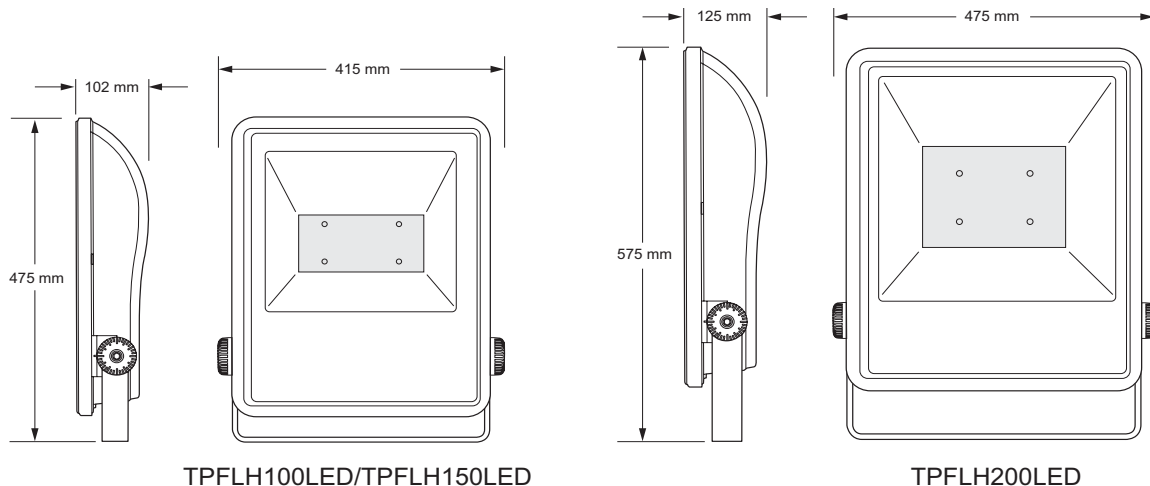
- ① Remove all packaging material from the product.
- ② Use mounting bracket to mark hole centres for fixing.
- ③ Secure mounting bracket using appropriate fasteners. It is recommended that at least two screws (M10) be used and positioned in the outer holes of the bracket
- ④ Safely terminate wiring, paying particular attention to all markings.
- ⑤ The angle of the floodlight can be controlled by adjusting and then tightening the affixed screw at the bracket.

Dimming

The product series is not dimmable.

Product Specification

Parameter	TPFLH100LED	TPFLH150LED	TPFLH200LED
Voltage Rating	240 V a.c., 50 Hz		
IP Rating	IP65		
Total Power Consumption	100 W	150 W	200 W
Beam Angle	100°		
Lumen Output	10,000 lm	14,500 lm	21,500 lm
Operating Temperature	-10 °C to +45 °C		
Operating Humidity	+10 to +95% RH, non-condensing		
Storage Temperature	-10 °C to +60 °C		
Storage Humidity	+10 to +95% RH, non-condensing		
Colour Rendering Index	> 70		
Colour Temperature	6500 K		
Lifespan (L70)	30,000 hours		
Dimensions L × W × H (mm) (see diagrams below)	475 × 415 × 102 mm	475 × 415 × 102 mm	575 × 475 × 125 mm
Cord length	1200 mm		



TPFLH100LED/TPFLH150LED

TPFLH200LED

Warranty

Warranty information (Australia)

We warrant this product for 3 years—visit <https://www.schneider-electric.com.au/en/about-us/legal/terms-and-conditions.jsp> for details.

Our goods also come with guarantees that cannot be excluded under the Australian Consumer Law. You are entitled to a replacement or refund for a major failure and compensation for any other reasonably foreseeable loss or damage. You are also entitled to have the goods repaired or replaced if the goods fail to be of acceptable quality and the failure does not amount to a major failure.

Warranty information (New Zealand)

We warrant this product for 3 years—visit <https://www.schneider-electric.co.nz/en/about-us/legal/terms-and-conditions.jsp> for details.

CLIPSAL®

by Schneider Electric

Australia

Schneider Electric (Australia) Pty Ltd

Customer Care: 1300 369 233

Email:
customercare.au@schneider-electric.com

www.schneider-electric.com.au

New Zealand

Schneider Electric (NZ) Ltd

Customer Care: 0800 652 999

Email:
sales@nz.schneider-electric.com

www.schneider-electric.com



Schneider Electric reserves the right to change specifications, modify designs and discontinue items without incurring obligation and whilst every effort is made to ensure that descriptions, specifications and other information in this catalogue are correct, no warranty is given in respect thereof and the company shall not be liable for any error therein.

© Schneider Electric 2018

This material is copyright under Australian and international laws. Except as permitted under the relevant law, no part of this work may be reproduced by any process without prior written permission of and acknowledgement to Schneider Electric.