



LED Architectural Batten

Installation Instructions

TPDBSLED1
TPDBSLED2



Product range

Cat No.	Configuration
TPDBSLED1	20 W, 600 mm, 4000 K
TPDBSLED2	40 W, 1200 mm, 4000 K

For your safety

⚠️ DANGER

HAZARD OF ELECTRIC SHOCK

- It is illegal for persons other than an appropriately licensed electrician or other persons authorised by legislation to work on the fixed wiring of any electrical installation.
- To comply with all safety standards, the product must be used only for the purpose described in this instruction and must be installed in accordance with the wiring rules and regulation in the location where it is installed.
- Hazardous voltage may be present at the wire leads of this product.
- Lock out and tag the input circuit before accessing the wiring connections.

Failure to follow these instructions will result in death or serious injury.

⚠️ CAUTION

RISK OF BURN INJURIES

During and after use, the product may be hot. Do not touch the product before it has completely cooled down.

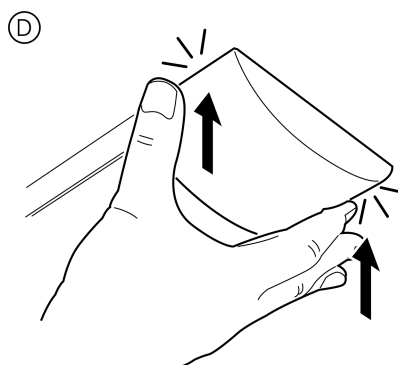
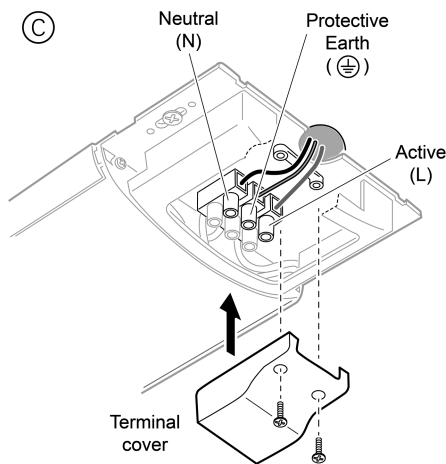
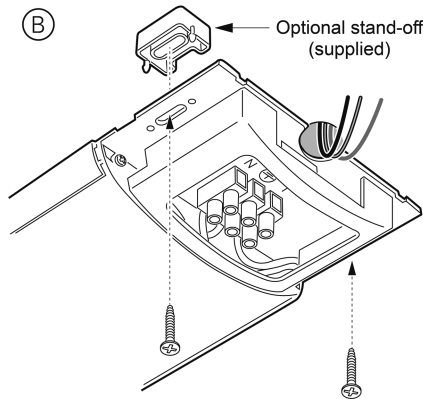
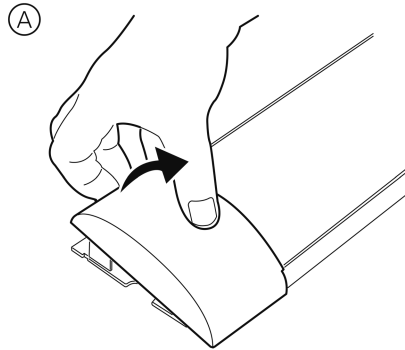
Failure to follow these instructions can result in minor injuries, or equipment damage.

Installation requirements

- The product is class 1.
- Check whether the product has been damaged during transport. Do not operate/install any product which appears damaged in any way. Return the complete product to the place of purchase for inspection, repair or replacement.
- Take care not to pull any electrical wires during unpacking as this may damage the connection.
- Isolate the electrical supply before commencing any work on this equipment.
- There are no user serviceable parts inside the product.

Installation instructions

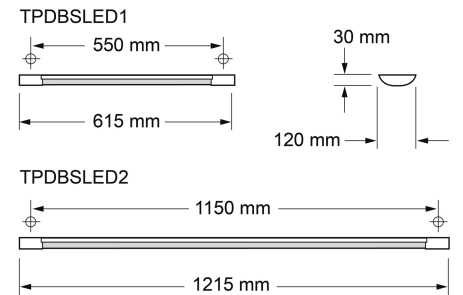
- Isolate power.
- Use a finger to unclip one side of an end cap and remove. Do the same to remove the other end cap. (See diagram (A))
- Select desired location and mount luminaire using mounting holes provided at both ends of the luminaire. Use supplied optional stand-offs if needed. (See diagram (B))
- Terminate mains cable to the terminal block on the luminaire body base, then attach the terminal cover using screws provided. (See diagram (C))
- Clip both end caps back into place. (See diagram (D))



Product specifications

Parameter	TPDBSLED1	TPDBSLED2
Voltage rating	240 V a.c., 50 Hz	240 V a.c., 50 Hz
Total system power	20 W	40 W
Lumens	2200 lm	4800 lm
Colour temperature	4000 K	4000 K
Beam angle	110°	110°
CRI	> 80	> 80
IP rating	IP20	IP20
LED lamp life (L70)	36,000 hrs	36,000 hrs
Size (L x W x H) mm	615 x 120 x 30	1215 x 120 x 30
Length between mounting centres (LF)	550 mm	1150 mm
Weight	0.66 ±0.2 kg	1.26 ±0.2 kg
Operating temperature	-10°C to +40°C	-10°C to +40°C
Operating humidity	+10% to +85% RH (non-condensing)	+10% to +85% RH (non-condensing)

Specifications typical at 25°C



Customer care

Warranty information (Australia)

We warrant this product for 3 years—visit <https://www.schneider-electric.com.au/en/about-us/legal/terms-and-conditions.jsp> for details.

Our goods also come with guarantees that cannot be excluded under the Australian Consumer Law. You are entitled to a replacement or refund for a major failure and compensation for any other reasonably foreseeable loss or damage. You are also entitled to have the goods repaired or replaced if the goods fail to be of acceptable quality and the failure does not amount to a major failure.

Warranty information (New Zealand)

We warrant this product for 3 years—visit <https://www.schneider-electric.co.nz/en/about-us/legal/terms-and-conditions.jsp> for details.

Schneider Electric (Australia) Pty Ltd

Customer Care: 1300 369 233

Email: customer-care.au@schneider-electric.com

www.schneider-electric.com.au

Schneider Electric (NZ) Ltd

Customer Care: 0800 652 999

Email: sales@nz.schneider-electric.com

www.schneider-electric.com

Schneider Electric reserves the right to change specifications, modify designs and discontinue items without incurring obligation and whilst every effort is made to ensure that descriptions, specifications and other information in this catalogue are correct, no warranty is given in respect thereof and the company shall not be liable for any error therein.

© Schneider Electric 2018

This material is copyright under Australian, New Zealand and international laws. Except as permitted under the relevant law, no part of this work may be reproduced by any process without prior written permission of and acknowledgement to Schneider Electric.