



TM3RDM32R Characteristics

Machine Expert > V1.1 > Controllers > M218 Logic Controllers > M218 Logic Controller - Hardware Guide > TM3RDM••R > TM3RDM32R > TM3RDM32R Characteristics

TM3RDM32R Characteristics

Introduction

This section provides a description of the electrical and input/output characteristics of the TM3RDM32R expansion modules. See also [Environmental Characteristics](#).

⚠ DANGER

FIRE HAZARD

- Use only the correct wire sizes for the current capacity of the I/O channels and power supplies.
- For relay output (2 A) wiring, use conductors of at least 0.5 mm² (AWG 20) with a temperature rating of at least 80 °C (176 °F).
- For common conductors of relay output wiring (4 A), or relay output wiring greater than 2 A, use conductors of at least 1.0 mm² (AWG 16) with a temperature rating of at least 80 °C (176 °F).

Failure to follow these instructions will result in death or serious injury.

⚠ WARNING

UNINTENDED EQUIPMENT OPERATION

Do not exceed any of the rated values specified in the environmental and electrical characteristics tables.

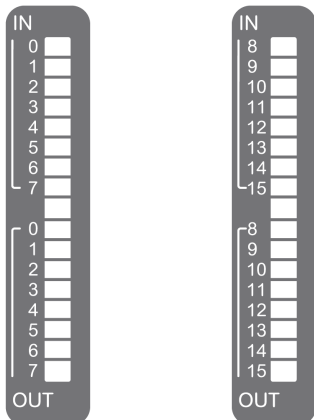
Failure to follow these instructions can result in death, serious injury, or equipment damage.

Overview

- TM3RDM32R digital expansion module:
- 16 channel 24 Vdc sink/source inputs
 - 2 common lines for inputs
 - 16 channel 2 A relay outputs
 - 4 common lines for outputs
 - Removable screw terminal block

Status LEDs

The following figure shows the status LEDs:



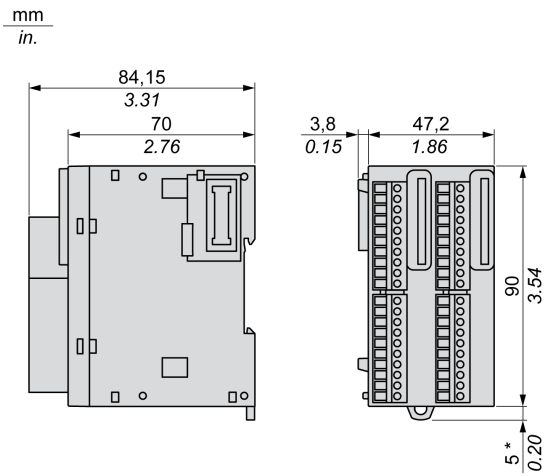
This table describes the status LEDs:

LED	Color	Status	Type	Description
-----	-------	--------	------	-------------

0...15	Green	On	Input	The channel is activated
		Off		The channel is deactivated
0...15	Green	On	Output	The channel is activated
		Off		The channel is deactivated

Dimensions

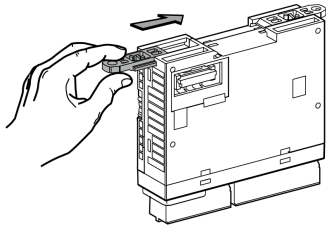
The following diagrams show the external dimensions for the TM3RDM32R expansion modules:



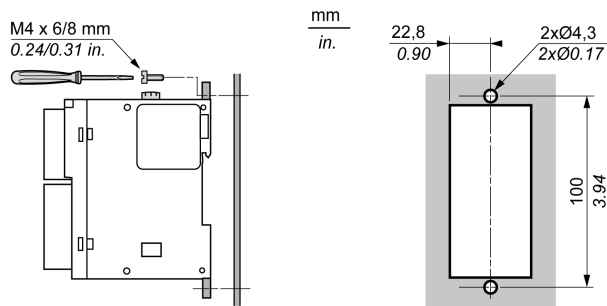
NOTE: * 8.5 mm (0.33 in) when the clamp is pulled out.

Panel Mounting

Insert the mounting strip into the slot at the top of the module:



The following diagram shows the mounting holes layout for the TM3RDM32R expansion module:



Main Characteristics

Characteristic	Value
Input	
Number of input channels	16 inputs
Input type	Type 1 (IEC/EN 61131-2)
Input Logic type	Sink/Source
Rated input voltage	24 Vdc
Output	