

# Acti9 iEM2000 Series

The Acti9 iEM2000 series energy meters offer a cost-attractive, competitive range of single-phase DIN rail-mounted energy meters ideal for sub-billing and cost allocation applications.

## Applications

- To monitor the power consumption of each sector, unit, workshop...
- To manage an electrical installation and optimise your building's power efficiency
- For business, industrial and residential applications



### The solution for

All markets that can benefit from a solution that includes PowerLogic iEM2000 series meters:

- Buildings eg. student accommodation
- Industry
- Data Centre & networks
- Infrastructures (airport, road tunnels, telecom).

### Benefits

The Acti 9 iEM2000 series meters are economical and easy to install in all switchboards up to 10 kVA.

### Competitive advantages

- MID compliant (selected models) providing certified accuracy and data security
- Compact size
- A complete range of energy meters
- Compatible with Acti9 range

### Energy management system:

To get the most effective use from your Schneider Electric measurement and metering devices, we offer a range of dedicated data logger and gateway for your building energy management. See Page 114

### Conformity of standards

- IEC 62053-21
- IEC 61557-12
- EN50470-3

## Feature selection

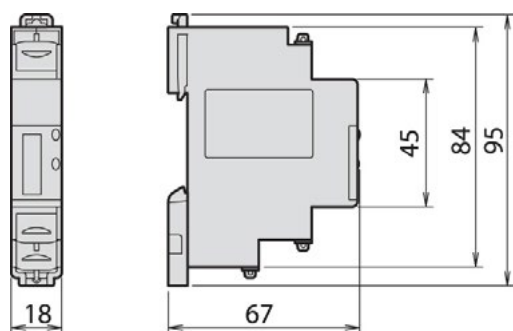
	iEM2000T	iEM2000	iEM2010
Self-powered	■	■	■
Display	n/a	■	■
Width (mm)	18	18	18
Current input	40A	40A	40A
Active Energy accuracy	Class 1	Class 1	Class 1
Reactive Energy accuracy	n/a	n/a	n/a
Four quadrant Energy measurement	n/a	n/a	n/a
Multi-tariff	n/a	n/a	n/a
Digital inputs	n/a	n/a	n/a
Digital outputs	1 P/O	n/a	1 P/O
Communication protocol	n/a	n/a	n/a
MID for billing application	n/a	n	n
Ordering reference	A9MEM2000T	A9MEM2000	A9MEM2010

# Acti9 iEM2000 Series

## Technical specifications

	iEM2000T	iEM2000	iEM2010
Direct connection	40A	40A	40A
Pulse output operation	100 pulses/kwh (120ms long)	n/a	n/a
Display capacity	999999.9KWh		
Voltage range (L-N)	184 to 276 Vac		
Operating frequency	50/60Hz		
Meter constant LED	3200 flashes per KWh		
Wiring capacity (Top)	4 mm <sup>2</sup>		
Wiring capacity (Bottom)	10 mm <sup>2</sup>		
Consumption	<10 VA		
IP protection	IP40 front panel and IP20 casing		
Temperature	-10°C to +55°C		
Active energy	■	■	■
Reactive energy	n/a	n/a	n/a
Active power	n/a	n/a	n/a
Reactive power	n/a	n/a	n/a
Power Factor	n/a	n/a	n/a
Current and voltage	n/a	n/a	n/a
Frequency	n/a	n/a	n/a

## iEM2000 dimensions



NOTE: See the appropriate product Installation Guide for complete instructions.