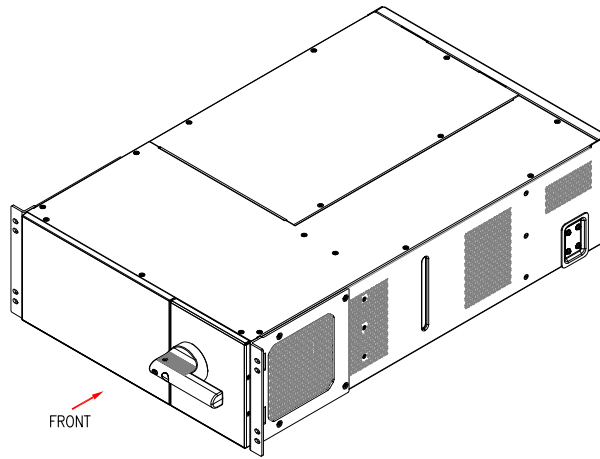
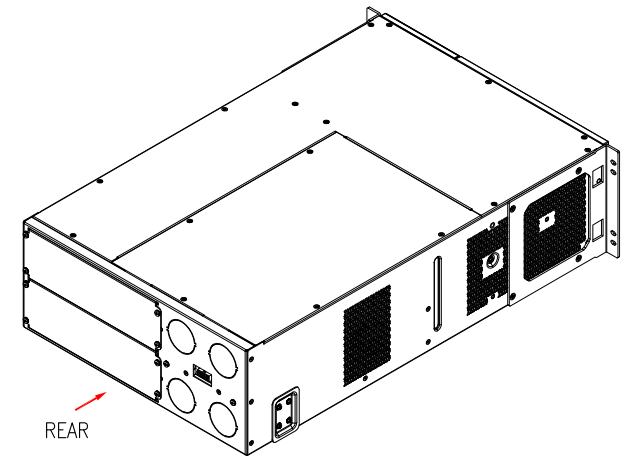


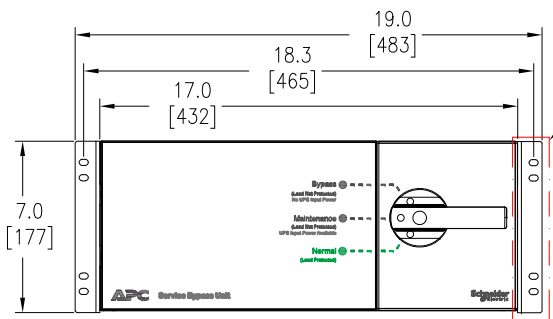
TOP VIEW



ISOMETRIC VIEW

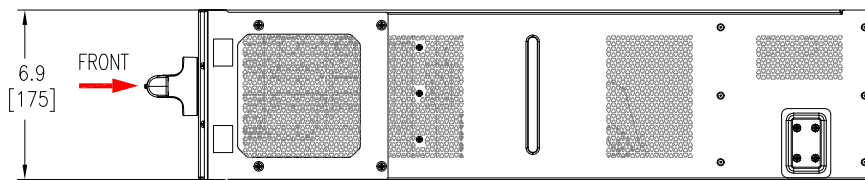


REAR

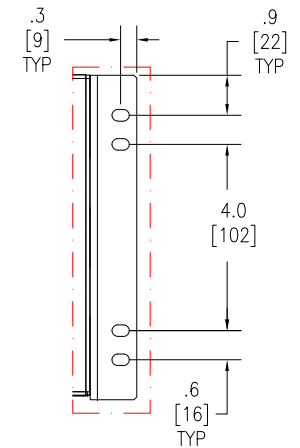


FRONT VIEW

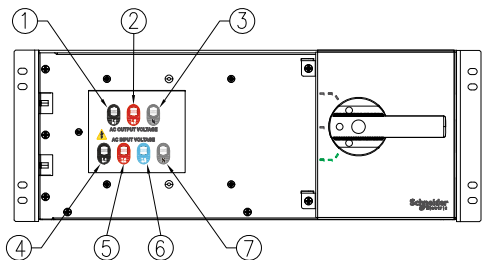
MOUNTING BRACKET  
(2 PLACES)  
REFER TO VIEW-A



RIGHT SIDE VIEW



VIEW-A (ENLARGED)



FRONT VIEW (SLIDING COVER AND FRONT BEZEL NOT SHOWN)  
INPUT/OUTPUT VOLTAGE MEASURING TERMINALS  
LOCATED BEHIND THE FRONT BEZEL

- ① AC OUTPUT L1
- ② AC OUTPUT L2
- ③ AC OUTPUT N
- ④ AC INPUT L1
- ⑤ AC INPUT L2
- ⑥ AC INPUT L3
- ⑦ AC INPUT N

**NOTES:**

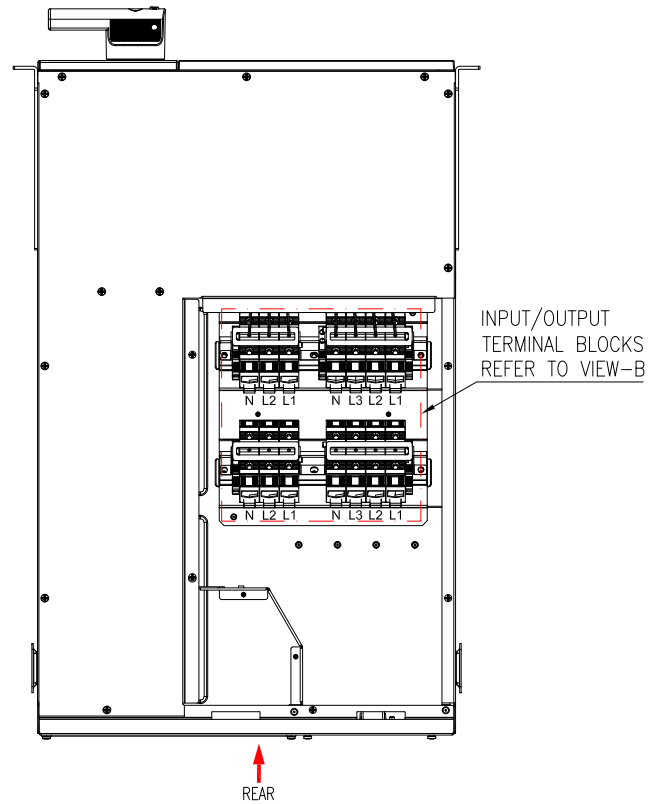
1. INSTALLATION SHALL COMPLY WITH ALL APPLICABLE NATIONAL, STATE AND LOCAL CODES.
2. REFER TO PRODUCT MANUALS FOR ADDITIONAL DETAILS PRIOR TO INSTALLATION AND SITE PREPARATION WORK.
3. ALL DIMENSIONS ARE IN INCHES [MILLIMETERS].
4. CABLE ENTRY/EXIT IS FROM REAR SIDE OF THE UNIT.
6. OPERATING TEMPERATURE: 32°F [0°C] MIN. TO 104°F [40°C], PROTECTION: IP20.
7. THIS UNIT IS INTENDED FOR INDOOR USE ONLY.

THIS DRAWING AND SPECIFICATIONS HEREIN ARE THE PROPERTY OF SCHNEIDER ELECTRIC AND SHALL NOT BE COPIED, REPRODUCED OR USED IN WHOLE OR IN PART, AS THE BASIS FOR THE MANUFACTURE OR SALE OF ITEMS WITHOUT WRITTEN PERMISSION FROM SCHNEIDER ELECTRIC. THIS DRAWING IS BASED UPON LATEST AVAILABLE INFORMATION AND IS SUBJECT TO CHANGE WITHOUT NOTICE.

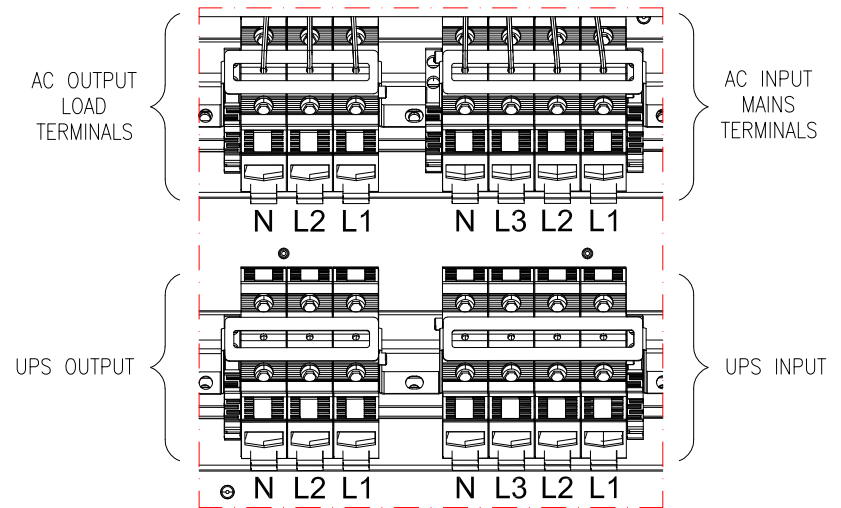


TITLE: APC SBU FOR SRYL  
2P-25/26/30kW & 1P/3P-27.5/28.5/30kW  
INPUT: 1P,220-240, 2P,200-240V, 3P,380-415V, 50/60Hz  
OUTPUT: 2P, 200/208/240V, 1P, 220/230/240V, 50/60Hz  
GENERAL ARRANGEMENT  
PROJECT: SUBMITTAL DRAWING | SHEET 1 OF 3

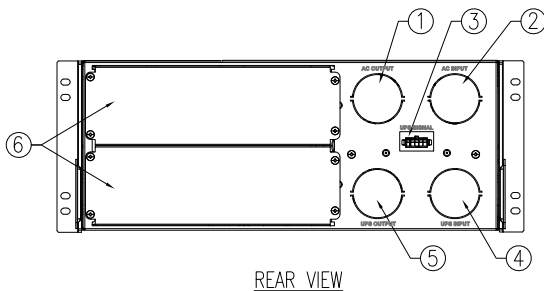
DWG NO:	SRYLSBP20KP	REV:	0
DRAWN BY:	RANJITHA	20-JUL-22	THIRD
ENGINEER:	UJWAL/M RAMESH	22-JUL-22	ANGLE
APPROVED BY:	J CHOU/M LIPARE	22-JUL-22	PROJECTION



TOP VIEW (TERMINAL BLOCK ACCESS COVER NOT SHOWN)



VIEW-B  
INPUT/OUTPUT TERMINAL BLOCKS  
(ENLARGED)



- ① HARDWARE ACCESS (KNOCKOUT) FOR AC OUTPUT (LOAD)
- ② HARDWARE ACCESS (KNOCKOUT) FOR AC INPUT (MAINS)
- ③ COMMUNICATION PORT
- ④ HARDWARE ACCESS (KNOCKOUT) FOR UPS INPUT
- ⑤ HARDWARE ACCESS (KNOCKOUT) FOR UPS OUTPUT
- ⑥ PROVISION FOR INSTALLING ADDITIONAL POWER DISTRIBUTION UNIT (PDU)

NOTES:

1. INSTALLATION SHALL COMPLY WITH ALL APPLICABLE NATIONAL, STATE AND LOCAL CODES.
2. REFER TO PRODUCT MANUALS FOR ADDITIONAL DETAILS PRIOR TO INSTALLATION AND SITE PREPARATION WORK.

THIS DRAWING AND SPECIFICATIONS HEREIN ARE THE PROPERTY OF SCHNEIDER ELECTRIC AND SHALL NOT BE COPIED, REPRODUCED OR USED IN WHOLE OR IN PART, AS THE BASIS FOR THE MANUFACTURE OR SALE OF ITEMS WITHOUT WRITTEN PERMISSION FROM SCHNEIDER ELECTRIC. THIS DRAWING IS BASED UPON LATEST AVAILABLE INFORMATION AND IS SUBJECT TO CHANGE WITHOUT NOTICE.

**Schneider Electric**

TITLE: APC SBU FOR SRYL  
2P-25/26/30kW & 1P/3P-27.5/28.5/30kW  
INPUT: 1P,220-240, 2P,200-240V, 3P,380-415V, 50/60Hz  
OUTPUT: 2P, 200/208/240V, 1P, 220/230/240V, 50/60Hz  
INPUT/OUTPUT TERMINALS

DWG NO: SRYLSBP20KP

REV. 0

DRAWN BY: RANJITHA 20-JUL-22

THIRD

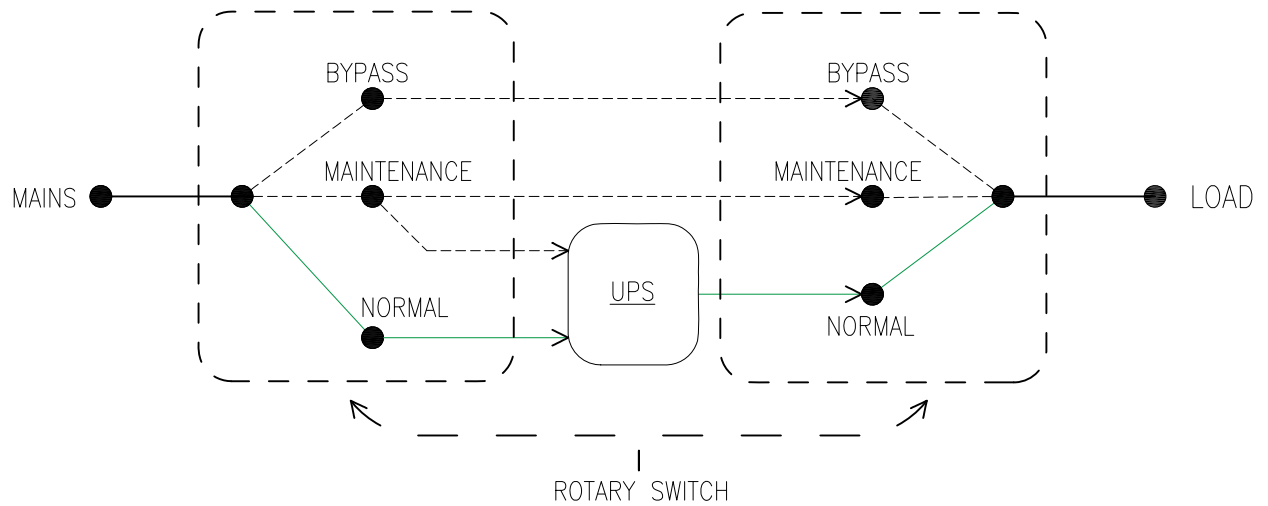
ENGINEER: UJWAL/M RAMESH 22-JUL-22

ANGLE

APPROVED BY: J CHOU/M LIPARE 22-JUL-22

PROJECTION

PROJECT: SUBMITTAL DRAWING SHEET 2 OF 3



- NOTES:**
1. INSTALLATION SHALL COMPLY WITH NATIONAL, STATE AND LOCAL CODES.
  2. REFER TO PRODUCT MANUALS FOR ADDITIONAL DETAILS PRIOR TO INSTALLATION AND SITE PREPARATION WORK
  3. UTILITY SOURCE PROVIDED BY OTHERS.
  4. THE INPUT CIRCUIT BREAKER SHOULD NOT EXCEED THE RATING RECOMMENDED FOR THE UPS CONNECTED TO THE SBU.
  5. THE TERMINALS IN THE SBU ACCOMMODATE WIRE SIZE FROM 25 mm<sup>2</sup> (2 AWG) TO 35 mm<sup>2</sup> (1 AWG) COPPER WIRES.
  6. WIRE SIZE IS DEPENDENT ON THE RATING OF THE CONNECTED UPS. REFER TO THE UPS USER MANUAL FOR UPS WIRING SPECIFICATIONS. BE SURE TO USE NEXT THICKER GAUGE WIRE THAN THAT RECOMMENDED IN THE UPS USER MANUAL.
  7. SBU RATING MUST BE GREATER THAN OR EQUAL TO THE RATING OF UPS TO WHICH IT IS CONNECTED.

⚠ THE TABLE REPRESENTS THE ELECTRICAL RATINGS OF THE SBU.

<b>Nominal input voltage</b>	<b>200 - 240 VAC</b>	<b>220 - 240 VAC</b>	<b>380 - 415 VAC</b>
	<b>(2P + N + PE)</b>	<b>(1P + N + PE)</b>	<b>(3P + N + PE)</b>
<b>Nominal operating frequency</b>	50/60 Hz		
<b>Rated output voltage</b>	200/208/240 VAC	220/230/240 VAC	
	(2P + N + PE)	(1P + N + PE)	
<b>Maximum input current</b>	125 A each phase		
<b>Rated output power</b>	25/26/30 kVA	27.50/28.50/30.00 kVA	
	25/26/30 kW	27.50/28.50/30.00 kW	

THIS DRAWING AND SPECIFICATIONS HEREIN ARE THE PROPERTY OF SCHNEIDER ELECTRIC AND SHALL NOT BE COPIED, REPRODUCED OR USED IN WHOLE OR IN PART, AS THE BASIS FOR THE MANUFACTURE OR SALE OF ITEMS WITHOUT WRITTEN PERMISSION FROM SCHNEIDER ELECTRIC. THIS DRAWING IS BASED UPON LATEST AVAILABLE INFORMATION AND IS SUBJECT TO CHANGE WITHOUT NOTICE.



TITLE: APC SBU FOR SRYL  
 2P-25/26/30kW & 1P/3P-27.5/28.5/30kW  
 INPUT: 1P,220-240, 2P,200-240V, 3P,380-415V, 50/60Hz  
 OUTPUT: 2P, 200/208/240V, 1P, 220/230/240V, 50/60Hz  
 SYSTEM ONE LINE-DIAGRAM  
 PROJECT: SUBMITTAL DRAWING | SHEET 3 OF 3

DWG NO: SRYLSBP20KP  
 DRAWN BY: RANJITHA  
 ENGINEER: UJWAL/M RAMESH  
 APPROVED BY: J CHOU/M LIPARE

REV. 0  
 ANGLE  
 PROJECTION  
 N/A