
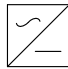
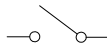
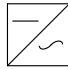
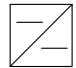
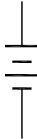


Schneider Easy UPS On-line

Sheet No.	Component /Detail	Description
1	Drawing Guide	Schneider Easy UPS On-line Drawing Guide
2	Isometric Views	Schneider Easy UPS On-line Isometric View
3	General Arrangement -Rack mount	Schneider Easy UPS On-line General Arrangement-Rack inatallation
4	System One Line Diagram	Schneider Easy UPS On-line System Onleline Diagram

LEGEND			
SYMBOL	DESCRIPTION	SYMBOL	DESCRIPTION
	CIRCUIT BREAKER		AC-DC CONVERTER
	RELAY		DC-AC CONVERTER (INVERTER)
	DC-DC CONVERTER		BATTERY

THIS DRAWING AND SPECIFICATIONS HEREIN ARE THE PROPERTY OF SCHNEIDER ELECTRIC AND SHALL NOT BE COPIED, REPRODUCED OR USED IN WHOLE OR IN PART, AS THE BASIS FOR THE MANUFACTURE OR SALE OF ITEMS WITHOUT WRITTEN PERMISSION FROM SCHNEIDER ELECTRIC. THIS DRAWING IS BASED UPON LATEST AVAILABLE INFORMATION AND IS SUBJECT TO CHANGE WITHOUT NOTICE.

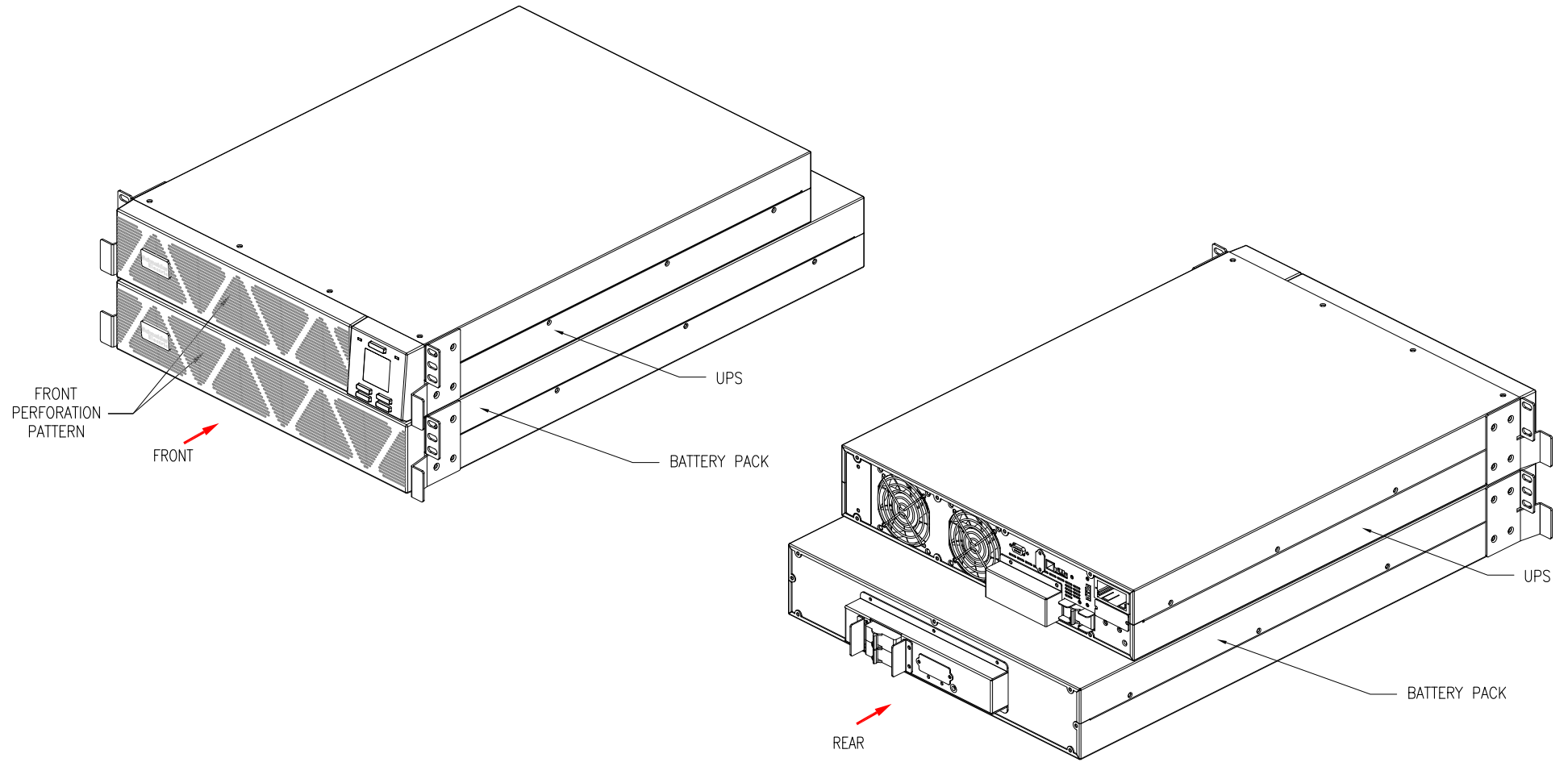


TITLE: Schneider Easy UPS On-line
 (SRVSPM5KRH+SRVS192RBP-7A)/(SRVSPM6KRH+SRVS192RBP-7A)
 INPUT: 1PH, 230V (L+N+G), 50-60Hz
 OUTPUT: 1PH, 230V (L+N+G), 50/60Hz, 5kVA/6kVA
 DRAWING GUIDE

DWG NO:	SRVS5K6R1	REV:	0
DRAWN:	RANJITHA	DATE:	08-FEB-22
ENGINEER:	TONY CHEN	DATE:	21-FEB-22
APPROVED:	FEN WANG	DATE:	21-FEB-22
PROJECT:	DRAWINGS	SHEET	1 OF 4
ANGLE PROJECTION:	N.A		

SKU #: SRVS5KRI (SRVSPM5KRI+SRVS192RBP-7A)/
 SRVS6KRI (SRVSPM6KRI+SRVS192RBP-7A)

RACK INSTALLATION (ISOMETRIC VIEWS)



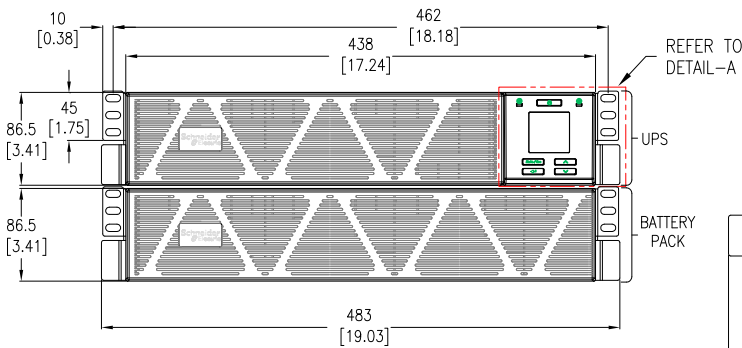
NOTES:
 1. INSTALLATION SHALL COMPLY WITH ALL APPLICABLE NATIONAL AND LOCAL ELECTRICAL REGULATIONS.
 2. REFER TO PRODUCT MANUALS FOR ADDITIONAL DETAILS PRIOR TO INSTALLATION AND SITE PREPARATION WORK.

THIS DRAWING AND SPECIFICATIONS HEREIN ARE THE PROPERTY OF SCHNEIDER ELECTRIC AND SHALL NOT BE COPIED, REPRODUCED OR USED IN WHOLE OR IN PART, AS THE BASIS FOR THE MANUFACTURE OR SALE OF ITEMS WITHOUT WRITTEN PERMISSION FROM SCHNEIDER ELECTRIC. THIS DRAWING IS BASED UPON LATEST AVAILABLE INFORMATION AND IS SUBJECT TO CHANGE WITHOUT NOTICE.

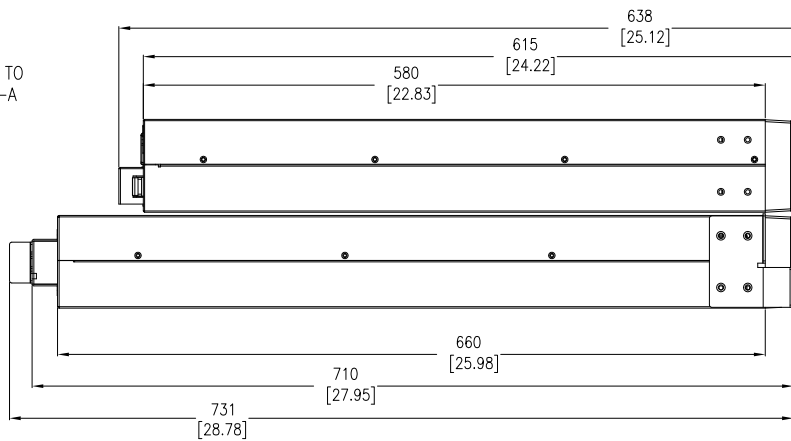


TITLE: Schneider Easy UPS On-line
 (SRVSPM5KRI+SRVS192RBP-7A)/(SRVSPM6KRI+SRVS192RBP-7A)
 INPUT: 1PH, 230V (L+N+G), 50-60Hz
 OUTPUT: 1PH, 230V (L+N+G), 50/60Hz, 5kVA/6kVA
 ISOMETRIC VIEWS (UPS+BATTERY PACK)
 PROJECT: DRAWINGS SHEET 2 OF 4

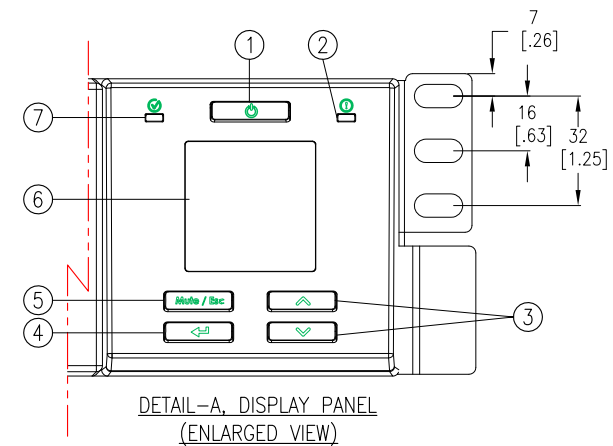
DWG NO:	SRVS5K6RI	REV:	0
DRAWN:	RANJITHA	DATE:	08-FEB-22
ENGINEER:	TONY CHEN	DATE:	21-FEB-22
APPROVED:	FEN WANG	DATE:	21-FEB-22
			FIRST ANGLE PROJECTION



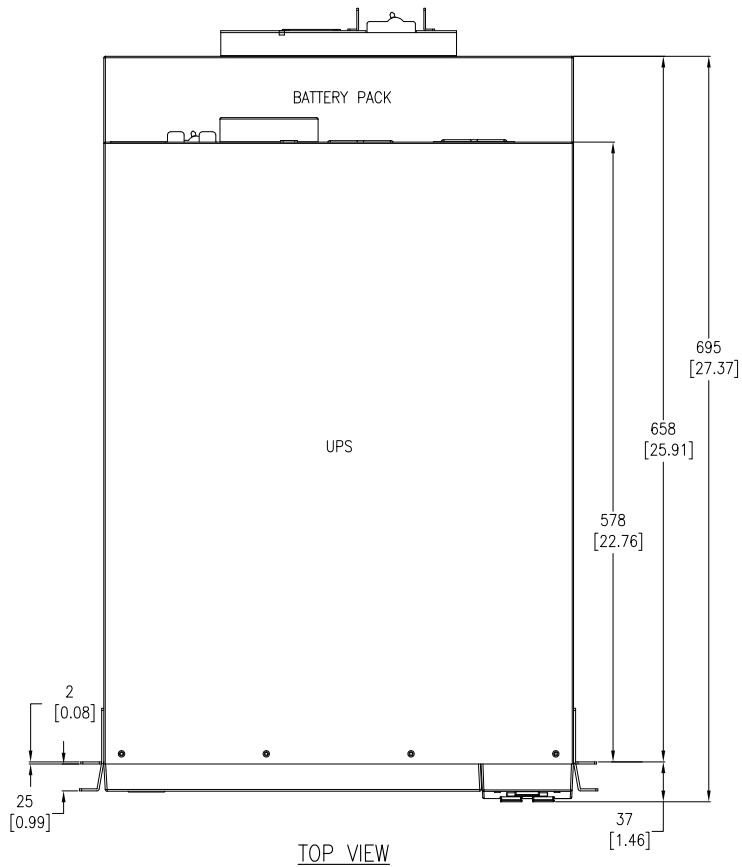
FRONT VIEW



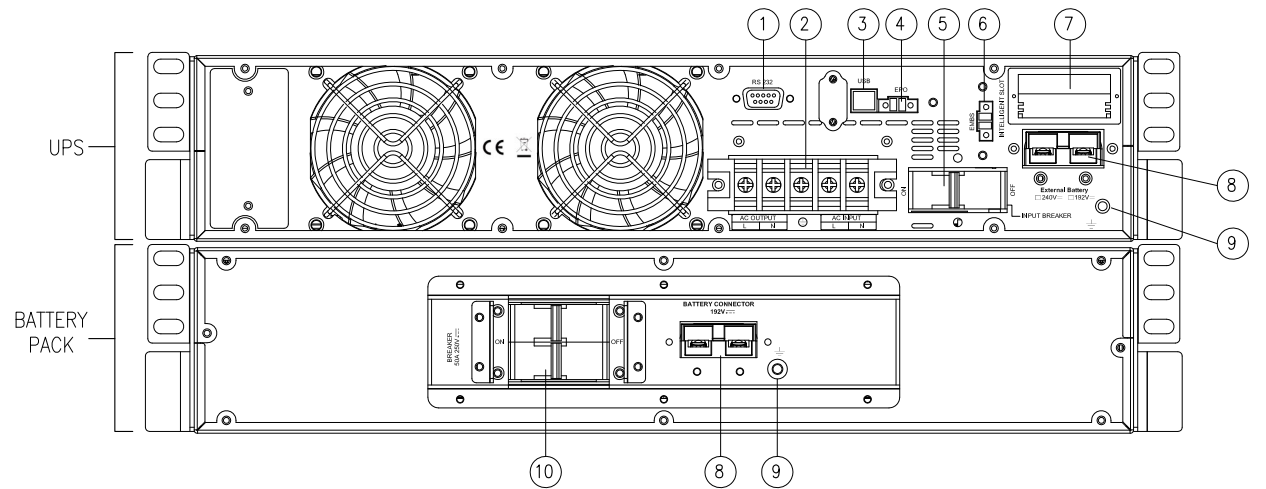
SIDE VIEW



- 1. Power ON/OFF button.
- 2. Alert LED
- 3. UP/DOWN arrow buttons.
- 4. ENTER button.
- 5. Mute/ESC button.
- 6. LCD Display.
- 7. Status LED



TOP VIEW



REAR VIEW (ENLARGED)

- ① SERIAL COMMUNICATION PORT (RS-232)
- ② INPUT AND OUTPUT HARDWIRE TERMINAL BLOCK (COVER NOT SHOWN)
- ③ USB PORT
- ④ EPO CONNECTOR
- ⑤ INPUT CIRCUIT BREAKER
- ⑥ EXTERNAL MAINTENANCE BYPASS SIGNAL PORT
- ⑦ INTELLIGENT SLOT FOR MANAGEMENT ACCESSORIES
- ⑧ BATTERY CONNECTOR (COVER NOT SHOWN)
- ⑨ GROUND SCREW
- ⑩ CIRCUIT BREAKER

NOTES:

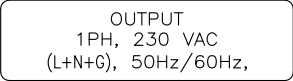
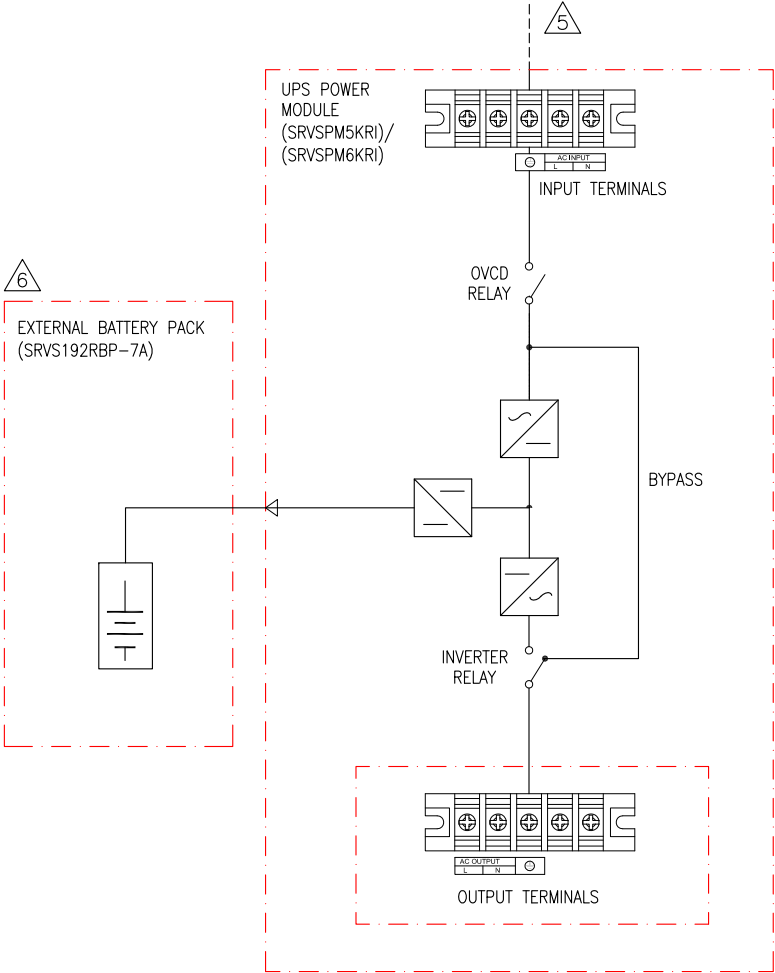
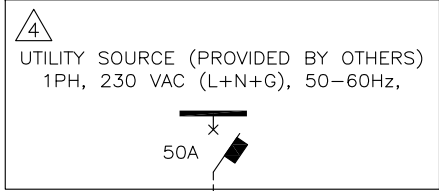
1. INSTALLATION SHALL COMPLY WITH ALL APPLICABLE NATIONAL AND LOCAL ELECTRICAL REGULATIONS.
2. REFER TO PRODUCT MANUALS FOR ADDITIONAL DETAILS PRIOR TO INSTALLATION AND SITE PREPARATION WORK.
3. ALL DIMENSIONS ARE IN MILLIMETERS [INCHES], UNLESS OTHERWISE SPECIFIED. DIMENSIONS EXCLUDE SCREWS AND PROTRUDING PARTS.
4. CABLE ENTRY IS FROM REAR SIDE OF UNIT.
5. NET WEIGHT : - (SRVSPM5KRI) / (SRVSPM6KRI) + SRVS192RBP-7A : 14 kg + 47 kg [31.97 lb + 103.6 lb].

THIS DRAWING AND SPECIFICATIONS HEREIN ARE THE PROPERTY OF SCHNEIDER ELECTRIC AND SHALL NOT BE COPIED, REPRODUCED OR USED IN WHOLE OR IN PART, AS THE BASIS FOR THE MANUFACTURE OR SALE OF ITEMS WITHOUT WRITTEN PERMISSION FROM SCHNEIDER ELECTRIC. THIS DRAWING IS BASED UPON LATEST AVAILABLE INFORMATION AND IS SUBJECT TO CHANGE WITHOUT NOTICE.



TITLE: Schneider Easy UPS On-line (SRVSPM5KRI+SRVS192RBP-7A)/(SRVSPM6KRI+SRVS192RBP-7A)
 INPUT: 1PH, 230V (L+N+G), 50-60Hz
 OUTPUT: 1PH, 230V (L+N+G), 50/60Hz, 5kVA/6kVA
 GENERAL ARRANGEMENT-RACK INSTALLATION
 PROJECT: DRAWINGS SHEET 3 OF 4

DWG NO: SRVS5K6RI REV. 0
 DRAWN: RANJITHA 08-FEB-22 FIRST ANGLE
 ENGINEER: TONY CHEN 21-FEB-22 PROJECTION
 APPROVED: FEN WANG 21-FEB-22



△6

Battery Specification	
Battery Type	12V, 7Ah
Battery Pack Voltage	192V DC

- NOTES:
- INSTALLATION SHALL COMPLY WITH ALL APPLICABLE NATIONAL AND LOCAL ELECTRICAL REGULATIONS.
 - REFER TO PRODUCT DOCUMENTATION FOR ADDITIONAL DETAILS PRIOR TO INSTALLATION AND SITE PREPARATION WORK.
 - DRAWING DEPICTS POWER SYSTEM CONNECTIONS AND IS NOT REPRESENTATIVE OF PHYSICAL LAYOUT. PLEASE REFER TO MECHANICAL DRAWINGS FOR MORE SPECIFIC PHYSICAL DATA.
 - △4. UTILITY SOURCE MUST BE 1PH, 230VAC (L+N+G), 50–60Hz PROVIDED BY OTHERS.
 - △5. DASHED LINES BETWEEN UTILITY SOURCE & THE UNIT REPRESENTS 10AWG/6mm² WIRE AND NOT PROVIDED WITH THE UNIT.
 - △6. ONLY 1 EXTERNAL BATTERY PACK CAN BE CONNECTED WHICH IS PROVIDED WITH THE UPS.
 - AT NOMINAL VOLTAGE, OUTPUT V THD 1% MAX. FOR FULL LINEAR LOAD, 4% MAX. FOR FULL RCD LOAD.

THIS DRAWING AND SPECIFICATIONS HEREIN ARE THE PROPERTY OF SCHNEIDER ELECTRIC AND SHALL NOT BE COPIED, REPRODUCED OR USED IN WHOLE OR IN PART, AS THE BASIS FOR THE MANUFACTURE OR SALE OF ITEMS WITHOUT WRITTEN PERMISSION FROM SCHNEIDER ELECTRIC. THIS DRAWING IS BASED UPON LATEST AVAILABLE INFORMATION AND IS SUBJECT TO CHANGE WITHOUT NOTICE.



TITLE: Schneider Easy UPS On-line (SRVSPM5KRI+SRVS192RBP-7A)/(SRVSPM6KRI+SRVS192RBP-7A)
INPUT: 1PH, 230V (L+N+G), 50–60Hz
OUTPUT: 1PH, 230V (L+N+G), 50/60Hz, 5kVA/6kVA
SYSTEM ONE-LINE DIAGRAM

DWG NO: SRVS5K6RI

REV. 0

PROJECT: DRAWINGS SHEET 4 OF 4

DRAWN: RANJITHA 08-FEB-22
ENGINEER: TONY CHEN 21-FEB-22
APPROVED: FEN WANG 21-FEB-22

ANGLE PROJECTION