

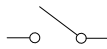

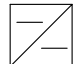
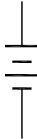


# Schneider Easy UPS On-line

Sheet No.	Component /Detail	Description
1	Drawing Guide	Schneider Easy UPS On-line Drawing Guide
2	Isometric Views	Schneider Easy UPS On-line Isometric View
3	General Arrangement -Rack mount	Schneider Easy UPS On-line General Arrangement-Rack inatallation
4	System One Line Diagram	Schneider Easy UPS On-line System Onleline Diagram

LEGEND			
SYMBOL	DESCRIPTION	SYMBOL	DESCRIPTION
	CIRCUIT BREAKER		AC-DC CONVERTER
	RELAY		DC-AC CONVERTER (INVERTER)
	DC-DC CONVERTER		BATTERY

THIS DRAWING AND SPECIFICATIONS HEREIN ARE THE PROPERTY OF SCHNEIDER ELECTRIC AND SHALL NOT BE COPIED, REPRODUCED OR USED IN WHOLE OR IN PART, AS THE BASIS FOR THE MANUFACTURE OR SALE OF ITEMS WITHOUT WRITTEN PERMISSION FROM SCHNEIDER ELECTRIC. THIS DRAWING IS BASED UPON LATEST AVAILABLE INFORMATION AND IS SUBJECT TO CHANGE WITHOUT NOTICE.



TITLE: Schneider Easy UPS On-line  
 SRVSPM10KRIL+SRV5240R1BP-9A  
 INPUT: 1PH, 230V (L+N+G), 50-60Hz  
 OUTPUT: 1PH, 230V (L+N+G), 50/60Hz, 10kVA  
 DRAWING GUIDE

DWG NO: SRVS10KRIL

REV. 0

DRAWN: DIBYA 09-MAR-22

ENGINEER: TONY CHEN 23-MAR-22

APPROVED: FEN WANG 23-MAR-22

ANGLE

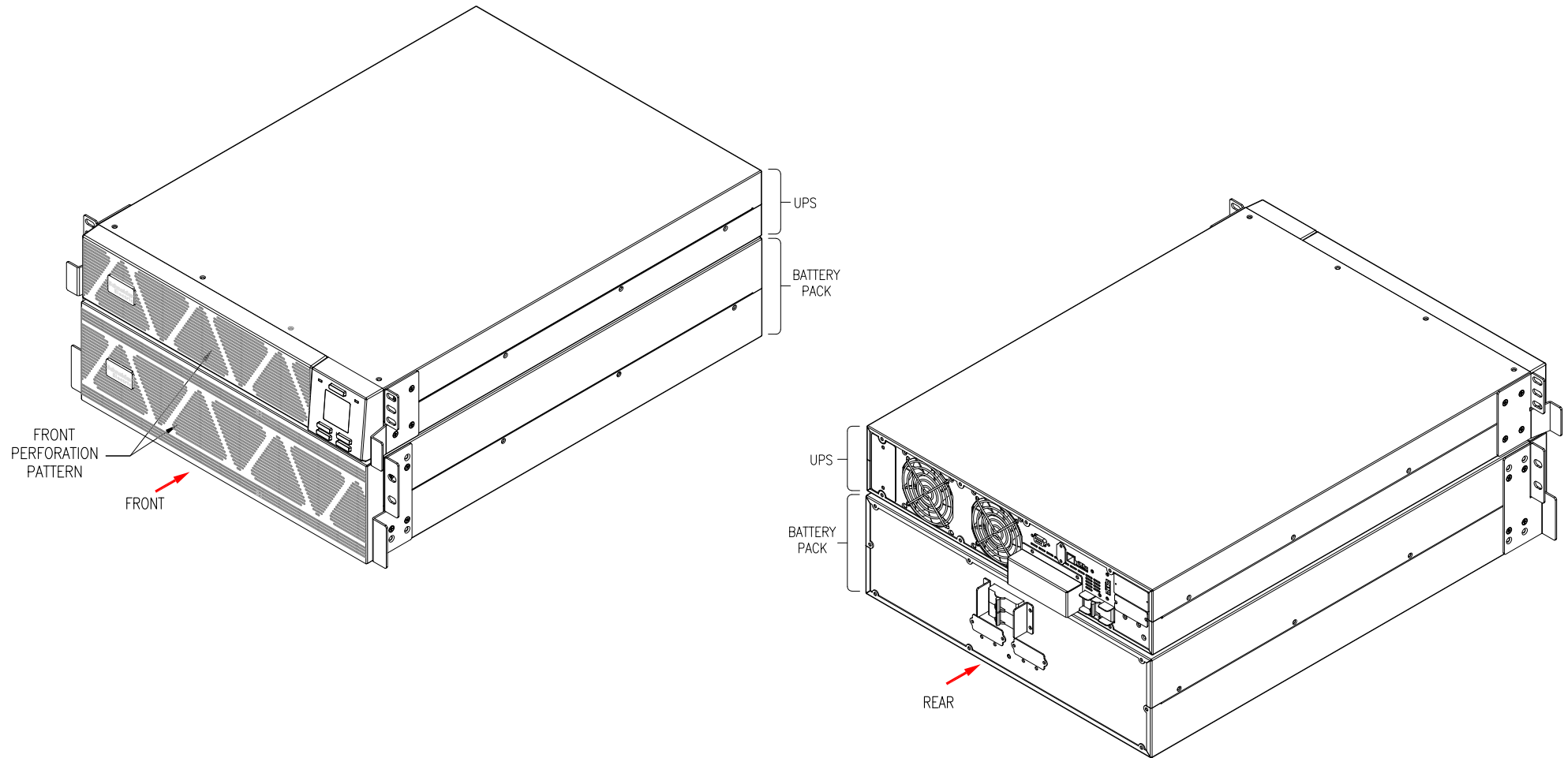
PROJECTION

N.A

PROJECT: DRAWINGS SHEET 1 OF 4

SKU #: SRVS10KRIL (SRVSPM10KRIL + SRVS240RLBP-9A)

RACK INSTALLATION (ISOMETRIC VIEWS)



NOTES:

1. INSTALLATION SHALL COMPLY WITH ALL APPLICABLE NATIONAL AND LOCAL ELECTRICAL REGULATIONS.
2. REFER TO PRODUCT MANUALS FOR ADDITIONAL DETAILS PRIOR TO INSTALLATION AND SITE PREPARATION WORK.

THIS DRAWING AND SPECIFICATIONS HEREIN ARE THE PROPERTY OF SCHNEIDER ELECTRIC AND SHALL NOT BE COPIED, REPRODUCED OR USED IN WHOLE OR IN PART, AS THE BASIS FOR THE MANUFACTURE OR SALE OF ITEMS WITHOUT WRITTEN PERMISSION FROM SCHNEIDER ELECTRIC. THIS DRAWING IS BASED UPON LATEST AVAILABLE INFORMATION AND IS SUBJECT TO CHANGE WITHOUT NOTICE.



TITLE: Schneider Easy UPS On-line  
SRVSPM10KRIL+SRVS240RLBP-9A  
INPUT: 1PH, 230V (L+N+G), 50-60Hz  
OUTPUT: 1PH, 230V (L+N+G), 50/60Hz, 10kVA  
ISOMETRIC VIEWS (UPS+BATTERY PACK)

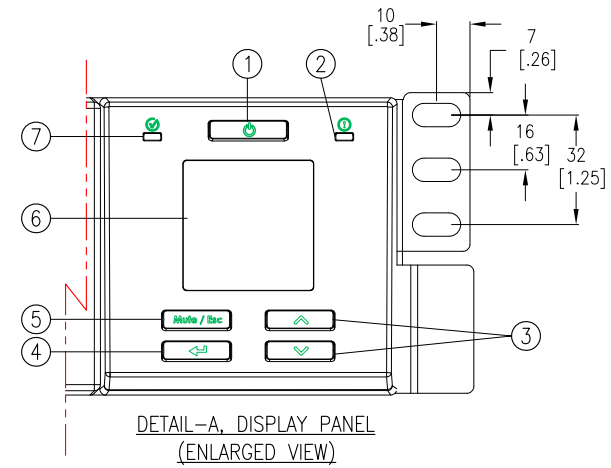
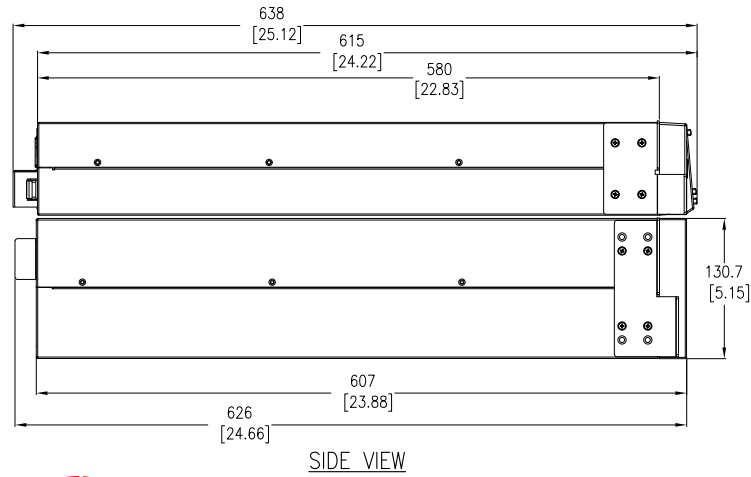
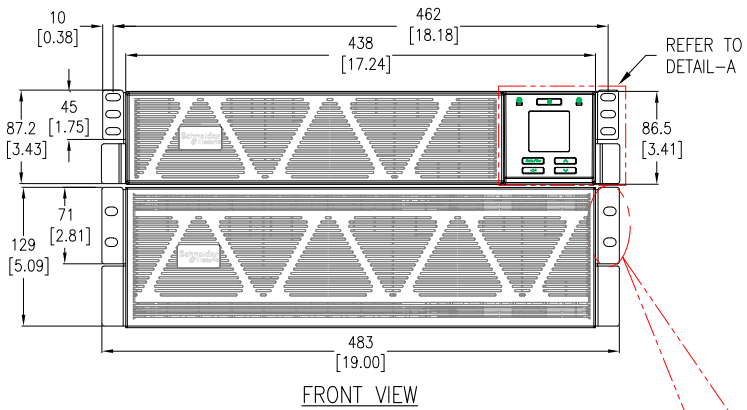
PROJECT: DRAWINGS SHEET 2 OF 4

DWG NO: SRVS10KRIL

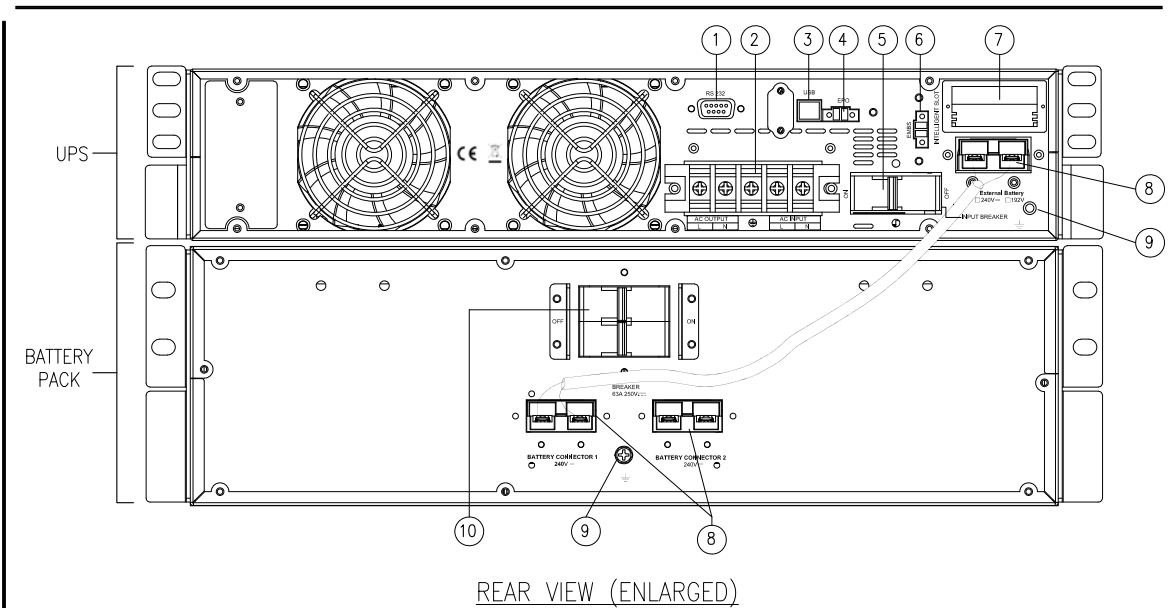
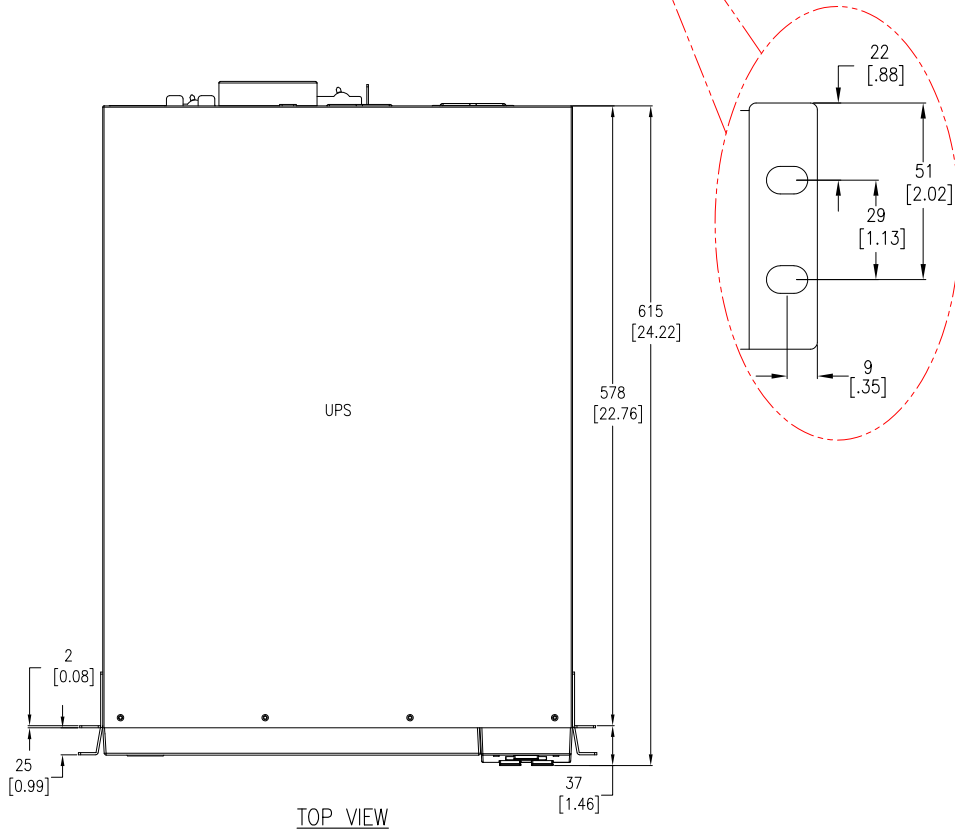
DRAWN:	DIBYA	09-MAR-22
ENGINEER:	TONY CHEN	23-MAR-22
APPROVED:	FEN WANG	23-MAR-22

REV. 0

FIRST ANGLE PROJECTION



- 1. Power ON/OFF button.
- 2. Alert LED
- 3. UP/DOWN arrow buttons.
- 4. ENTER button.
- 5. Mute/ESC button.
- 6. LCD Display.
- 7. Status LED



- ① SERIAL COMMUNICATION PORT (RS-232)
- ② INPUT AND OUTPUT HARDWIRE TERMINAL BLOCK (COVER NOT SHOWN)
- ③ USB PORT
- ④ EPO CONNECTOR
- ⑤ INPUT CIRCUIT BREAKER
- ⑥ EXTERNAL MAINTENANCE BYPASS SIGNAL PORT
- ⑦ INTELLIGENT SLOT FOR MANAGEMENT ACCESSORIES
- ⑧ BATTERY CONNECTOR (COVER NOT SHOWN)
- ⑨ GROUND SCREW
- ⑩ CIRCUIT BREAKER

- NOTES:
1. INSTALLATION SHALL COMPLY WITH ALL APPLICABLE NATIONAL AND LOCAL ELECTRICAL REGULATIONS.
  2. REFER TO PRODUCT MANUALS FOR ADDITIONAL DETAILS PRIOR TO INSTALLATION AND SITE PREPARATION WORK.
  3. ALL DIMENSIONS ARE IN MILLIMETERS [INCHES], UNLESS OTHERWISE SPECIFIED. DIMENSIONS EXCLUDE SCREWS AND PROTRUDING PARTS.
  4. CABLE ENTRY IS FROM REAR SIDE OF UNIT.
  5. NET WEIGHT : SRVSPM10KRIL + SRVS240R1BP-9A : 16 kg + 63 kg [35.27 lb + 138.9 lb].

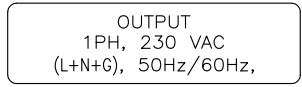
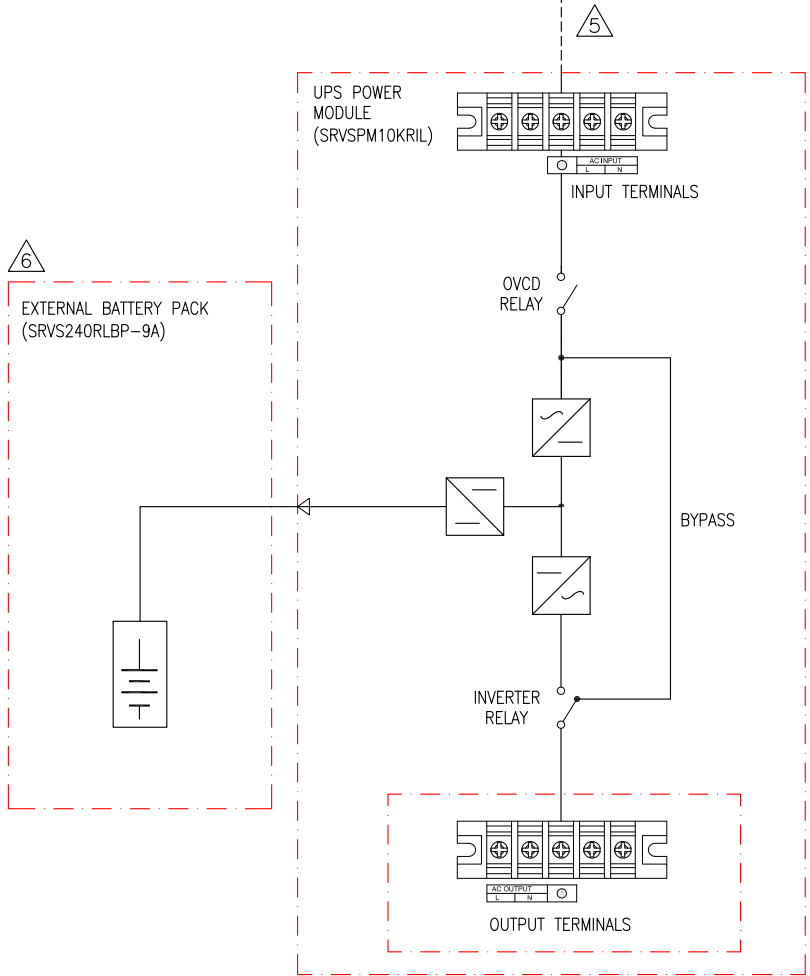
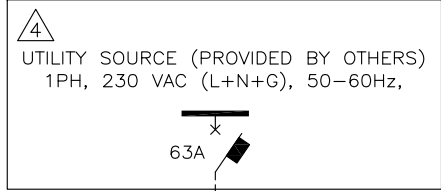
THIS DRAWING AND SPECIFICATIONS HEREIN ARE THE PROPERTY OF SCHNEIDER ELECTRIC AND SHALL NOT BE COPIED, REPRODUCED OR USED IN WHOLE OR IN PART, AS THE BASIS FOR THE MANUFACTURE OR SALE OF ITEMS WITHOUT WRITTEN PERMISSION FROM SCHNEIDER ELECTRIC. THIS DRAWING IS BASED UPON LATEST AVAILABLE INFORMATION AND IS SUBJECT TO CHANGE WITHOUT NOTICE.



TITLE: Schneider Easy UPS On-line  
SRVSPM10KRIL+SRVS240R1BP-9A  
INPUT: 1PH, 230V (L+N+G), 50-60Hz  
OUTPUT: 1PH, 230V (L+N+G), 50/60Hz, 10kVA  
GENERAL ARRANGEMENT-RACK INSTALLATION

PROJECT: GENERAL DRAWINGS SHEET 3 OF 4

DWG NO: SRVS10KRIL REV: 0  
DRAWN: DIBYA 09-MAR-22 FIRST ANGLE PROJECTION  
ENGINEER: TONY CHEN 23-MAR-22  
APPROVED: FEN WANG 23-MAR-22



△6

Battery Specification	
Battery Type	12V, 9Ah
Battery Pack Voltage	240V DC

- NOTES:
1. INSTALLATION SHALL COMPLY WITH ALL APPLICABLE NATIONAL AND LOCAL ELECTRICAL REGULATIONS.
  2. REFER TO PRODUCT DOCUMENTATION FOR ADDITIONAL DETAILS PRIOR TO INSTALLATION AND SITE PREPARATION WORK.
  3. DRAWING DEPICTS POWER SYSTEM CONNECTIONS AND IS NOT REPRESENTATIVE OF PHYSICAL LAYOUT. PLEASE REFER TO MECHANICAL DRAWINGS FOR MORE SPECIFIC PHYSICAL DATA.
  - △4. UTILITY SOURCE MUST BE 1PH, 230VAC (L+N+G), 50-60Hz PROVIDED BY OTHERS.
  - △5. DASHED LINES BETWEEN UTILITY SOURCE & THE UNIT REPRESENTS 4AWG/16mm<sup>2</sup> WIRE AND NOT PROVIDED WITH THE UNIT.
  - △6. A MAXIMUM OF 4 EXTERNAL BATTERY PACKS CAN BE CONNECTED DEPENDING ON THE RUN TIME REQUIREMENT.
  7. AT NOMINAL VOLTAGE, OUTPUT V THD 1% MAX. FOR FULL LINEAR LOAD, 4% MAX. FOR FULL RCD LOAD.

THIS DRAWING AND SPECIFICATIONS HEREIN ARE THE PROPERTY OF SCHNEIDER ELECTRIC AND SHALL NOT BE COPIED, REPRODUCED OR USED IN WHOLE OR IN PART, AS THE BASIS FOR THE MANUFACTURE OR SALE OF ITEMS WITHOUT WRITTEN PERMISSION FROM SCHNEIDER ELECTRIC. THIS DRAWING IS BASED UPON LATEST AVAILABLE INFORMATION AND IS SUBJECT TO CHANGE WITHOUT NOTICE.



TITLE: Schneider Easy UPS On-line  
SRVSPM10KRIL+SRVS240RLBP-9A  
INPUT: 1PH, 230V (L+N+G), 50-60Hz  
OUTPUT: 1PH, 230V (L+N+G), 50/60Hz, 10kVA  
SYSTEM ONELINE DIAGRAM

DWG NO: SRVS10KRIL  
DRAWN: DIBYA 09-MAR-22  
ENGINEER: TONY CHEN 23-MAR-22

REV. 0  
ANGLE PROJECTION