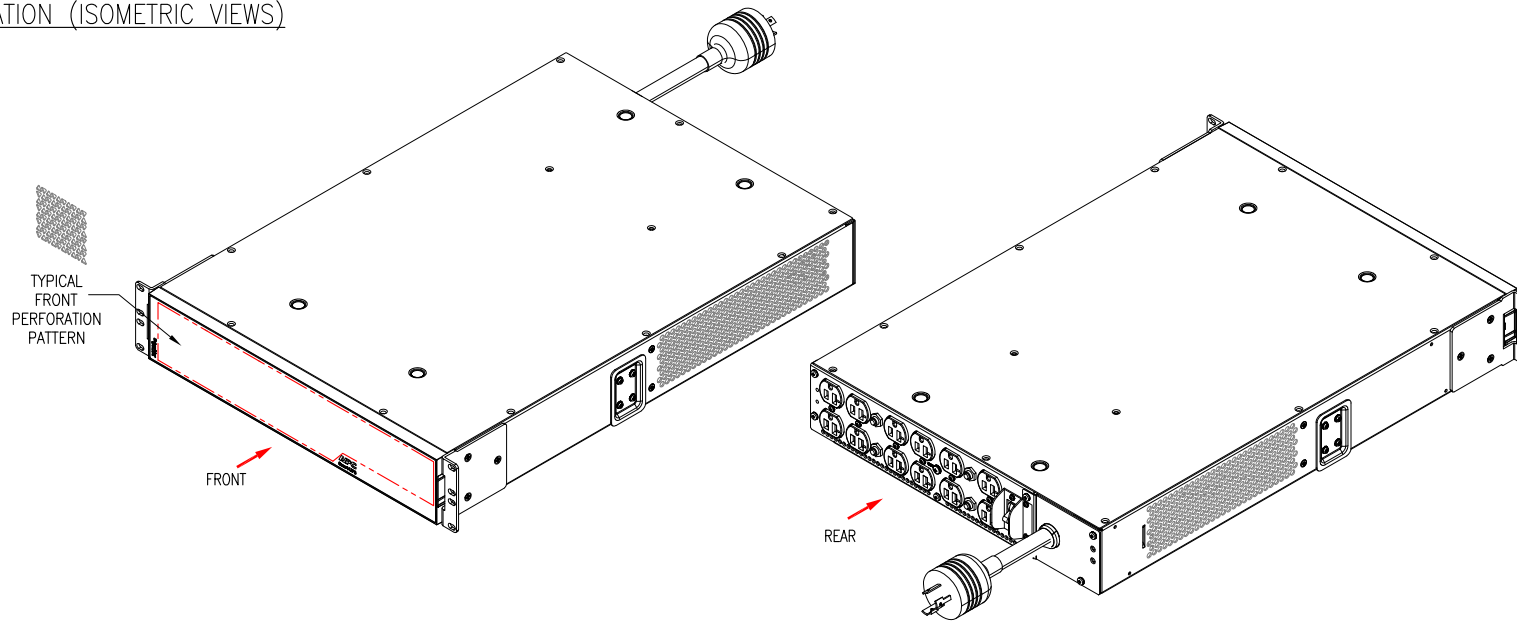
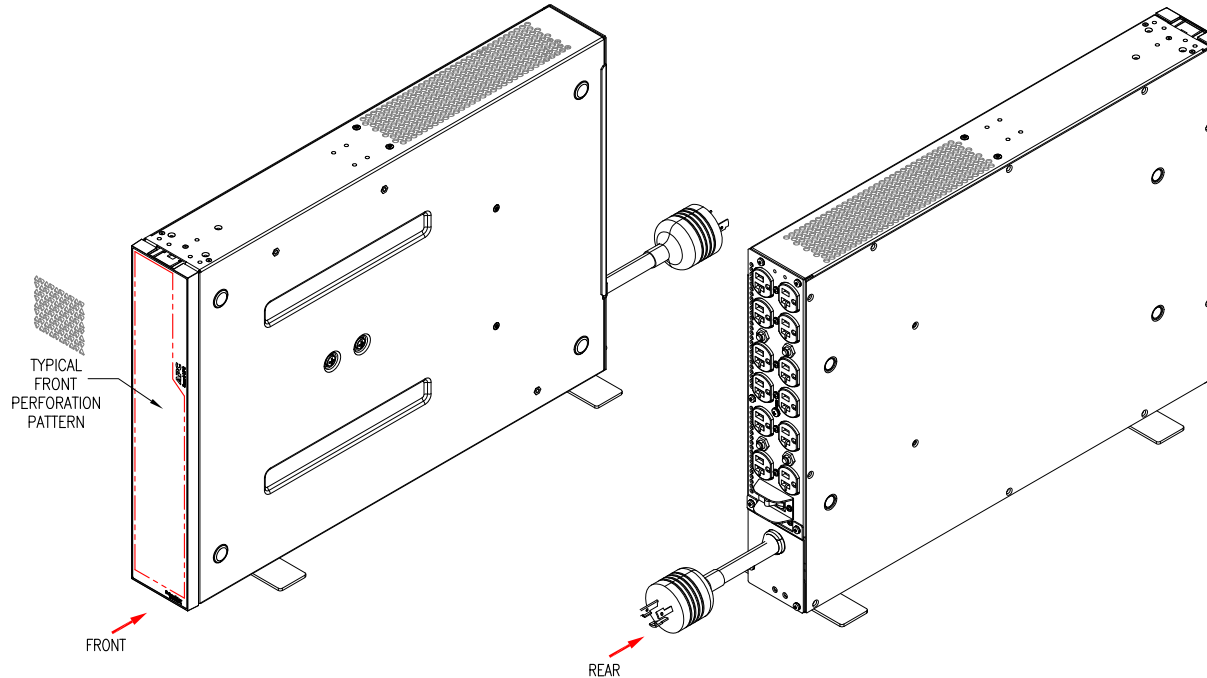


RACK INSTALLATION (ISOMETRIC VIEWS)



TOWER INSTALLATION (ISOMETRIC VIEWS)



NOTES:

1. INSTALLATION SHALL COMPLY WITH ALL APPLICABLE NATIONAL AND LOCAL ELECTRICAL REGULATIONS.
2. REFER TO PRODUCT MANUALS FOR ADDITIONAL DETAILS PRIOR TO INSTALLATION AND SITE PREPARATION WORK.

THIS DRAWING AND SPECIFICATIONS HEREIN ARE THE PROPERTY OF SCHNEIDER ELECTRIC AND SHALL NOT BE COPIED, REPRODUCED OR USED IN WHOLE OR IN PART, AS THE BASIS FOR THE MANUFACTURE OR SALE OF ITEMS WITHOUT WRITTEN PERMISSION FROM SCHNEIDER ELECTRIC. THIS DRAWING IS BASED UPON LATEST AVAILABLE INFORMATION AND IS SUBJECT TO CHANGE WITHOUT NOTICE.



TITLE:

APC Smart-UPS Ultra Online
STEP-DOWN TRANSFORMER
ISOMETRIC VIEWS

PROJECT: SUBMITTAL DRAWINGS SHEET 1 OF 3

DWG NO: SRTL5KRMTF

REV. 0

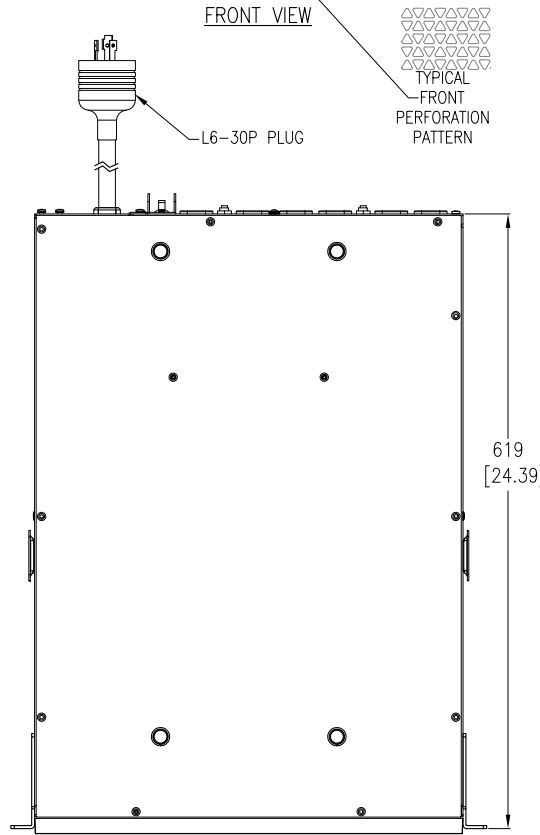
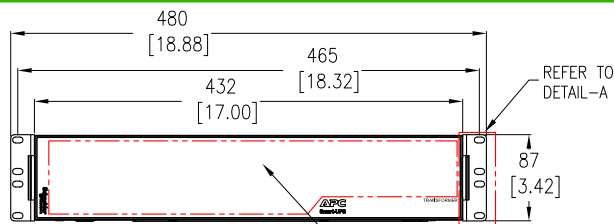
DRAWN: JAYAPRAKASH 30-NOV-21

ENGINEER: SANTHOSH/DILEEP 03-DEC-21

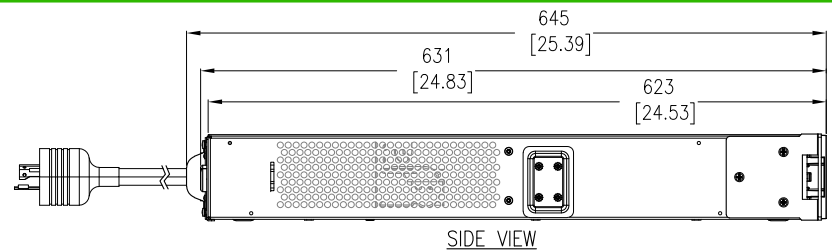
APPROVED: M LIPARE 03-DEC-21

FIRST
ANGLE
PROJECTION

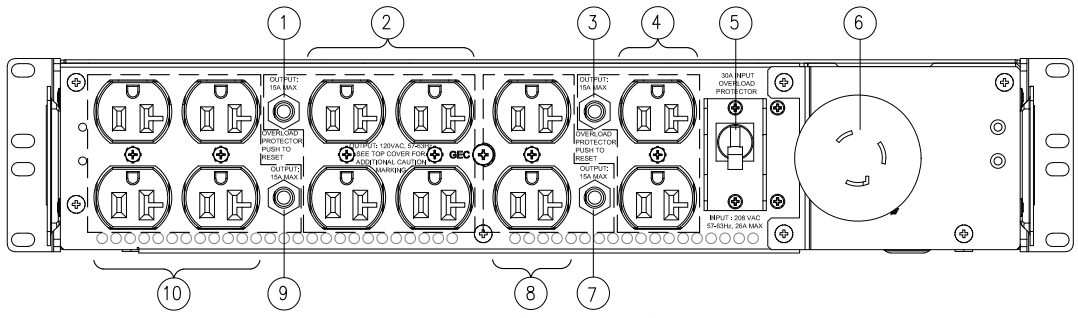
RACK INSTALLATION



TOP VIEW

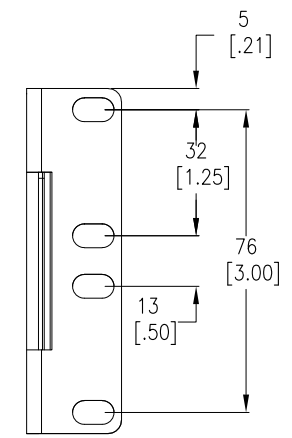


SIDE VIEW

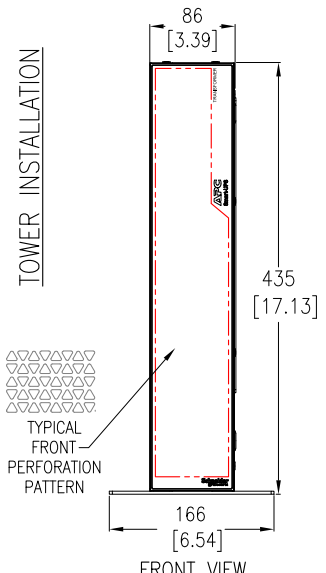


REAR VIEW (ENLARGED)

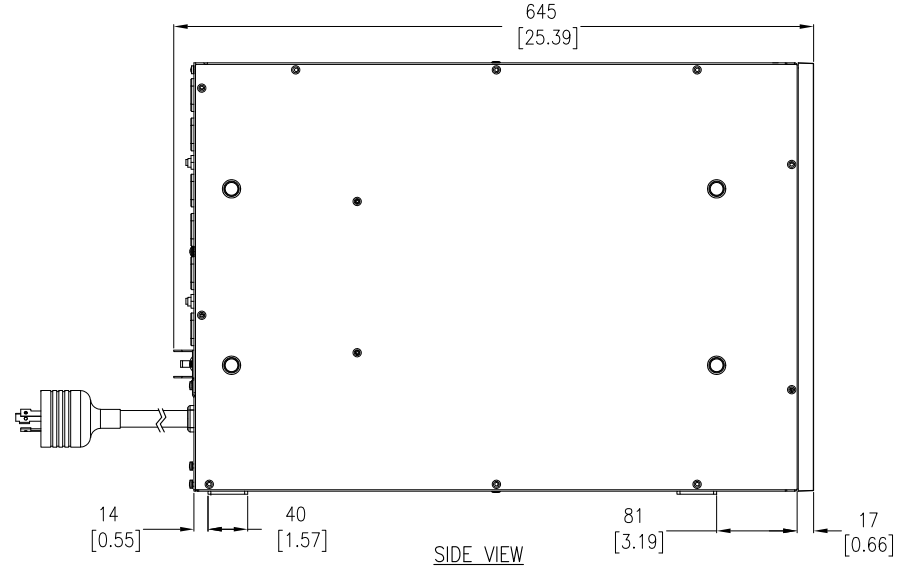
- ① THERMAL CIRCUIT BREAKER FOR GROUP 2 OUTPUT SOCKETS
- ② GROUP 2 OUTPUT SOCKET (5-20R)
- ③ THERMAL CIRCUIT BREAKER FOR GROUP 4 OUTPUT SOCKETS
- ④ GROUP 4 OUTPUT SOCKET (5-20R)
- ⑤ INPUT CIRCUIT BREAKER
- ⑥ INPUT POWER CORD WITH L6-30P PLUG
- ⑦ THERMAL CIRCUIT BREAKER FOR GROUP 3 OUTPUT SOCKETS
- ⑧ GROUP 3 OUTPUT SOCKET (5-20R)
- ⑨ THERMAL CIRCUIT BREAKER FOR GROUP 1 OUTPUT SOCKETS
- ⑩ GROUP 1 OUTPUT SOCKET (5-20R)



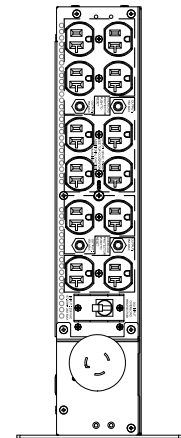
DETAIL-A (ENLARGED)



FRONT VIEW



SIDE VIEW



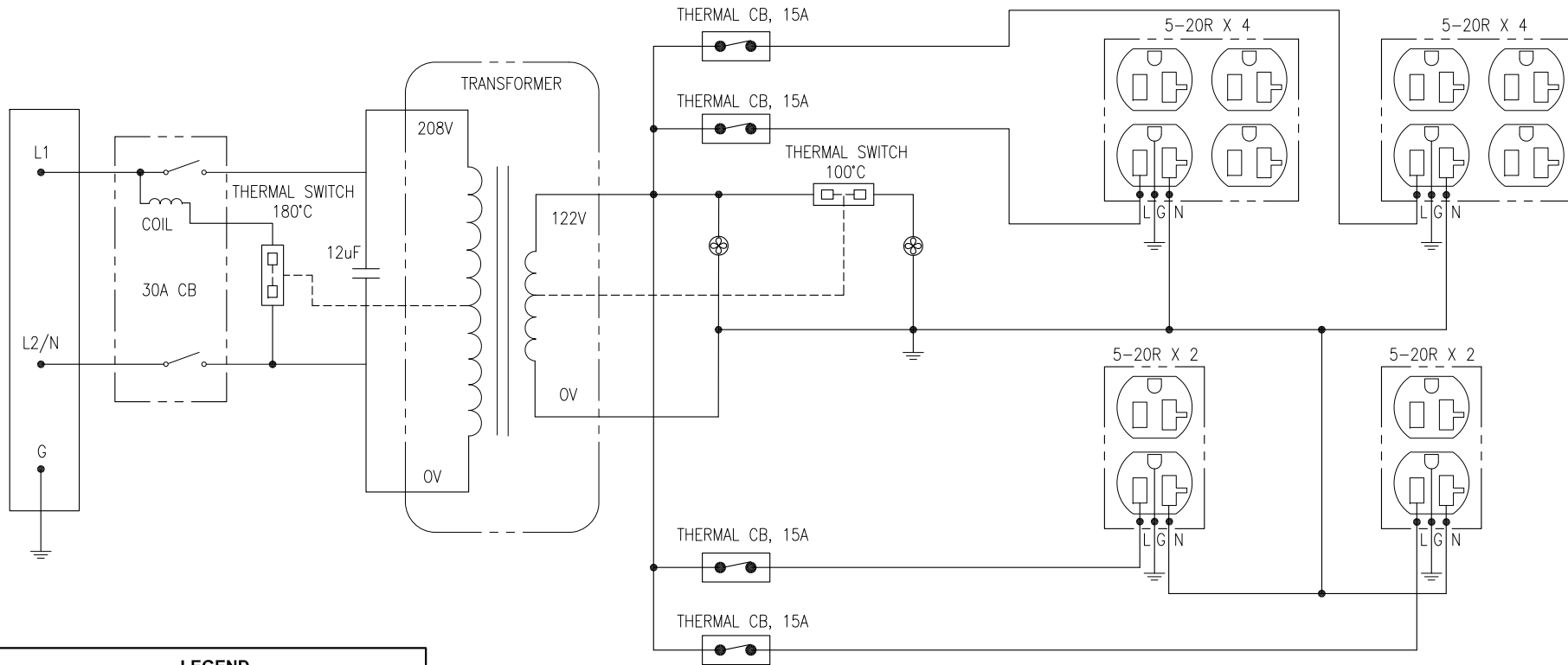
REAR VIEW

- NOTES:**
1. INSTALLATION SHALL COMPLY WITH ALL APPLICABLE NATIONAL AND LOCAL ELECTRICAL REGULATIONS.
 2. REFER TO PRODUCT MANUALS FOR ADDITIONAL DETAILS PRIOR TO INSTALLATION AND SITE PREPARATION WORK.
 3. ALL DIMENSIONS ARE IN MILLIMETERS [INCHES], UNLESS OTHERWISE SPECIFIED. DIMENSIONS EXCLUDE SCREWS AND PROTRUDING PARTS.
 4. CABLE ENTRY IS FROM REAR SIDE OF UNIT.
 5. NET WEIGHT OF THE UNIT: 39.6kg [87.3 lb].
 6. UNIT CAN BE TOWER INSTALLED IF REQUIRED. USE THE PROVIDED STABILIZER BRACKETS FOR TOWER INSTALLATION.

THIS DRAWING AND SPECIFICATIONS HEREIN ARE THE PROPERTY OF SCHNEIDER ELECTRIC AND SHALL NOT BE COPIED, REPRODUCED OR USED IN WHOLE OR IN PART, AS THE BASIS FOR THE MANUFACTURE OR SALE OF ITEMS WITHOUT WRITTEN PERMISSION FROM SCHNEIDER ELECTRIC. THIS DRAWING IS BASED UPON LATEST AVAILABLE INFORMATION AND IS SUBJECT TO CHANGE WITHOUT NOTICE.



TITLE:	APC Smart-UPS Ultra Online STEP-DOWN TRANSFORMER GENERAL ARRANGEMENT		DWG NO:	SRTL5KRMTF	REV:	0
PROJECT:	SUBMITTAL DRAWINGS	SHEET 2 OF 3	DRAWN:	JAYAPRAKASH	30-NOV-21	FIRST ANGLE PROJECTION
			ENGINEER:	SANTHOSH/DILEEP	03-DEC-21	
			APPROVED:	M LIPARE	03-DEC-21	



LEGEND			
SYMBOL	DESCRIPTION	SYMBOL	DESCRIPTION
	TRANSFORMER		THERMAL CIRCUIT BREAKER
	DC SHUNT TRIP MCB		DP MCB
	THERMAL SWITCH		GROUND

Nominal Input Voltage	208VAC
Nominal Output Voltage	120VAC
Input Voltage Range	Nominal Voltage $\pm 10\%$
Input Current Rating	24A
Input Frequency	60Hz ± 3 Hz
Efficiency	90-95%
Maximum Output Power	4500VA

NOTES:

1. INSTALLATION SHALL COMPLY WITH ALL APPLICABLE NATIONAL AND LOCAL ELECTRICAL REGULATIONS.
2. REFER TO PRODUCT MANUALS FOR ADDITIONAL DETAILS PRIOR TO INSTALLATION AND SITE PREPARATION WORK.
3. UTILITY SOURCE MUST BE 2 WIRE+GROUND, PROVIDED BY OTHERS.

THIS DRAWING AND SPECIFICATIONS HEREIN ARE THE PROPERTY OF SCHNEIDER ELECTRIC AND SHALL NOT BE COPIED, REPRODUCED OR USED IN WHOLE OR IN PART, AS THE BASIS FOR THE MANUFACTURE OR SALE OF ITEMS WITHOUT WRITTEN PERMISSION FROM SCHNEIDER ELECTRIC. THIS DRAWING IS BASED UPON LATEST AVAILABLE INFORMATION AND IS SUBJECT TO CHANGE WITHOUT NOTICE.

Schneider Electric

TITLE:
APC Smart-UPS Ultra Online
STEP-DOWN TRANSFORMER
WIRING DIAGRAM

PROJECT: SUBMITTAL DRAWINGS SHEET 3 OF 3

DWG NO:	SRTL5KRMTF	REV:	0
DRAWN:	JAYAPRAKASH	30-NOV-21	FIRST ANGLE PROJECTION
ENGINEER:	SANTHOSH/DILEEP	03-DEC-21	
APPROVED:	M LIPARE	03-DEC-21	