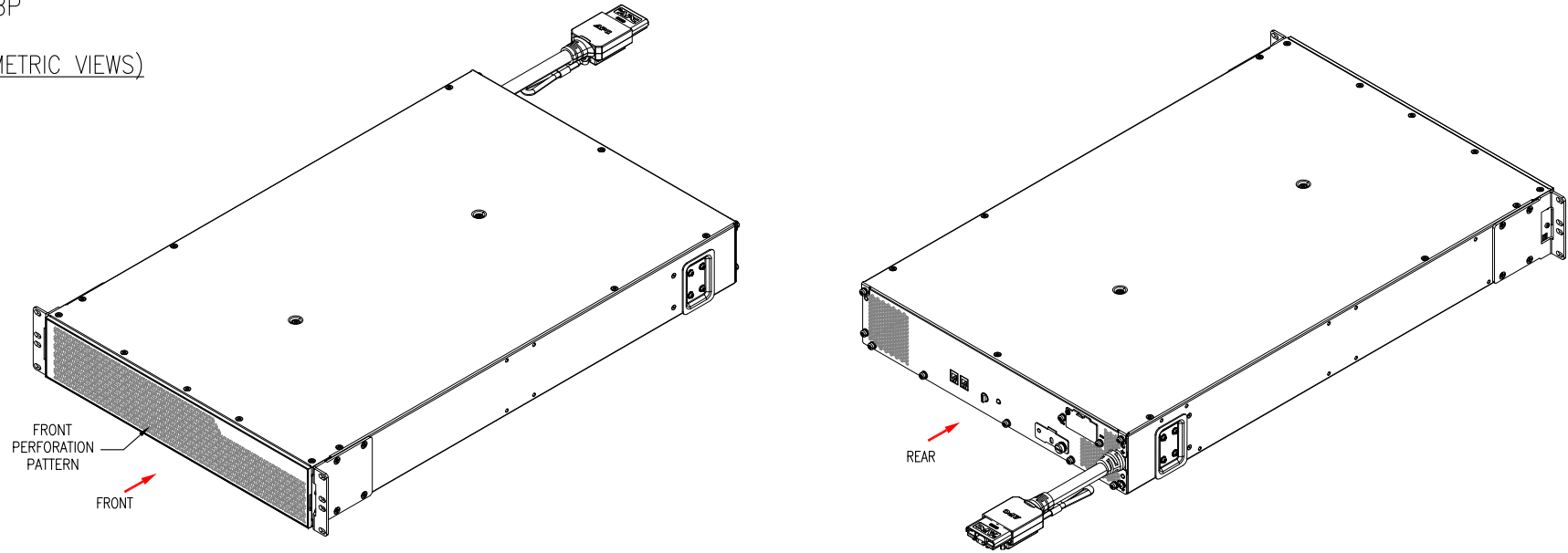
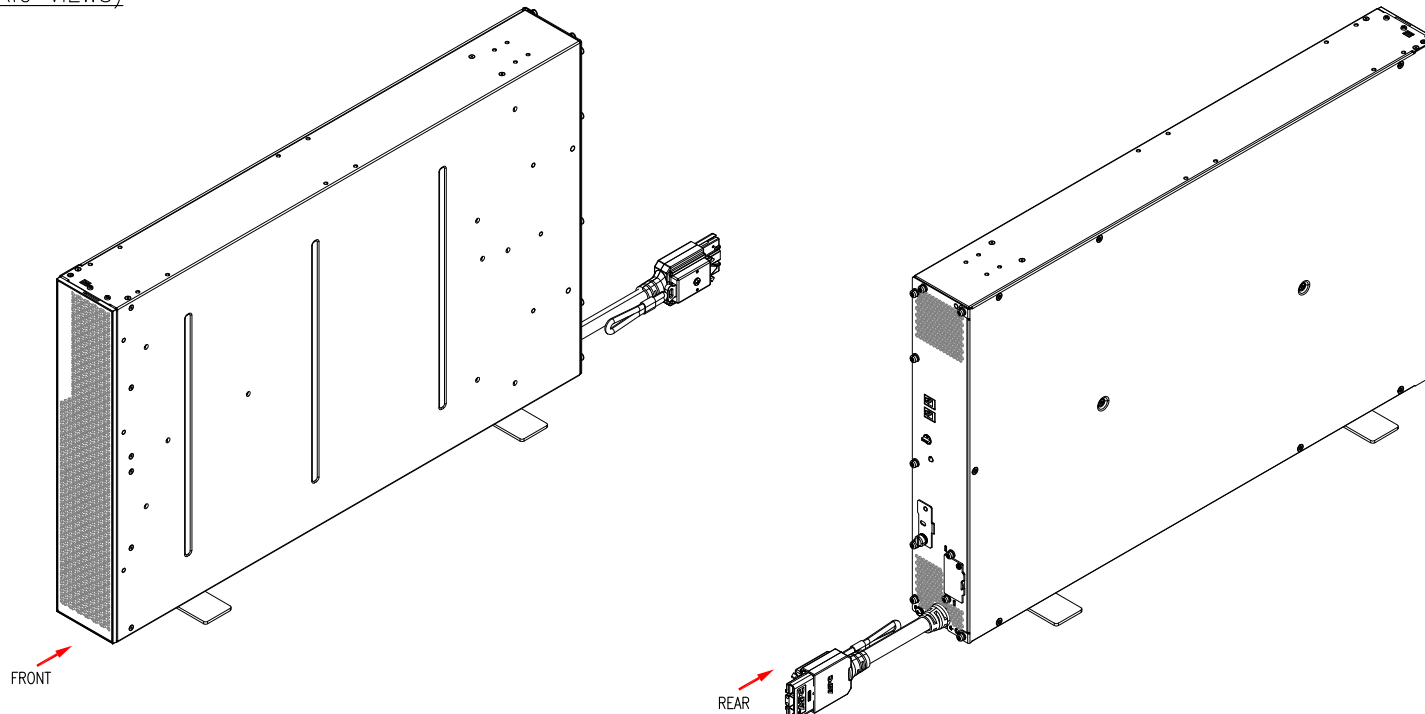


SKU #: SRTL180RM2UBP

RACK INSTALLATION (ISOMETRIC VIEWS)



TOWER INSTALLATION (ISOMETRIC VIEWS)



NOTES:

1. INSTALLATION SHALL COMPLY WITH ALL APPLICABLE NATIONAL AND LOCAL ELECTRICAL REGULATIONS.
2. REFER TO PRODUCT MANUALS FOR ADDITIONAL DETAILS PRIOR TO INSTALLATION AND SITE PREPARATION WORK.

THIS DRAWING AND SPECIFICATIONS HEREIN ARE THE PROPERTY OF SCHNEIDER ELECTRIC AND SHALL NOT BE COPIED, REPRODUCED OR USED IN WHOLE OR IN PART, AS THE BASIS FOR THE MANUFACTURE OR SALE OF ITEMS WITHOUT WRITTEN PERMISSION FROM SCHNEIDER ELECTRIC. THIS DRAWING IS BASED UPON LATEST AVAILABLE INFORMATION AND IS SUBJECT TO CHANGE WITHOUT NOTICE.



TITLE:

APC Smart-UPS Li-ion
180V BATTERY PACK
ISOMETRIC VIEWS

PROJECT: SUBMITTAL DRAWINGS SHEET 1 OF 2

DWG NO: SRTL180RM2UBP

REV. 0

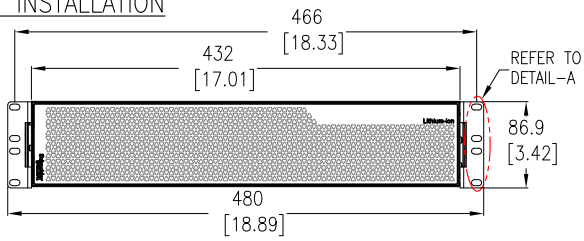
DRAWN: RANJITHA 01-SEP-21

ENGINEER: ASHOK 16-SEP-21

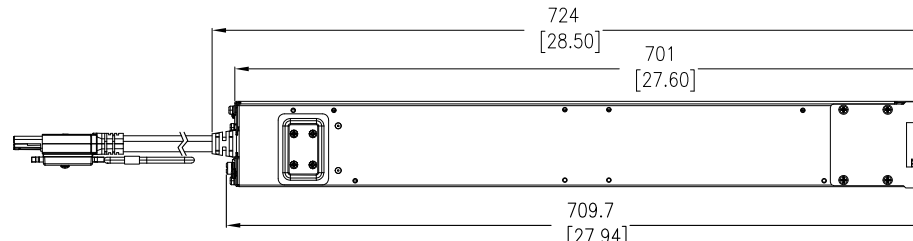
APPROVED: M LIPARE 16-SEP-21

FIRST
ANGLE
PROJECTION

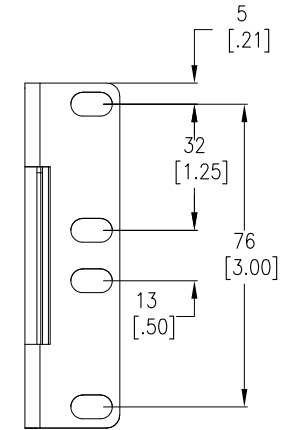
RACK INSTALLATION



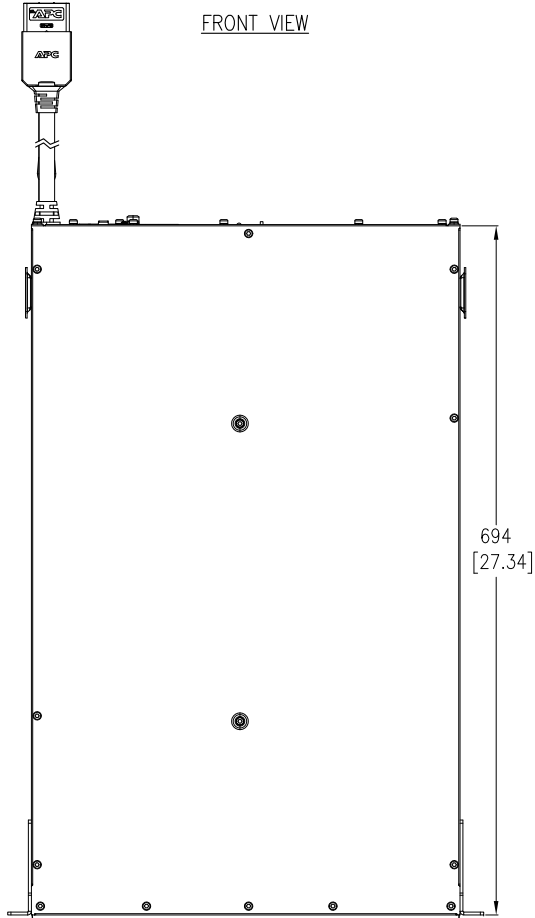
FRONT VIEW



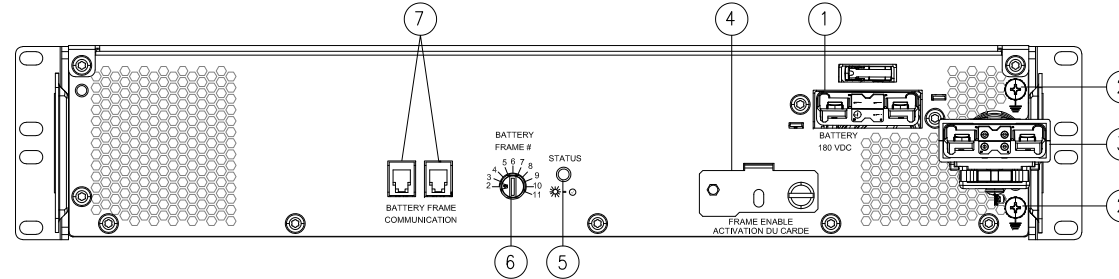
SIDE VIEW



DETAIL-A (ENLARGED)



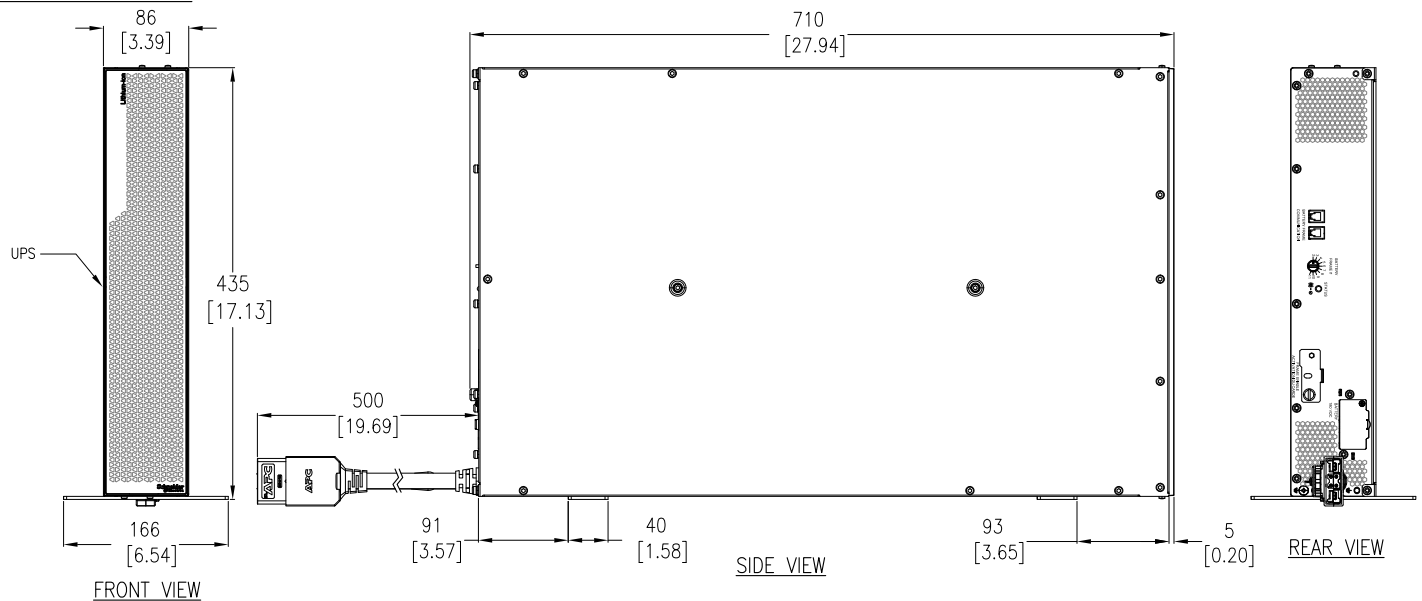
TOP VIEW



REAR VIEW (ENLARGED)

- ① BATTERY RECEPTACLE (PROTECTIVE COVER NOT SHOWN)
- ② GROUND TERMINAL
- ③ BATTERY CONNECTION CABLE
- ④ XLBP ENABLE SWITCH
- ⑤ XLBP STATUS LED
- ⑥ XLBP ID SELECTOR SWITCH
- ⑦ BATTERY COMMUNICATION PORT

TOWER INSTALLATION



FRONT VIEW

SIDE VIEW

REAR VIEW

Battery type	Lithium-ion
Number of battery modules	2
Voltage of each battery module	180V
4 Ah per battery module (usable: 2.47 Ah)	

- NOTES:
- INSTALLATION SHALL COMPLY WITH ALL APPLICABLE NATIONAL AND LOCAL ELECTRICAL REGULATIONS.
 - REFER TO PRODUCT MANUALS FOR ADDITIONAL DETAILS PRIOR TO INSTALLATION AND SITE PREPARATION WORK.
 - ALL DIMENSIONS ARE IN MILLIMETERS [INCHES], UNLESS OTHERWISE SPECIFIED. DIMENSIONS EXCLUDE SCREWS AND PROTRUDING PARTS.
 - CABLE ENTRY IS FROM REAR SIDE OF UNIT.
 - NET WEIGHT OF THE UNIT: 11.2kg [24.69 lb].

THIS DRAWING AND SPECIFICATIONS HEREIN ARE THE PROPERTY OF SCHNEIDER ELECTRIC AND SHALL NOT BE COPIED, REPRODUCED OR USED IN WHOLE OR IN PART, AS THE BASIS FOR THE MANUFACTURE OR SALE OF ITEMS WITHOUT WRITTEN PERMISSION FROM SCHNEIDER ELECTRIC. THIS DRAWING IS BASED UPON LATEST AVAILABLE INFORMATION AND IS SUBJECT TO CHANGE WITHOUT NOTICE.



TITLE:
APC Smart-UPS Li-ion
180V BATTERY PACK
GENERAL ARRANGEMENT

PROJECT: SUBMITTAL DRAWINGS SHEET 2 OF 2

DWG NO:	SRTL180RM2UBP	REV:	0
DRAWN:	RANJITHA	DATE:	01-SEP-21
ENGINEER:	ASHOK	DATE:	16-SEP-21
APPROVED:	M LIPARE	DATE:	16-SEP-21

FIRST ANGLE PROJECTION