

- NOTES:**
1. INSTALLATION SHALL COMPLY WITH ALL APPLICABLE NATIONAL, STATE AND LOCAL CODES.
 2. SEE PRODUCT DOCUMENTATION FOR FURTHER INFORMATION
 3. UNLESS OTHERWISE SPECIFIED, ALL DIMENSIONS ARE IN INCHES[MILLIMETERS].
 4. NET WEIGHT OF UNIT IS 7.10LBS [3.23kg].
 5. UNIVERSAL MOUNTING BRACKET IS AN ALTERNATIVE MOUNTING METHOD TO THE TOOLLESS MOUNT FOR 3RD PARTY ENCLOSURES. BRACKET IS PROVIDED WITH THE UNIT. DETAILED INSTALLATION INSTRUCTIONS CAN BE FOUND IN THE PROVIDED MANUAL.
 6. BRACKET KITS TO MOUNT TO SPECIFIC 3RD PARTY ENCLOSURES ARE AVAILABLE AS OPTIONS.
- △7. REFER TO WARNING LABEL ON REAR OF UNIT FOR SCREW MOUNTING.

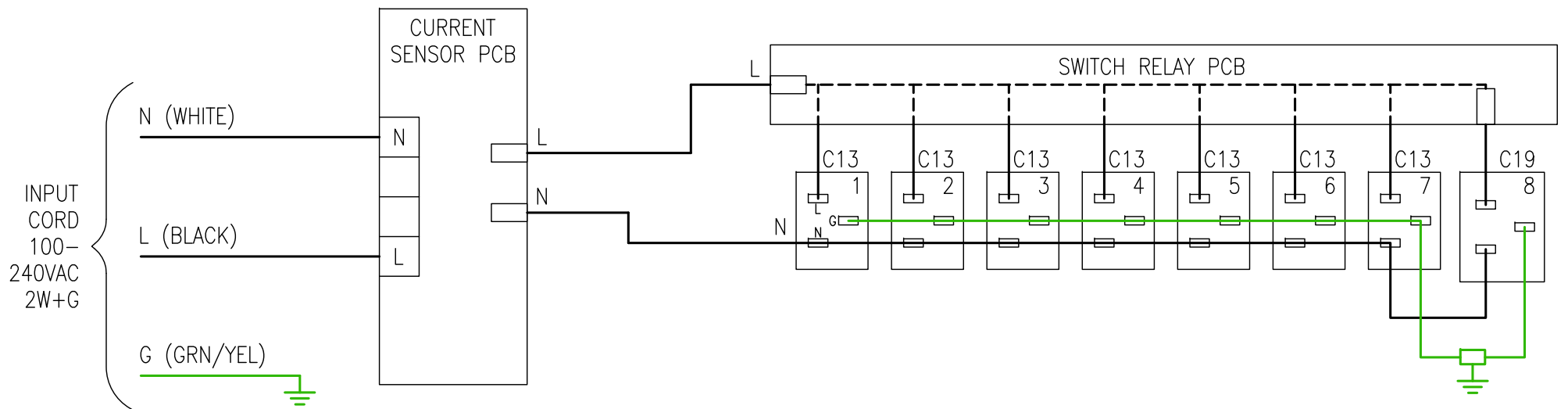
THIS DRAWING AND SPECIFICATIONS HEREIN ARE THE PROPERTY OF SCHNEIDER ELECTRIC AND SHALL NOT BE COPIED, REPRODUCED OR USED IN WHOLE OR IN PART, AS THE BASIS FOR THE MANUFACTURE OR SALE OF ITEMS WITHOUT WRITTEN PERMISSION FROM SCHNEIDER ELECTRIC. THIS DRAWING IS BASED UPON LATEST AVAILABLE INFORMATION AND IS SUBJECT TO CHANGE WITHOUT NOTICE.



TITLE: RACK PDU 2G, SWITCHED
 ZERO U, 16-20A, 100-240VAC
 INPUT: IEC 320 C20
 OUTPUT: (7)IEC 320 C13; (1)IEC 320 C19
 MAIN MECHANICAL

PROJECT: STD SUBMITTAL DRAWINGS SHEET 1 OF 1

DWG NO:	AP8958		REV.	0
DRAWN BY:	V BUSH	20-OCT-10	THIRD	ANGLE
ENGINEER:	Y JIANG/T HORSTMANN	20-OCT-10	PROJ	
APPROVED BY:	M LEPARD/B SHERIDAN	20-OCT-10		



NOTES:

1. INSTALLATION SHALL COMPLY WITH ALL APPLICABLE NATIONAL, STATE AND LOCAL CODES.
2. SEE PRODUCT DOCUMENTATION FOR FURTHER INFORMATION
3. THIS DRAWING DEPICTS THE POWER SYSTEM CONNECTIONS AND IS NOT REPRESENTATIVE OF THE PHYSICAL LAYOUT. PLEASE REFER TO MECHANICAL DRAWINGS FOR PHYSICAL LAYOUT.

THIS DRAWING AND SPECIFICATIONS HEREIN ARE THE PROPERTY OF SCHNEIDER ELECTRIC AND SHALL NOT BE COPIED, REPRODUCED OR USED IN WHOLE OR IN PART, AS THE BASIS FOR THE MANUFACTURE OR SALE OF ITEMS WITHOUT WRITTEN PERMISSION FROM SCHNEIDER ELECTRIC. THIS DRAWING IS BASED UPON LATEST AVAILABLE INFORMATION AND IS SUBJECT TO CHANGE WITHOUT NOTICE.



TITLE: RACK PDU 2G, SWITCHED
 ZERO U, 16-20A, 100-240VAC
 INPUT: IEC 320 C20
 OUTPUT: (7)IEC 320 C13, (1)IEC 320 C19
 ELECTRICAL SCHEMATIC
 PROJECT: STD SUBMITTAL DRAWINGS SHEET 2 OF 2

DWG NO:	AP8958	REV:	0
DRAWN BY:	V BUSH	20-OCT-10	PROJ
ENGINEER:	Y JIANG/T HORSTMANN	20-OCT-10	ANGLE
APPROVED BY:	M LEPARD/B SHERIDAN	20-OCT-10	N.A.