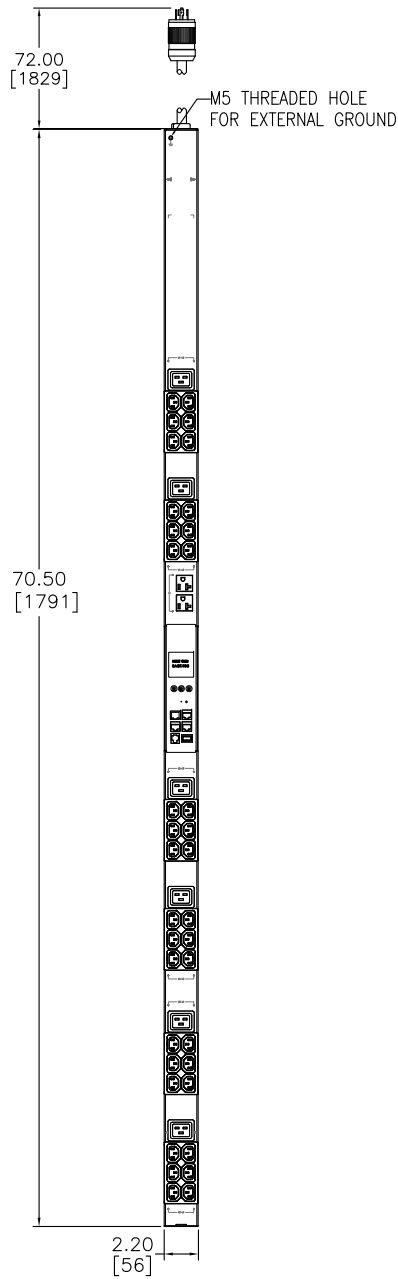
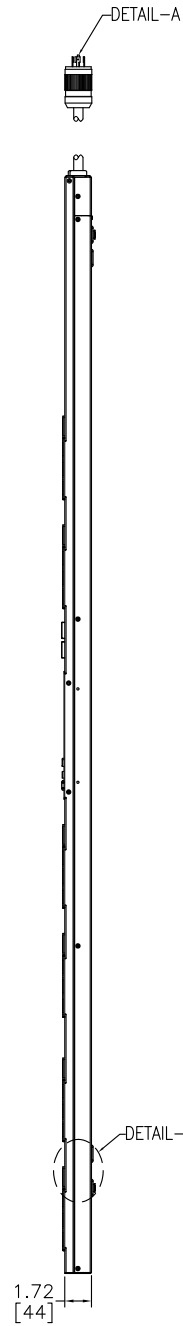


DETAIL A

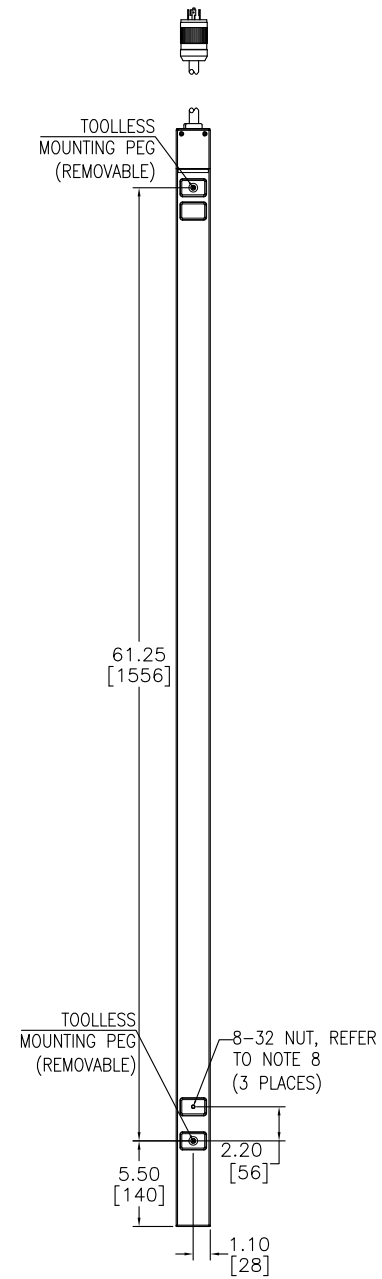
NEMA L21-20P PLUG--ENLARGED)



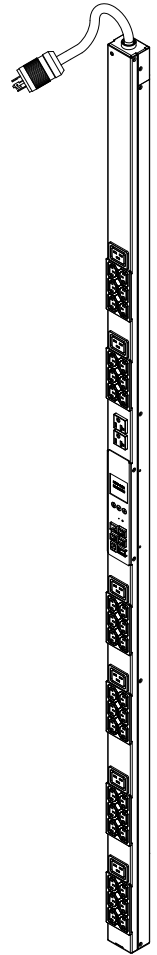
FRONT VIEW



SIDE VIEW



REAR VIEW



ISOMETRIC VIEW

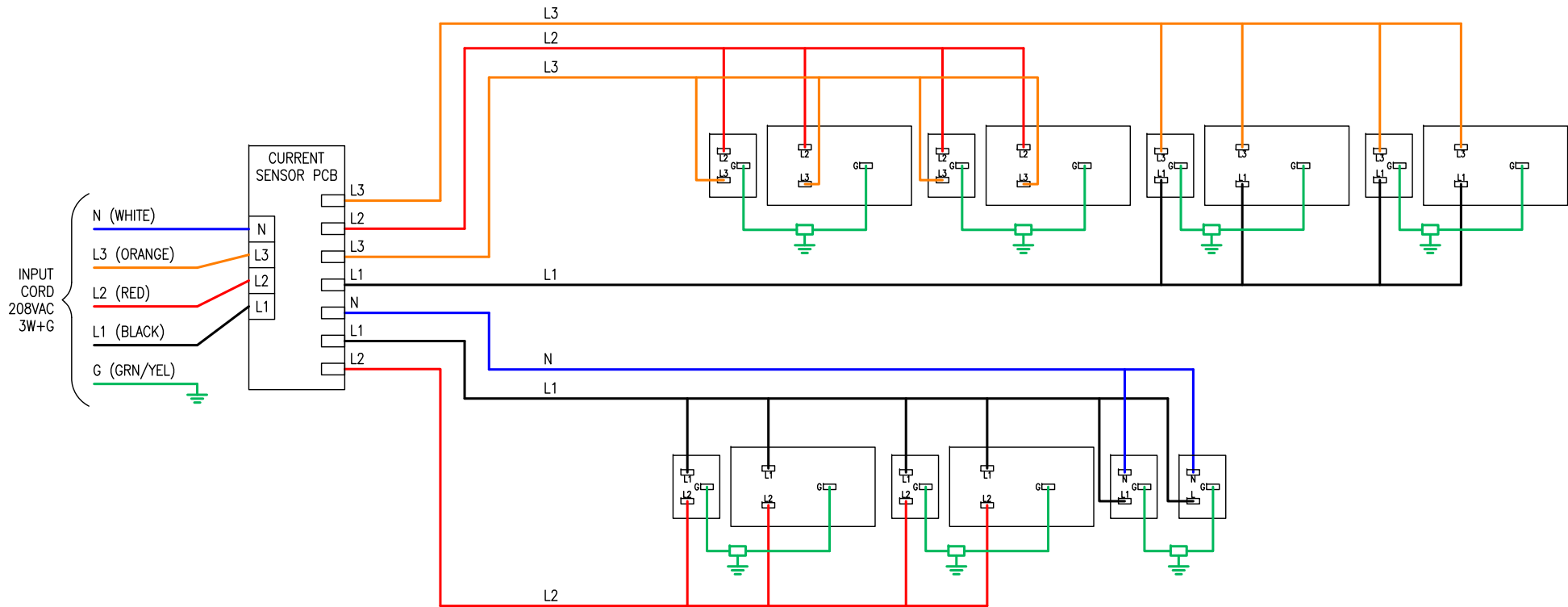
NOTES:

1. INSTALLATION SHALL COMPLY WITH ALL APPLICABLE NATIONAL, STATE AND LOCAL CODES.
2. SEE PRODUCT DOCUMENTATION FOR FURTHER INFORMATION
3. UNLESS OTHERWISE SPECIFIED, ALL DIMENSIONS ARE IN INCHES[MILLIMETERS].
4. NET WEIGHT OF UNIT IS 13.94LBS [6.34kg].
5. LENGTH OF THE CORD IS 72IN [1829mm].
6. UNIVERSAL MOUNTING BRACKET IS AN ALTERNATIVE MOUNTING METHOD TO THE TOOLLESS MOUNT FOR 3RD PARTY ENCLOSURES. BRACKET IS PROVIDED WITH THE UNIT. DETAILED INSTALLATION INSTRUCTIONS CAN BE FOUND IN THE PROVIDED MANUAL.
7. BRACKET KITS TO MOUNT TO SPECIFIC 3RD PARTY ENCLOSURES ARE AVAILABLE AS OPTIONS.
8. REFER TO WARNING LABEL ON REAR OF UNIT FOR SCREW MOUNTING.

THIS DRAWING AND SPECIFICATIONS HEREIN ARE THE PROPERTY OF SCHNEIDER ELECTRIC AND SHALL NOT BE COPIED, REPRODUCED OR USED IN WHOLE OR IN PART, AS THE BASIS FOR THE MANUFACTURE OR SALE OF ITEMS WITHOUT WRITTEN PERMISSION FROM SCHNEIDER ELECTRIC. THIS DRAWING IS BASED UPON LATEST AVAILABLE INFORMATION AND IS SUBJECT TO CHANGE WITHOUT NOTICE.



TITLE: RACK PDU 2G, METERED ZERO U, 20A, 208V INPUT: NEMA L21-20P OUTPUT: (2)NEMA 5-20R, (36)IEC 320 C13, (6)IEC 320 C19 MAIN MECHANICAL	DWG NO: AP8861	REV. 1
PROJECT: SUBMITTAL DRAWINGS	DRAWN BY: V BUSH	27-AUG-10
SHEET 1 OF 2	ENGINEER: Y JIANG/T HORSTMANN	27-AUG-10
	APPROVED BY: B SHERIDAN	27-AUG-10
		THIRD ANGLE PROJ



NOTES:

1. INSTALLATION SHALL COMPLY WITH ALL APPLICABLE NATIONAL, STATE AND LOCAL CODES.
2. SEE PRODUCT DOCUMENTATION FOR FURTHER INFORMATION
3. THIS DRAWING DEPICTS THE POWER SYSTEM CONNECTIONS AND IS NOT REPRESENTATIVE OF THE PHYSICAL LAYOUT. PLEASE REFER TO MECHANICAL DRAWINGS FOR PHYSICAL LAYOUT.

THIS DRAWING AND SPECIFICATIONS HEREIN ARE THE PROPERTY OF SCHNEIDER ELECTRIC AND SHALL NOT BE COPIED, REPRODUCED OR USED IN WHOLE OR IN PART, AS THE BASIS FOR THE MANUFACTURE OR SALE OF ITEMS WITHOUT WRITTEN PERMISSION FROM SCHNEIDER ELECTRIC. THIS DRAWING IS BASED UPON LATEST AVAILABLE INFORMATION AND IS SUBJECT TO CHANGE WITHOUT NOTICE.



TITLE: RACK PDU 2G, METERED ZERO U, 20A, 208V INPUT: NEMA L21-20P OUTPUT: (2)NEMA 5-20R, (36)IEC 320 C13, (6)IEC 320 C19 ELECTRICAL SCHEMATIC	DWG NO: AP8861	REV. 1
PROJECT: SUBMITTAL DRAWINGS	DRAWN BY: V BUSH/S CUNHA	12-MAR-15
SHEET 2 OF 2	ENGINEER: T HORSTMANN/B MITCHELL	12-MAR-15
	APPROVED BY: J KUMMER	12-MAR-15
		PROJ ANGLE N/A