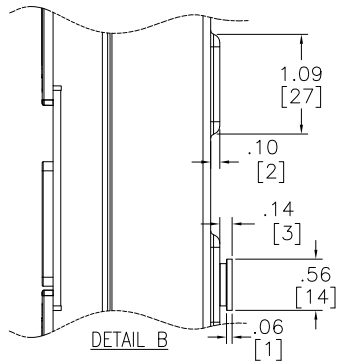
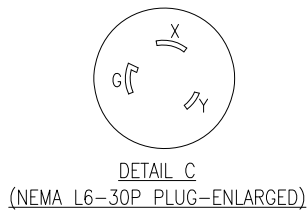


DETAIL A

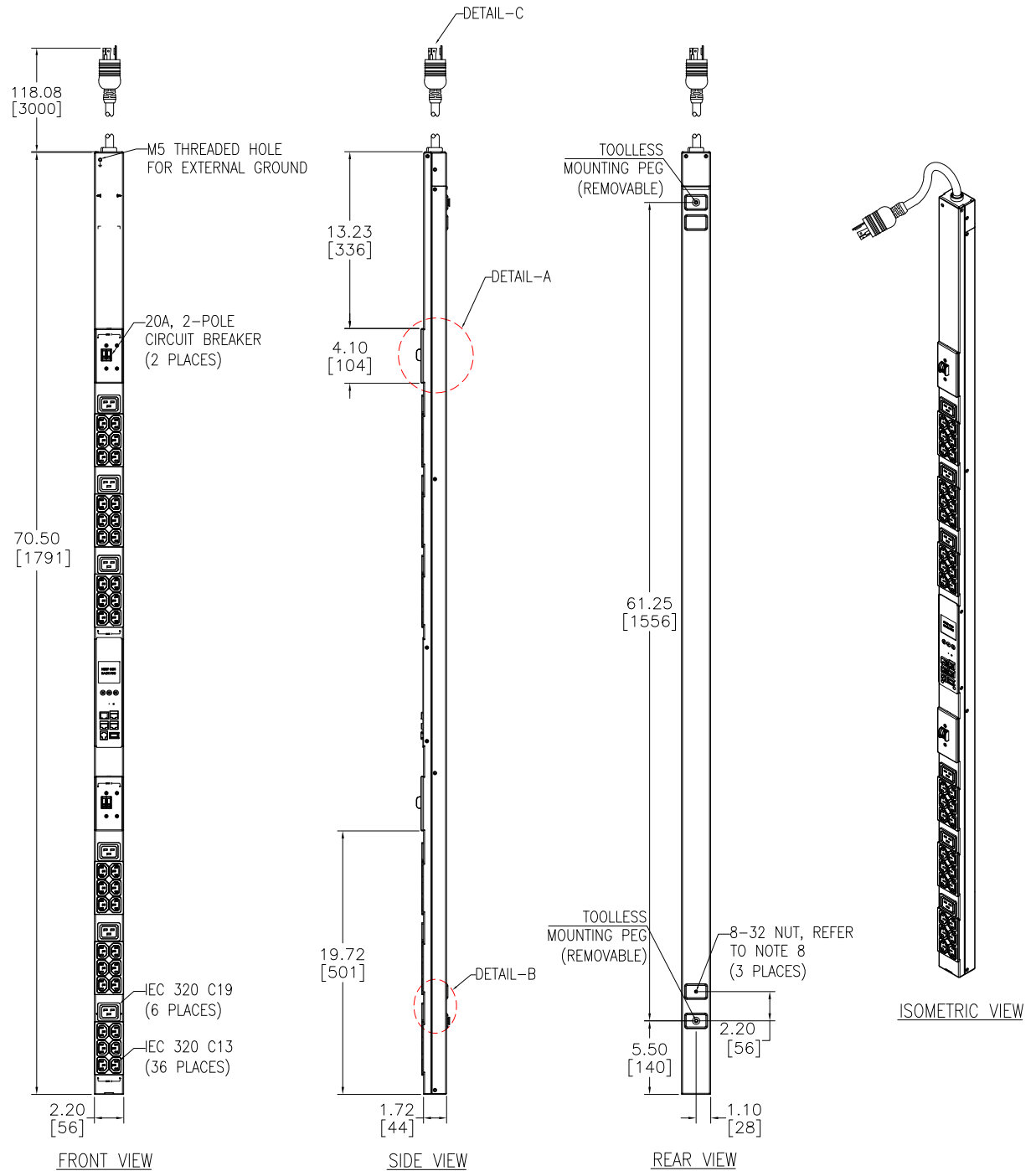


DETAIL B



NOTES:

1. INSTALLATION SHALL COMPLY WITH ALL APPLICABLE NATIONAL, STATE AND LOCAL CODES.
2. REFER TO PRODUCT DOCUMENTATION FOR ADDITIONAL DETAILS PRIOR TO INSTALLATION AND SITE PREPARATION WORK.
3. UNLESS OTHERWISE SPECIFIED, ALL DIMENSIONS ARE IN INCHES[MILLIMETERS].
4. NET WEIGHT OF UNIT IS 15.04 lb [6.84 kg].
5. LENGTH OF THE CORD IS 120.00 In [3050 mm].
6. UNIVERSAL MOUNTING BRACKET IS AN ALTERNATIVE MOUNTING METHOD TO THE TOOLLESS MOUNT FOR 3RD PARTY ENCLOSURES. BRACKET IS PROVIDED WITH THE UNIT. DETAILED INSTALLATION INSTRUCTIONS CAN BE FOUND IN THE PROVIDED MANUAL.
7. BRACKET KITS TO MOUNT TO SPECIFIC 3RD PARTY ENCLOSURES ARE AVAILABLE AS OPTIONS.
8. REFER TO WARNING LABEL ON REAR OF UNIT FOR SCREW MOUNTING.



FRONT VIEW

SIDE VIEW

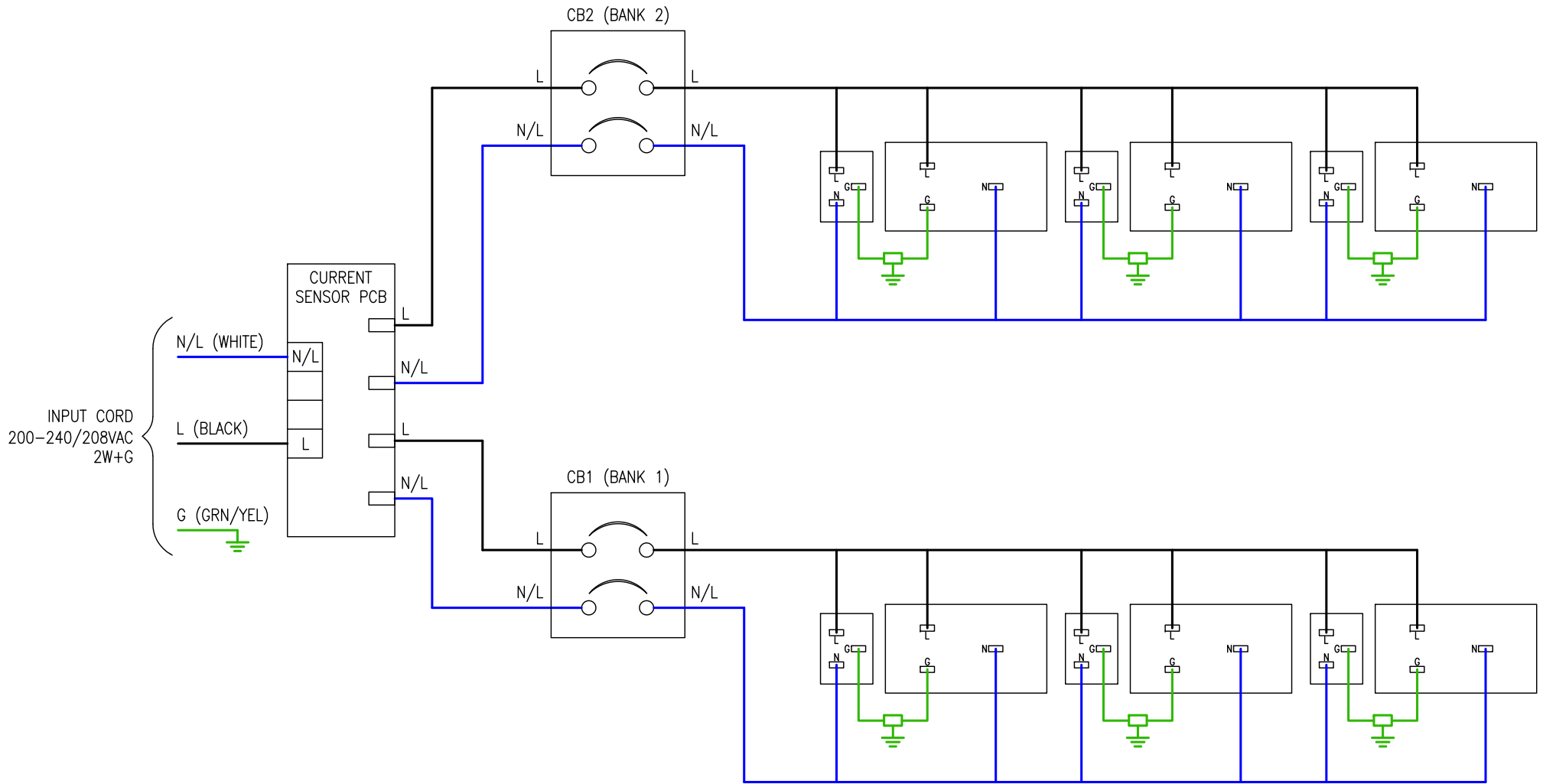
REAR VIEW

ISOMETRIC VIEW

THIS DRAWING AND SPECIFICATIONS HEREIN ARE THE PROPERTY OF SCHNEIDER ELECTRIC AND SHALL NOT BE COPIED, REPRODUCED OR USED IN WHOLE OR IN PART, AS THE BASIS FOR THE MANUFACTURE OR SALE OF ITEMS WITHOUT WRITTEN PERMISSION FROM SCHNEIDER ELECTRIC. THIS DRAWING IS BASED UPON LATEST AVAILABLE INFORMATION AND IS SUBJECT TO CHANGE WITHOUT NOTICE.



TITLE: RACK PDU 2C, METERED ZERO U, 30A, 200-240/208VAC INPUT: NEMA L6-30P OUTPUT: (36)IEC 320 C13, (6)IEC 320 C19 GENERAL ARRANGEMENT	DWG NO: AP8841	REV. 2
PROJECT: SUBMITTAL DRAWINGS	DRAWN BY: BUSH/JAYAPRAKASH	05-MAY-21
SHEET 1 OF 2	ENGINEER: KATIE BURKE	06-MAY-21
	APPROVED BY: KATIE BURKE	06-MAY-21
		THIRD ANGLE PROJ



NOTES:

1. INSTALLATION SHALL COMPLY WITH ALL APPLICABLE NATIONAL, STATE AND LOCAL CODES.
2. REFER TO PRODUCT DOCUMENTATION FOR ADDITIONAL DETAILS PRIOR TO INSTALLATION AND SITE PREPARATION WORK.
3. THIS DRAWING DEPICTS THE POWER SYSTEM CONNECTIONS AND IS NOT REPRESENTATIVE OF THE PHYSICAL LAYOUT. PLEASE REFER TO MECHANICAL DRAWINGS FOR PHYSICAL LAYOUT.

THIS DRAWING AND SPECIFICATIONS HEREIN ARE THE PROPERTY OF SCHNEIDER ELECTRIC AND SHALL NOT BE COPIED, REPRODUCED OR USED IN WHOLE OR IN PART, AS THE BASIS FOR THE MANUFACTURE OR SALE OF ITEMS WITHOUT WRITTEN PERMISSION FROM SCHNEIDER ELECTRIC. THIS DRAWING IS BASED UPON LATEST AVAILABLE INFORMATION AND IS SUBJECT TO CHANGE WITHOUT NOTICE.



TITLE: RACK PDU 2G, METERED
 ZERO U, 30A, 200-240/208VAC
 INPUT: NEMA L6-30P
 OUTPUT: (36)IEC 320 C13, (6)IEC 320 C19
 ELECTRICAL SCHEMATIC

PROJECT: SUBMITTAL DRAWINGS | SHEET 2 OF 2

DWG NO:	AP8841	REV:	1
DRAWN BY:	JAYAPRAKASH	05-MAY-21	PROJ
ENGINEER:	KATIE BURKE	06-MAY-21	ANGLE
APPROVED BY:	KATIE BURKE	06-MAY-21	N.A.