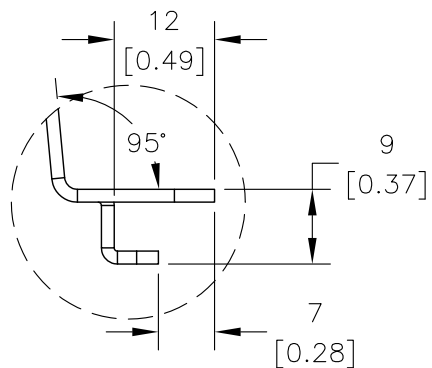
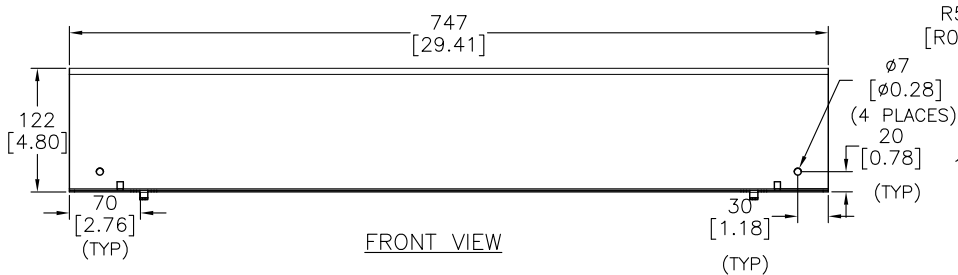


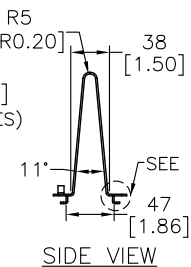
SIDE-B



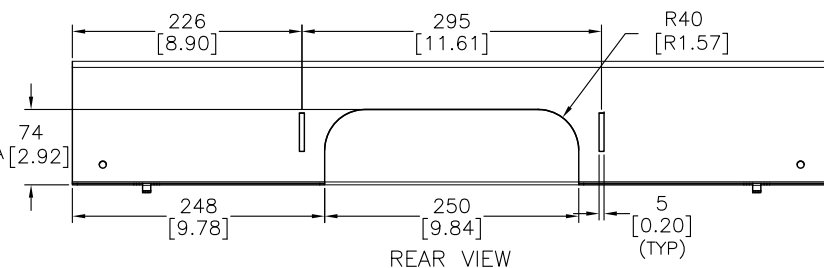
SIDE-A



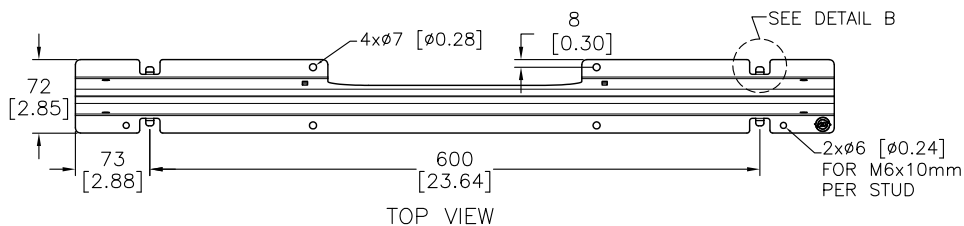
FRONT VIEW



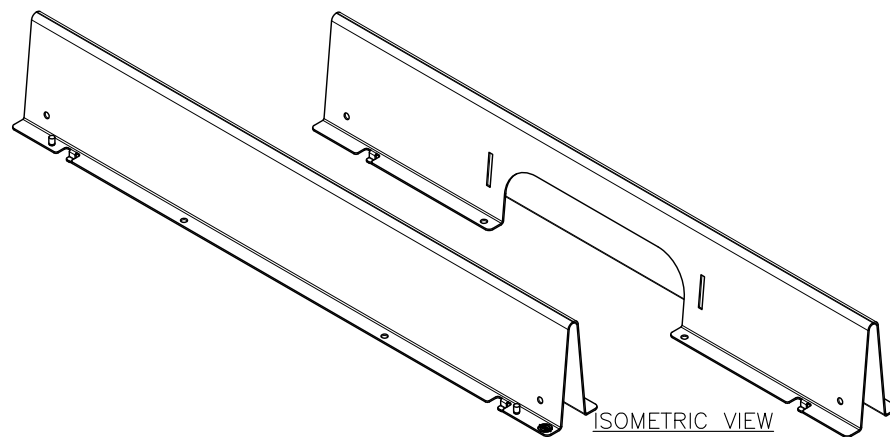
SIDE VIEW



REAR VIEW



TOP VIEW



ISOMETRIC VIEW

NOTES:

1. INSTALLATION SHALL COMPLY WITH ALL APPLICABLE NATIONAL, STATE AND LOCAL CODES.
2. SEE PRODUCT DOCUMENTATION FOR FURTHER INFORMATION
3. UNLESS OTHERWISE SPECIFIED, ALL DIMENSIONS ARE IN MILLIMETERS [INCHES].
4. NET WEIGHT OF UNIT IS 2.28kg [5.00LBS]

THIS DRAWING AND SPECIFICATIONS HEREIN ARE THE PROPERTY OF SCHNEIDER ELECTRIC AND SHALL NOT BE COPIED, REPRODUCED OR USED IN WHOLE OR IN PART, AS THE BASIS FOR THE MANUFACTURE OR SALE OF ITEMS WITHOUT WRITTEN PERMISSION FROM SCHNEIDER ELECTRIC. THIS DRAWING IS BASED UPON LATEST AVAILABLE INFORMATION AND IS SUBJECT TO CHANGE WITHOUT NOTICE.



TITLE: DATA CABLE PARTITION FOR InfraStruxure PDU, 750mm	
PROJECT: SUBMITTAL DRAWINGS	SHEET 1 OF 1

DWG NO: AR8182BLK	REV. 0
DRAWN BY: V BUSH	01-JUN-10
ENGINEER: Q MIAO/B OLIVER	01-JUN-10
APPROVED BY: B SHEWOME/SILVIA CARRASCO	01-JUN-10
FIRST ANGLE PROJ	