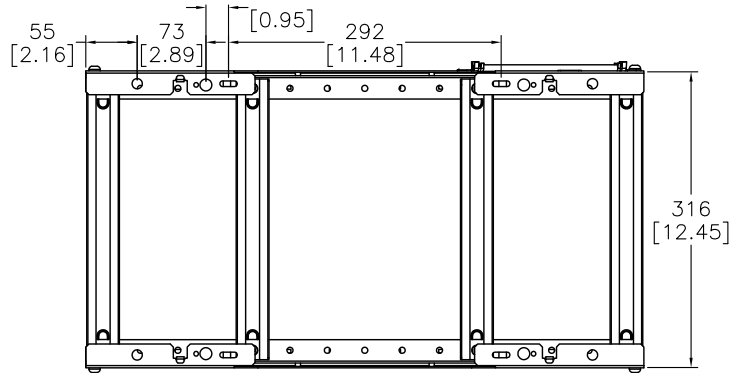
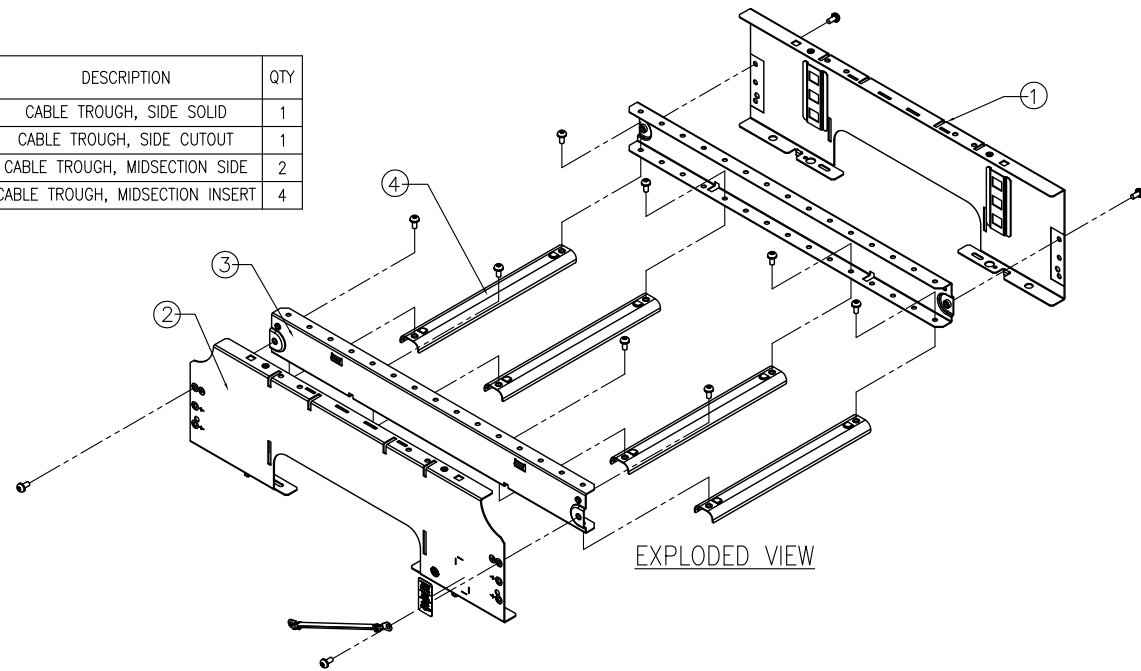


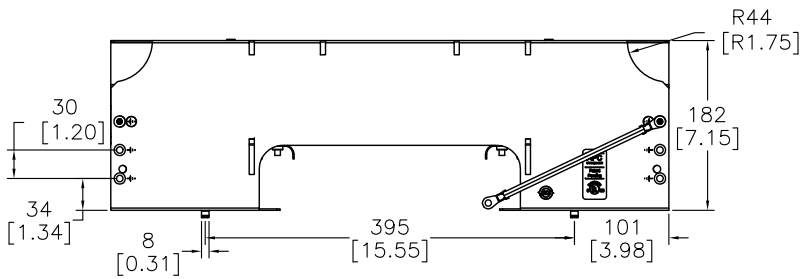
SL NO	DESCRIPTION	QTY
1	CABLE TROUGH, SIDE SOLID	1
2	CABLE TROUGH, SIDE CUTOUT	1
3	CABLE TROUGH, MIDSECTION SIDE	2
4	CABLE TROUGH, MIDSECTION INSERT	4



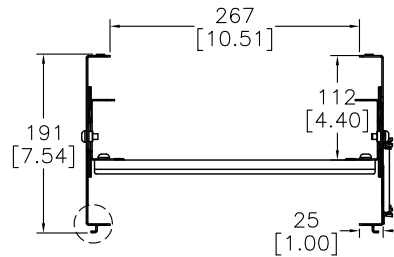
BOTTOM VIEW



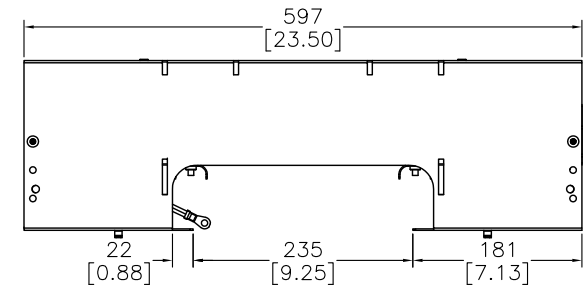
EXPLODED VIEW



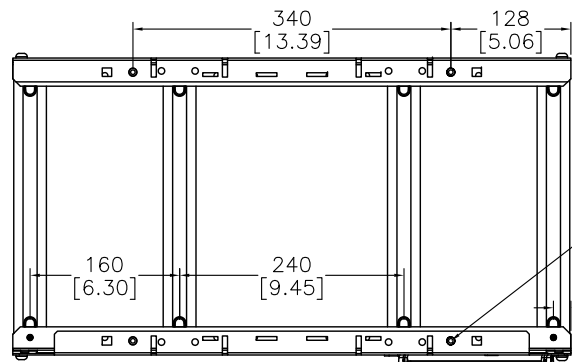
FRONT VIEW



SIDE VIEW



REAR VIEW

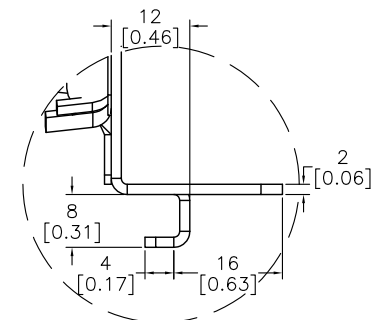


TOP VIEW

PEM M5 NUT
(4 PLACES)
19 [0.73]

NOTES:

1. INSTALLATION SHALL COMPLY WITH ALL APPLICABLE NATIONAL, STATE AND LOCAL CODES.
2. SEE PRODUCT DOCUMENTATION FOR FURTHER INFORMATION
3. UNLESS OTHERWISE SPECIFIED, ALL DIMENSIONS ARE IN MILLIMETERS [INCHES].
4. NET WEIGHT OF UNIT IS 4.56kg [5.46LBS]



VIEW-A
(ENLARGED)

THIS DRAWING AND SPECIFICATIONS HEREIN ARE THE PROPERTY OF SCHNEIDER ELECTRIC AND SHALL NOT BE COPIED, REPRODUCED OR USED IN WHOLE OR IN PART, AS THE BASIS FOR THE MANUFACTURE OR SALE OF ITEMS WITHOUT WRITTEN PERMISSION FROM SCHNEIDER ELECTRIC. THIS DRAWING IS BASED UPON LATEST AVAILABLE INFORMATION AND IS SUBJECT TO CHANGE WITHOUT NOTICE.

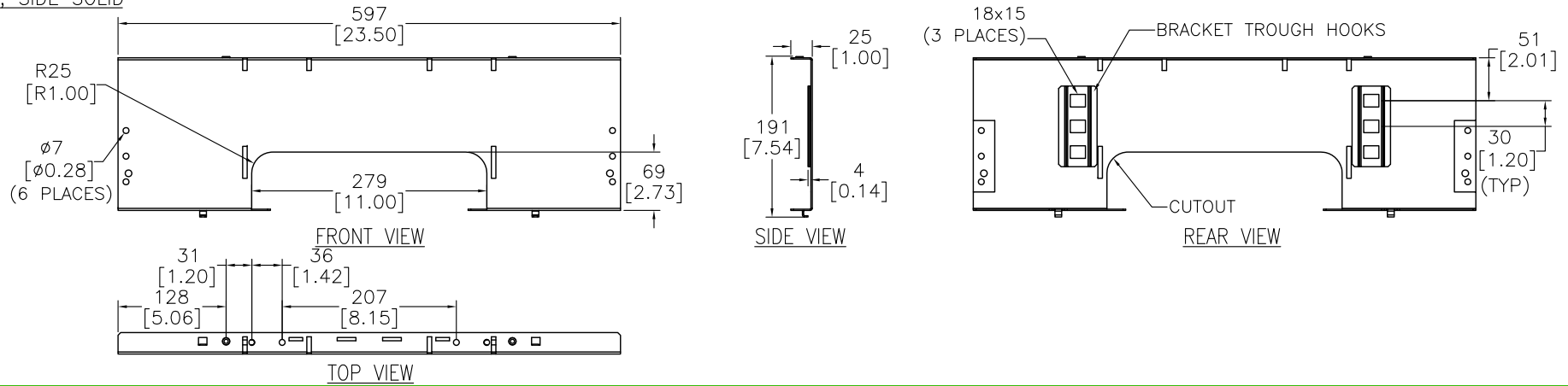


TITLE:
POWER & DATA CABLE TROUGH
FOR 600mm UNITS
MAIN MECHANICAL-1

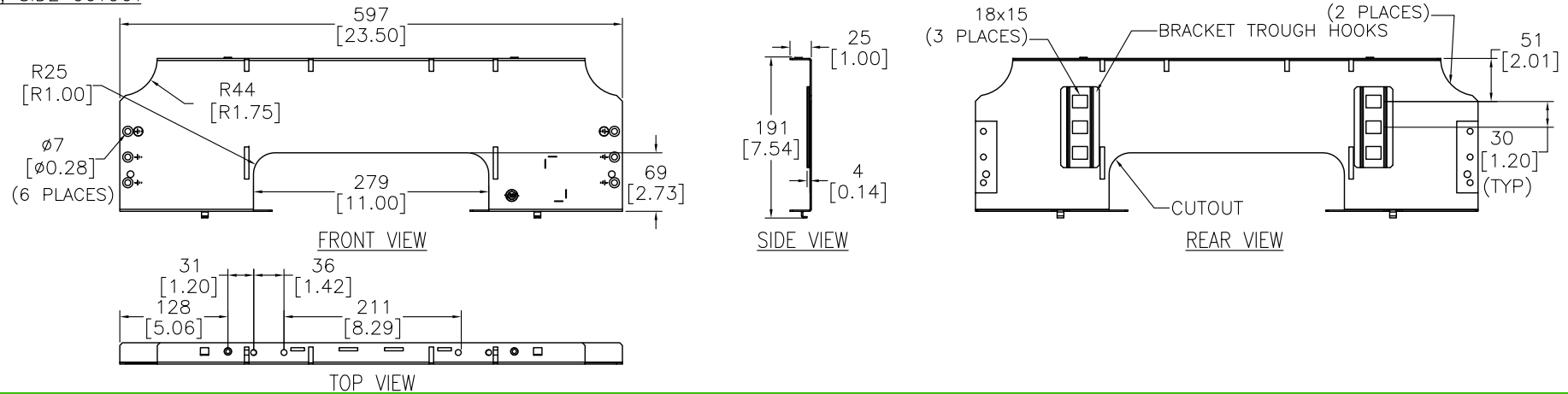
PROJECT: SUBMITTAL DRAWINGS SHEET 1 OF 3

DWG NO:	REV:
AR8560	0
DRAWN BY: V BUSH	05-MAY-10
ENGINEER: Q MIAO/B OLIVER	05-MAY-10
APPROVED BY: B SHERMAN/SUN/C LARSEN/WBH	26-APR-10
	ANGLE PROJ

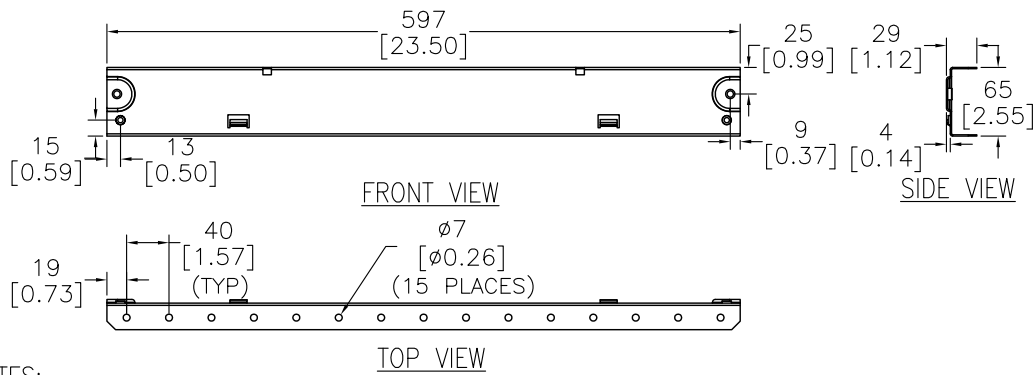
1. CABLE TROUGH, SIDE SOLID



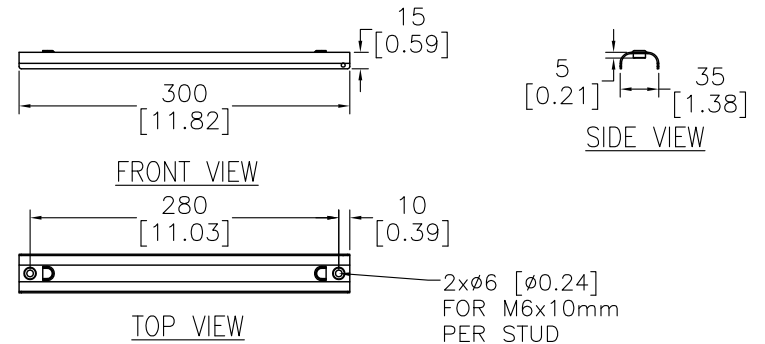
2. CABLE TROUGH, SIDE CUTOUT



3. CABLE TROUGH, MIDSECTION SIDE



4. CABLE TROUGH, MIDSECTION INSERT



NOTES:

1. INSTALLATION SHALL COMPLY WITH ALL APPLICABLE NATIONAL, STATE AND LOCAL CODES.
2. SEE PRODUCT DOCUMENTATION FOR FURTHER INFORMATION
3. UNLESS OTHERWISE SPECIFIED, ALL DIMENSIONS ARE IN MILLIMETERS [INCHES].

THIS DRAWING AND SPECIFICATIONS HEREIN ARE THE PROPERTY OF SCHNEIDER ELECTRIC AND SHALL NOT BE COPIED, REPRODUCED OR USED IN WHOLE OR IN PART, AS THE BASIS FOR THE MANUFACTURE OR SALE OF ITEMS WITHOUT WRITTEN PERMISSION FROM SCHNEIDER ELECTRIC. THIS DRAWING IS BASED UPON LATEST AVAILABLE INFORMATION AND IS SUBJECT TO CHANGE WITHOUT NOTICE.

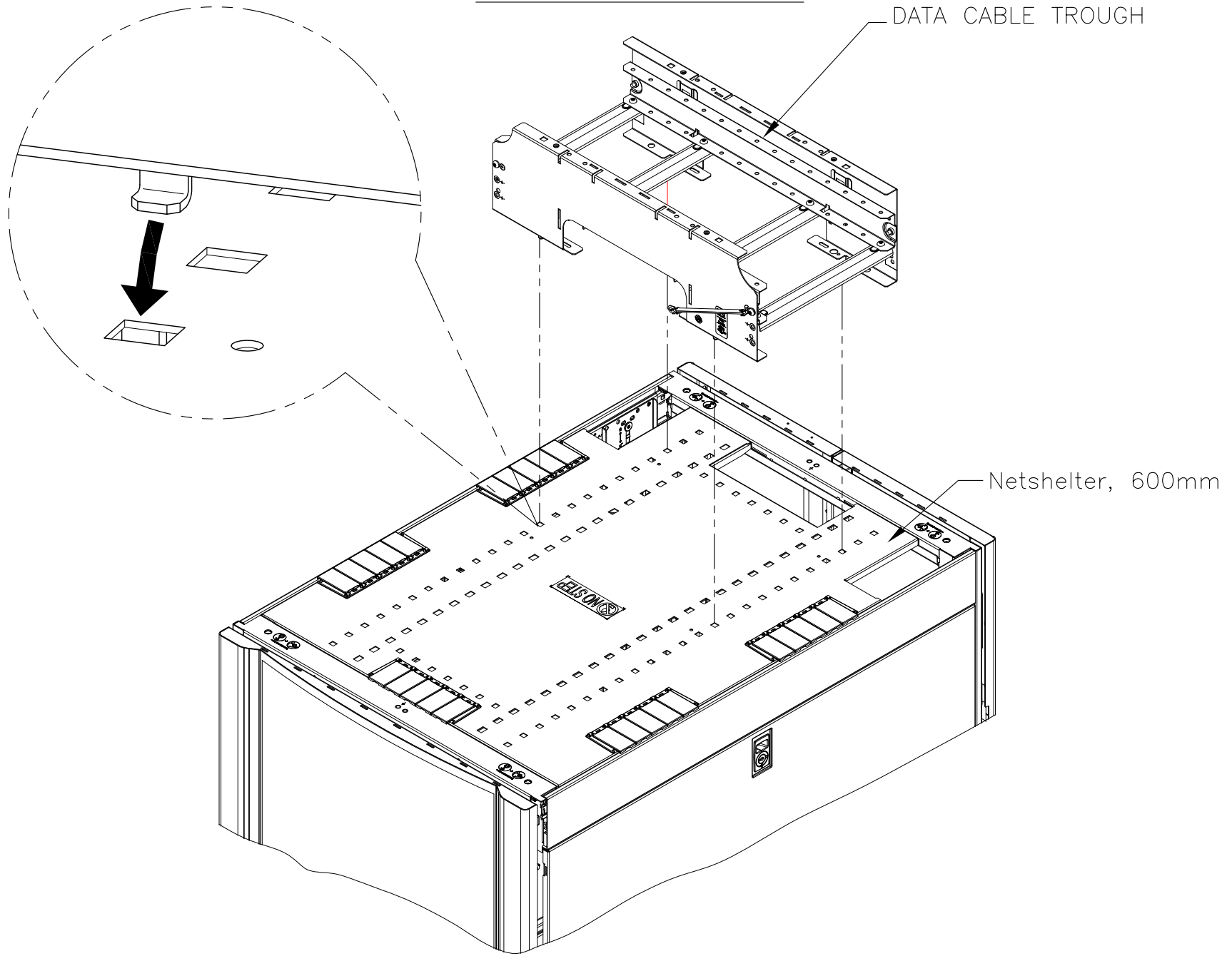


TITLE:
POWER & DATA CABLE TROUGH
FOR 600mm UNITS
MAIN MECHANICAL-2

PROJECT: SUBMITTAL DRAWINGS SHEET 2 OF 3

DWG NO:	AR8560	REV:	0
DRAWN BY:	V BUSH	05-MAY-10	FIRST
ENGINEER:	Q MIAO/B OLIVER	05-MAY-10	ANGLE
APPROVED BY:	B SHEDDEN/SUN/C LARSEN/WCH	05-MAY-10	PROJ

TYPICAL INSTALLATION



NOTES:

1. INSTALLATION SHALL COMPLY WITH ALL APPLICABLE NATIONAL, STATE AND LOCAL CODES.
2. SEE PRODUCT DOCUMENTATION FOR FURTHER INFORMATION

THIS DRAWING AND SPECIFICATIONS HEREIN ARE THE PROPERTY OF SCHNEIDER ELECTRIC AND SHALL NOT BE COPIED, REPRODUCED OR USED IN WHOLE OR IN PART, AS THE BASIS FOR THE MANUFACTURE OR SALE OF ITEMS WITHOUT WRITTEN PERMISSION FROM SCHNEIDER ELECTRIC. THIS DRAWING IS BASED UPON LATEST AVAILABLE INFORMATION AND IS SUBJECT TO CHANGE WITHOUT NOTICE.



TITLE:
POWER & DATA CABLE TROUGH
FOR 600mm UNITS
TYPICAL INSTALLATION

PROJECT: SUBMITTAL DRAWINGS SHEET 3 OF 3

DWG NO:	AR8560	REV.	0
DRAWN BY:	V BUSH	05-MAY-10	FIRST
ENGINEER:	Q MIAO/B OLIVER	05-MAY-10	ANGLE
APPROVED BY:	B SHROOME/SUN/C LARSEN/S WEG	05-MAY-10	PROJ