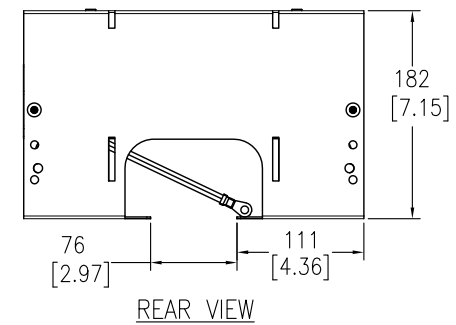
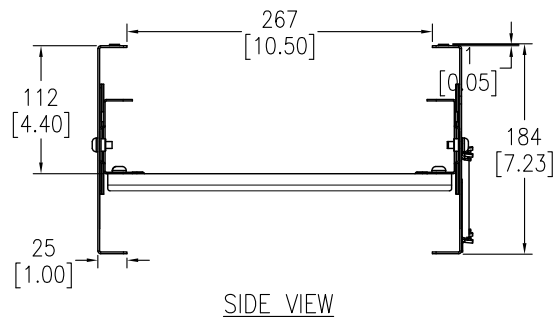
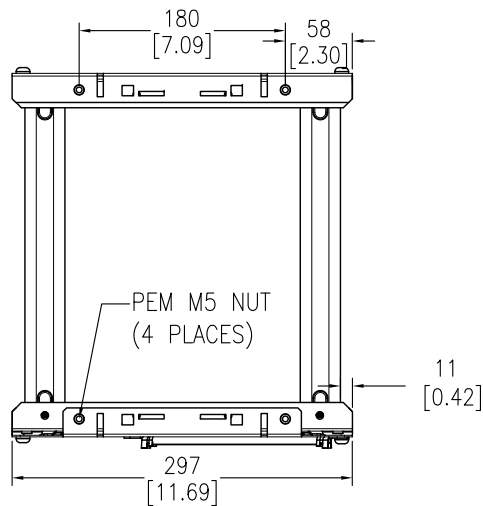
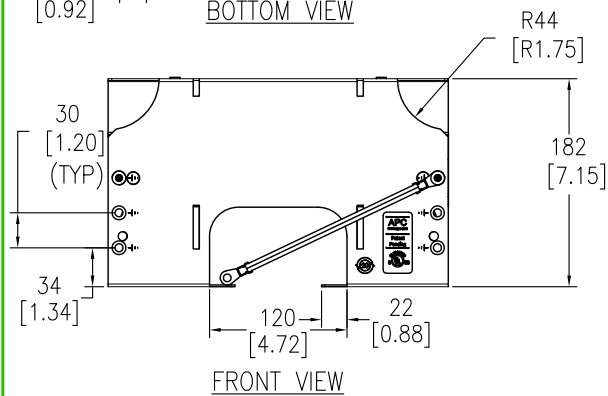
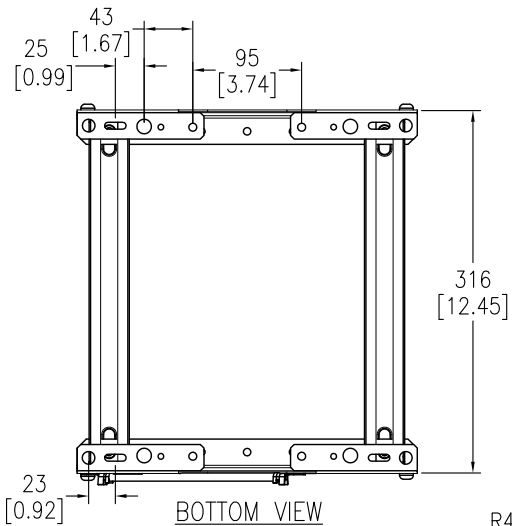


SL NO	DESCRIPTION	QTY
1	CABLE TROUGH, SIDE SOLID	1
2	CABLE TROUGH, SIDE CUTOUT	1
3	CABLE TROUGH, MIDSECTION SIDE	2
4	CABLE TROUGH, MIDSECTION INSERT	2



NOTES:

1. INSTALLATION SHALL COMPLY WITH ALL APPLICABLE NATIONAL, STATE AND LOCAL CODES.
2. SEE PRODUCT DOCUMENTATION FOR FURTHER INFORMATION
3. UNLESS OTHERWISE SPECIFIED, ALL DIMENSIONS ARE IN MILLIMETERS [INCHES].
4. NET WEIGHT OF UNIT IS 2.48kg [5.46LBS]

THIS DRAWING AND SPECIFICATIONS HEREIN ARE THE PROPERTY OF SCHNEIDER ELECTRIC AND SHALL NOT BE COPIED, REPRODUCED OR USED IN WHOLE OR IN PART, AS THE BASIS FOR THE MANUFACTURE OR SALE OF ITEMS WITHOUT WRITTEN PERMISSION FROM SCHNEIDER ELECTRIC. THIS DRAWING IS BASED UPON LATEST AVAILABLE INFORMATION AND IS SUBJECT TO CHANGE WITHOUT NOTICE.

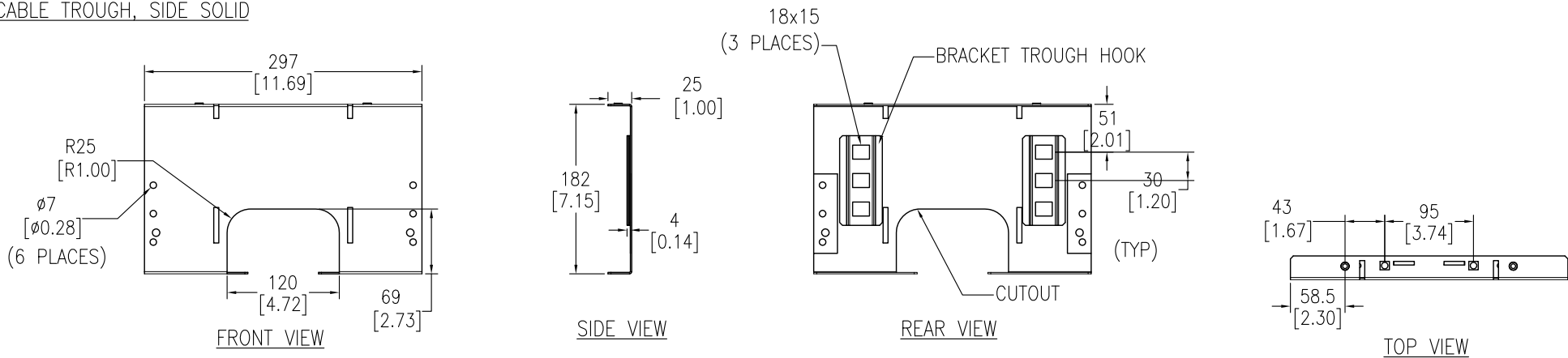


TITLE:
OPEN BOTTOM POWER CABLE TROUGH
FOR 300mm UNITS
MAIN MECHANICAL-1

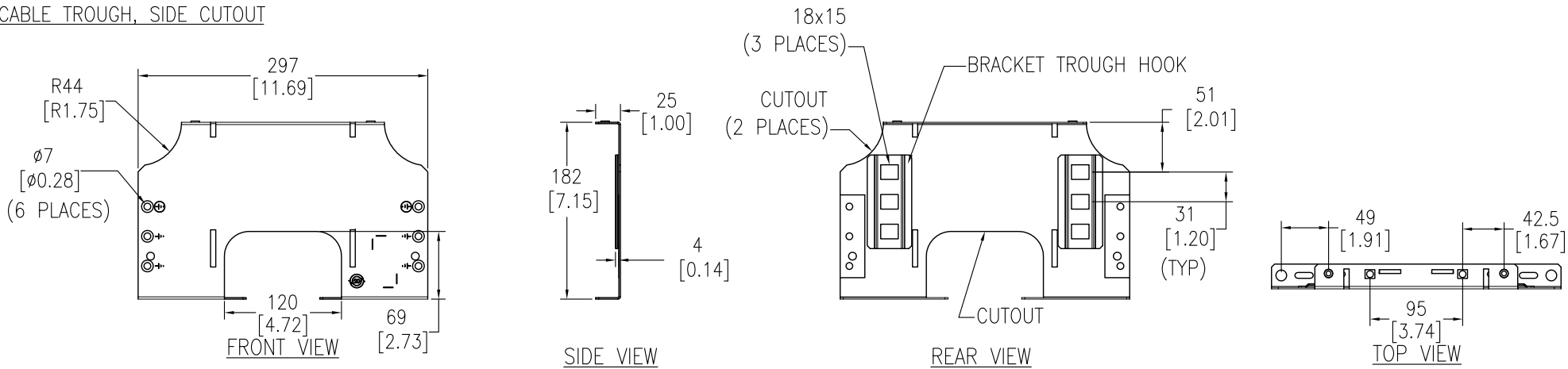
PROJECT: SUBMITTAL DRAWINGS SHEET 1 OF 3

DWG NO:	REV.
AR8580	0
DRAWN BY: V BUSH	05-MAY-10
ENGINEER: Q MIAO/B OLIVER	05-MAY-10
APPROVED BY: B SHERMAN/SUNIL LARSEN/S MISHRA	05-MAY-10
FIRST ANGLE PROJ	

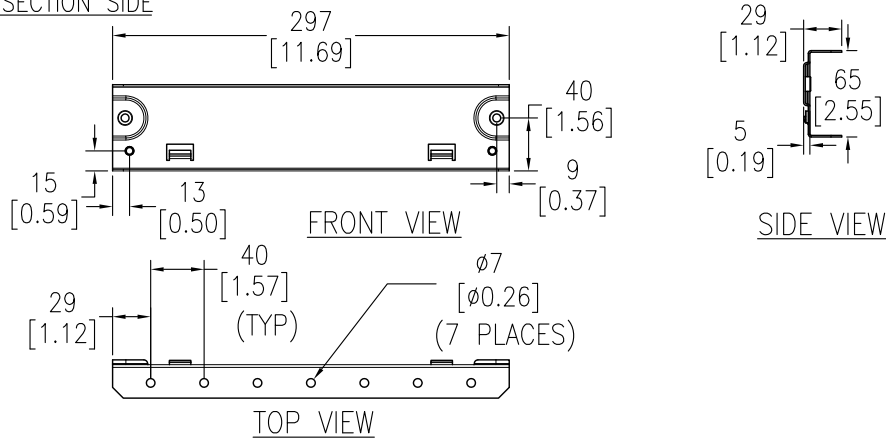
1. CABLE TROUGH, SIDE SOLID



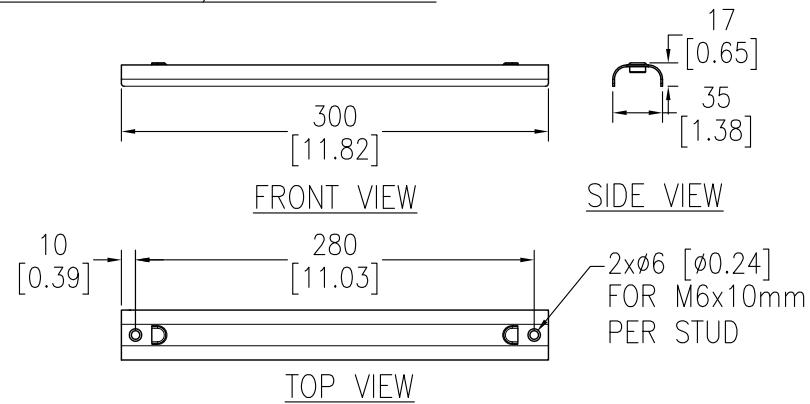
2. CABLE TROUGH, SIDE CUTOUT



3. CABLE TROUGH, MIDSECTION SIDE



4. CABLE TROUGH, MIDSECTION INSERT



NOTES:

1. INSTALLATION SHALL COMPLY WITH ALL APPLICABLE NATIONAL, STATE AND LOCAL CODES.
2. SEE PRODUCT DOCUMENTATION FOR FURTHER INFORMATION
3. UNLESS OTHERWISE SPECIFIED, ALL DIMENSIONS ARE IN MILLIMETERS [INCHES].

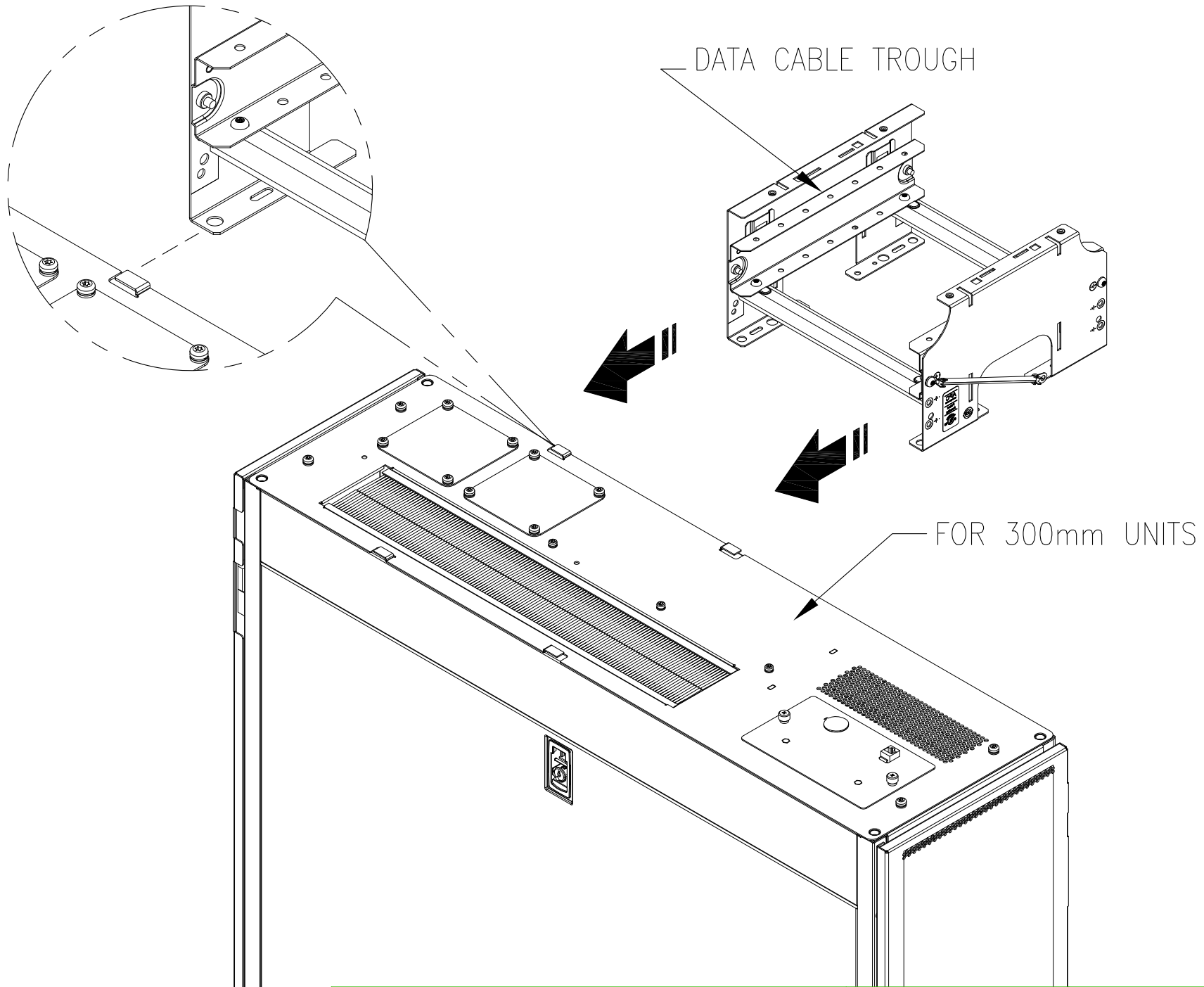
THIS DRAWING AND SPECIFICATIONS HEREIN ARE THE PROPERTY OF SCHNEIDER ELECTRIC AND SHALL NOT BE COPIED, REPRODUCED OR USED IN WHOLE OR IN PART, AS THE BASIS FOR THE MANUFACTURE OR SALE OF ITEMS WITHOUT WRITTEN PERMISSION FROM SCHNEIDER ELECTRIC. THIS DRAWING IS BASED UPON LATEST AVAILABLE INFORMATION AND IS SUBJECT TO CHANGE WITHOUT NOTICE.

Schneider Electric

TITLE:
OPEN BOTTOM POWER CABLE TROUGH
FOR 300mm UNITS
MAIN MECHANICAL-2

PROJECT: SUBMITTAL DRAWINGS SHEET 2 OF 3

DWG NO:	AR8580	REV.	0
DRAWN BY:	V BUSH	05-MAY-10	FIRST
ENGINEER:	Q MIAO/B OLIVER	05-MAY-10	ANGLE
APPROVED BY:	B SHERMAN/C OLIVER/S MIAO	05-MAY-10	PROJ



NOTES:

1. INSTALLATION SHALL COMPLY WITH ALL APPLICABLE NATIONAL, STATE AND LOCAL CODES.
2. SEE PRODUCT DOCUMENTATION FOR FURTHER INFORMATION

THIS DRAWING AND SPECIFICATIONS HEREIN ARE THE PROPERTY OF SCHNEIDER ELECTRIC AND SHALL NOT BE COPIED, REPRODUCED OR USED IN WHOLE OR IN PART, AS THE BASIS FOR THE MANUFACTURE OR SALE OF ITEMS WITHOUT WRITTEN PERMISSION FROM SCHNEIDER ELECTRIC. THIS DRAWING IS BASED UPON LATEST AVAILABLE INFORMATION AND IS SUBJECT TO CHANGE WITHOUT NOTICE.



TITLE:
OPEN BOTTOM POWER CABLE TROUGH
FOR 300mm UNITS
TYPICAL INSTALLATION

PROJECT: SUBMITTAL DRAWINGS SHEET 3 OF 3

DWG NO:	AR8580	REV.	0
DRAWN BY:	V BUSH	05-MAY-10	FIRST
ENGINEER:	Q MIAO/B OLIVER	05-MAY-10	ANGLE
APPROVED BY:	B SHEN/WE SUN/C LARSEN/S WONG	05-MAY-10	PROJ