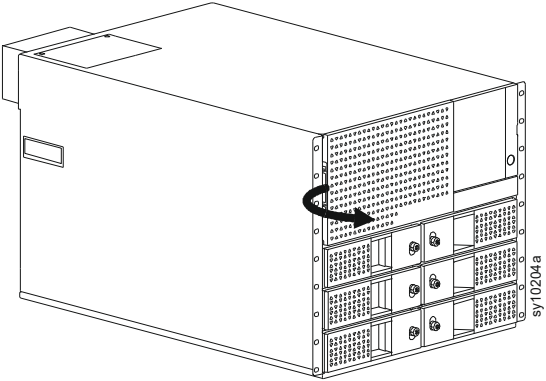
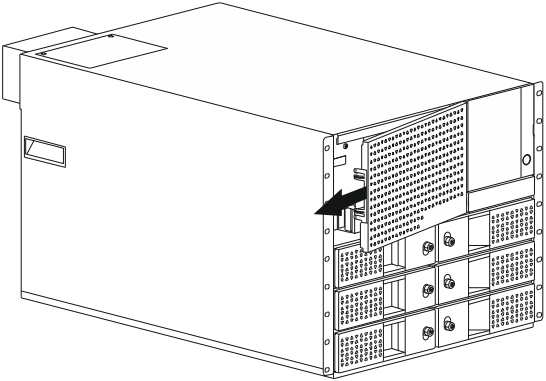
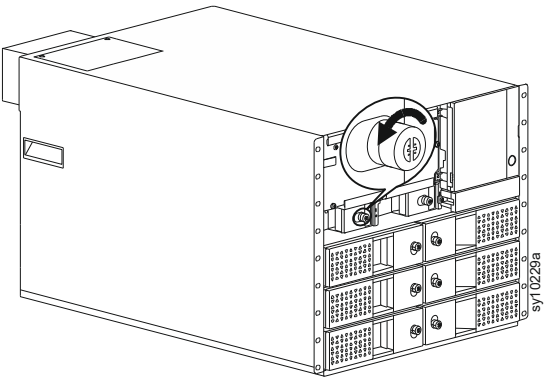
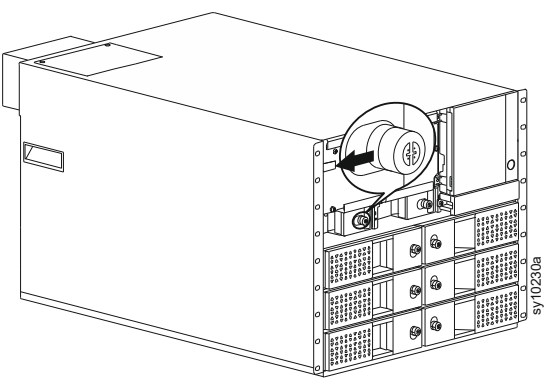
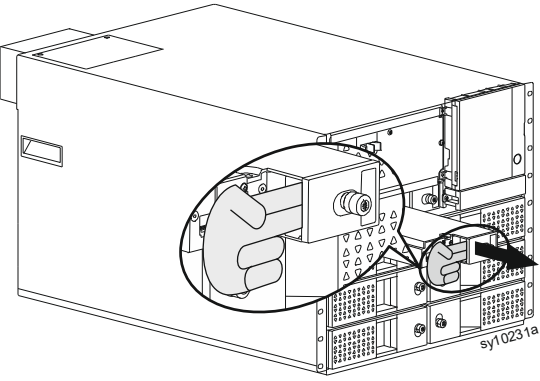
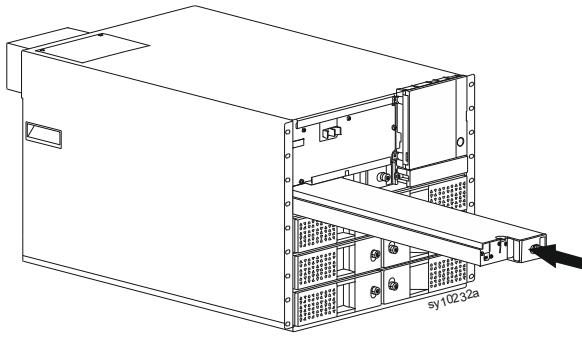


APC™ Smart-UPS™ Modular Ultra Intelligence Module SRYLIM

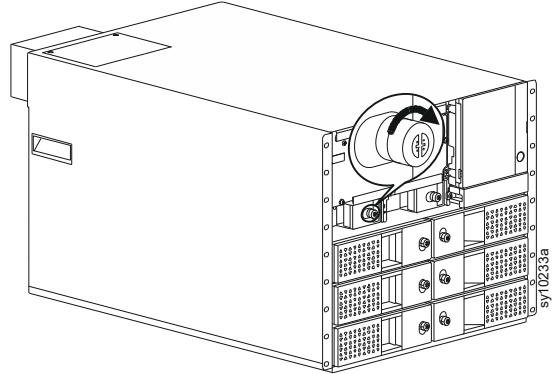
NOTE: Refer to the UPS user manual for information on preparing the system before attempting to replace the Intelligence Module.

<p>1 Open the front bezel.</p>  <p>sy10214a</p>	<p>2 Remove the front bezel.</p>  <p>sy10214a</p>
<p>3 Loosen the thumbscrew to disable the module and unlock the latch.</p>  <p>sy10239a</p>	<p>4 Slide the thumbscrew to the left to release the latch.</p>  <p>sy10230a</p>
<p>5</p> <ol style="list-style-type: none">1. Release the latch and pull the finger hold on the front face of the module until the latch clears the frame. NOTE: Do not use the finger hold to pull the module completely from the frame.2. Support the module with both hands and pull out the module completely from the frame.	 <p>sy10231a</p>

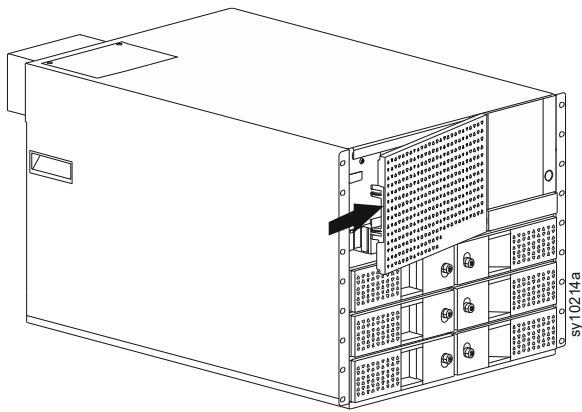
6 Insert the replacement module into the frame and slide it in until the latch engages.



7 Hand tighten the thumbscrew to enable the module and lock the latch.



8 Install the front bezel.



9 Close the front bezel.

