

APC™ Smart-UPS™ Ultra

Power Distribution Unit (PDU) SRTL010, SRTL011, SRTL012, and SRTL015

Important Safety Instructions

SAVE THESE INSTRUCTIONS - This manual contains important instructions that should be followed during installation and maintenance of the Smart-UPS and batteries.



This is the “Read user manual” symbol. Read the user documentation to become familiar with the equipment before trying to install or operate it.

The following special messages may appear throughout this bulletin or on the equipment to warn of potential hazards or to call attention to information that clarifies or simplifies a procedure.



The addition of this symbol either to a “Danger” or “Warning” safety label indicates that an electrical hazard exists which will result in personal injury if the instructions are not followed.



This is the safety alert symbol. It is used to alert you to potential personal injury hazards. Obey all safety messages that follow this symbol to avoid possible injury or death.

DANGER

DANGER indicates a hazardous situation which, if not avoided, **will result in** death or serious injury.

WARNING

WARNING indicates a hazardous situation which, if not avoided, **could result in** death or serious injury.

CAUTION

CAUTION indicates a hazardous situation which, if not avoided, **could result in** minor or moderate injury.

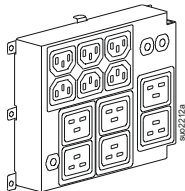
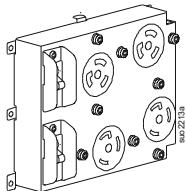
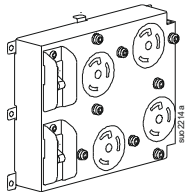
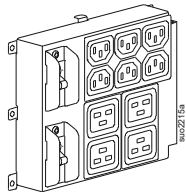
NOTICE

NOTICE is used to address practices not related to physical injury.


Electrical equipment should be installed and operated only by qualified personnel. No responsibility is assumed by Schneider Electric for any consequences arising out of the use of this material.

Package Contents

Inspect the contents upon receipt. Notify the carrier and dealer if there is damage.

<p>PDU with 6x C13, 4x C19, and 2x C19 receptacles (SRTL010)</p> 	<p>PDU with 2x L6-20R and 2x L6-30R receptacles (SRTL011)</p> 
<p>PDU with 2 groups; each group with 2x L6-30R receptacles (SRTL012)</p> 	<p>PDU with 6x C13 and 4x C19 receptacles (SRTL015)</p> 

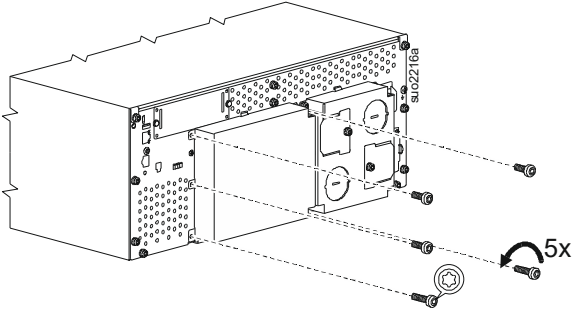
PDU Replacement

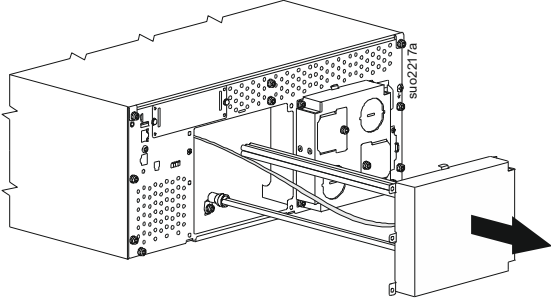
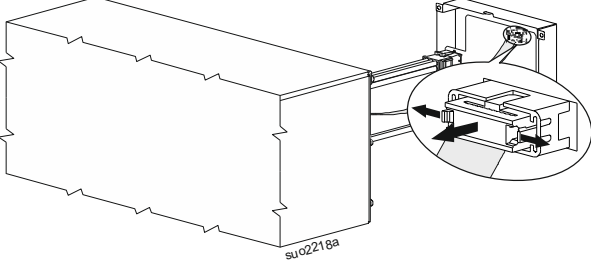
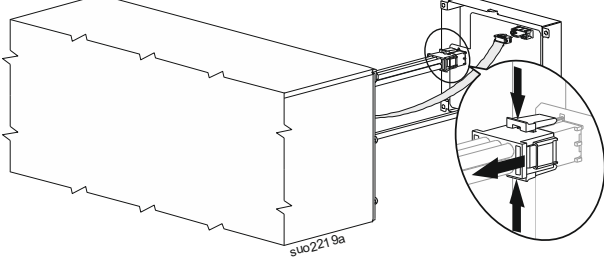
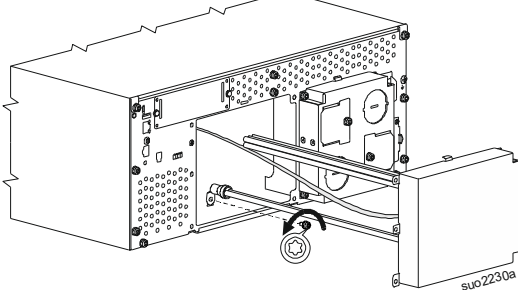
 CAUTION
<p>RISK OF DAMAGE TO EQUIPMENT OR PERSONNEL</p> <ul style="list-style-type: none"> • PDU must be replaced by a qualified electrician or a service personnel. • Adhere to all local and national electrical codes. <p>Failure to follow these instructions could result in equipment damage and minor or moderate injury.</p>

NOTE: The replacement procedure is the same for all the PDUs, SRTL010, SRTL011, SRTL012, and SRTL015.

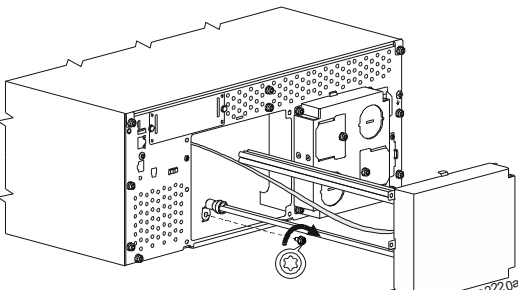
NOTE: The location of the power connector may vary based on the PDU model.

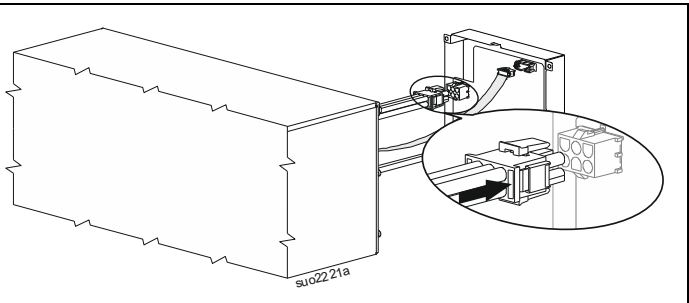
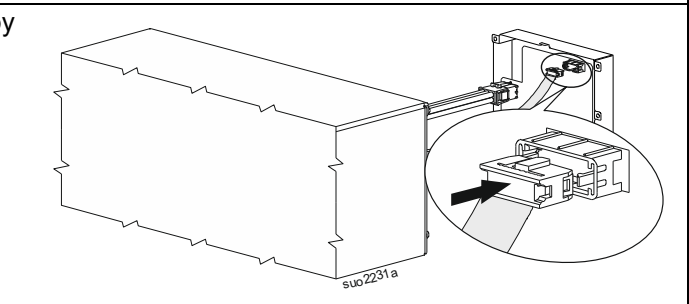
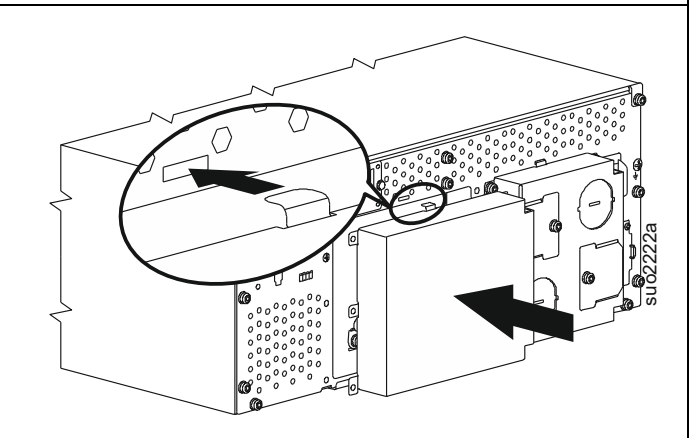
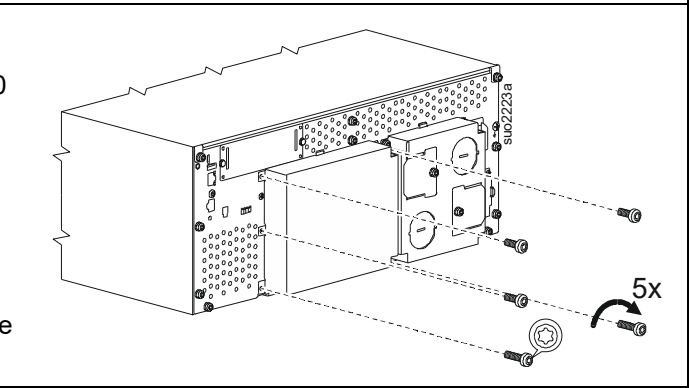
Remove the existing PDU

<ol style="list-style-type: none"> 1 Turn off the UPS Output (refer to the UPS Operation Manual for details) by selecting the <i>Turn Off Immediately</i> option. 2 Turn <i>off</i> the input power to the UPS. 3 Disconnect all equipment connected to the UPS. 4 Disconnect XLBPs connected to the UPS, if any. 5 Loosen the thumbscrew and turn <i>off</i> the BATTERY ON/OFF switch, on the internal battery module in the UPS. 6 Locate the 5 nos. screws securing the existing PDU to the UPS and unfasten them using a Torx® T20 driver bit. 	
-----------------------------------------------------------------------------------------------------------------------------------------------------------------------------------------------------------------------------------------------------------------------------------------------------------------------------------------------------------------------------------------------------------------------------------------------------------------------------------------------------------------------------------------------------------------------------------------------------------------	--------------------------------------------------------------------------------------

- | | | |
|-----------|-----------------------------------------------------------------------------------------------------------------------|--------------------------------------------------------------------------------------|
| <p>7</p> | <p>Pull out the PDU.</p> |  |
| <p>8</p> | <p>Disconnect the signal cable from the PCB on the PDU.</p> |  |
| <p>9</p> | <p>Disconnect the power connector from the PCB on the PDU.</p> |  |
| <p>10</p> | <p>Locate the screw securing the ground wire to the ground terminal and unfasten it using a Torx® T20 driver bit.</p> |  |

Install the replacement PDU

- | | | |
|----------|---------------------------------------------------------------------------------------------------------------------------------------------------------------------------------------------------------------|--------------------------------------------------------------------------------------|
| <p>1</p> | <p>Connect the ground wire of the replacement PDU to the ground terminal and secure it by tightening the screw using a Torx® T20 driver bit.
NOTE: Tightening torque is 2.4 N-m (21-24 lb-in).</p> |  |
|----------|---------------------------------------------------------------------------------------------------------------------------------------------------------------------------------------------------------------|--------------------------------------------------------------------------------------|

<p>2</p>	<p>Install the power connector by pushing it in until the locks snap into position.</p>	
<p>3</p>	<p>Install the signal cable by pushing the connector until it locks.</p>	
<p>4</p>	<p>Install the PDU to the UPS frame. NOTE: Be sure to align the locating tab on the PDU to the slot on the UPS frame.</p>	
<p>5</p>	<p>Secure the PDU to the UPS by fastening the screw using a Torx® T20 driver bit. NOTE: Be sure that the longer screws are used at the bottom holes and the shorter screws are used at the other holes. NOTE: Tightening torque is 2.4 N-m (21-24 lb-in).</p>	
<p>6</p>	<p>Turn <i>on</i> the BATTERY ON/OFF switch in the internal battery module and tighten the thumbscrew on the internal battery module completely.</p>	
<p>7</p>	<p>Re-connect the XLBPs to the UPS, if any.</p>	
<p>8</p>	<p>Re-connect all equipment to the output sockets of the UPS.</p>	
<p>9</p>	<p>Turn <i>on</i> the input power to the UPS.</p>	
<p>10</p>	<p>Turn <i>on</i> the UPS output (refer to the UPS Operation Manual for details).</p>	