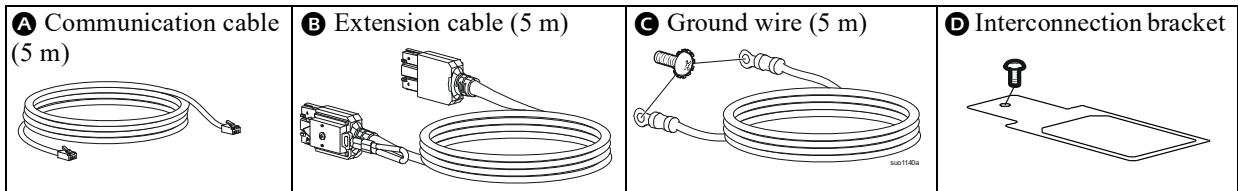


Installation Guide APC™ Smart-UPS™ Ultra Battery Pack Extension Cable SRTL006

Package Contents



Installation

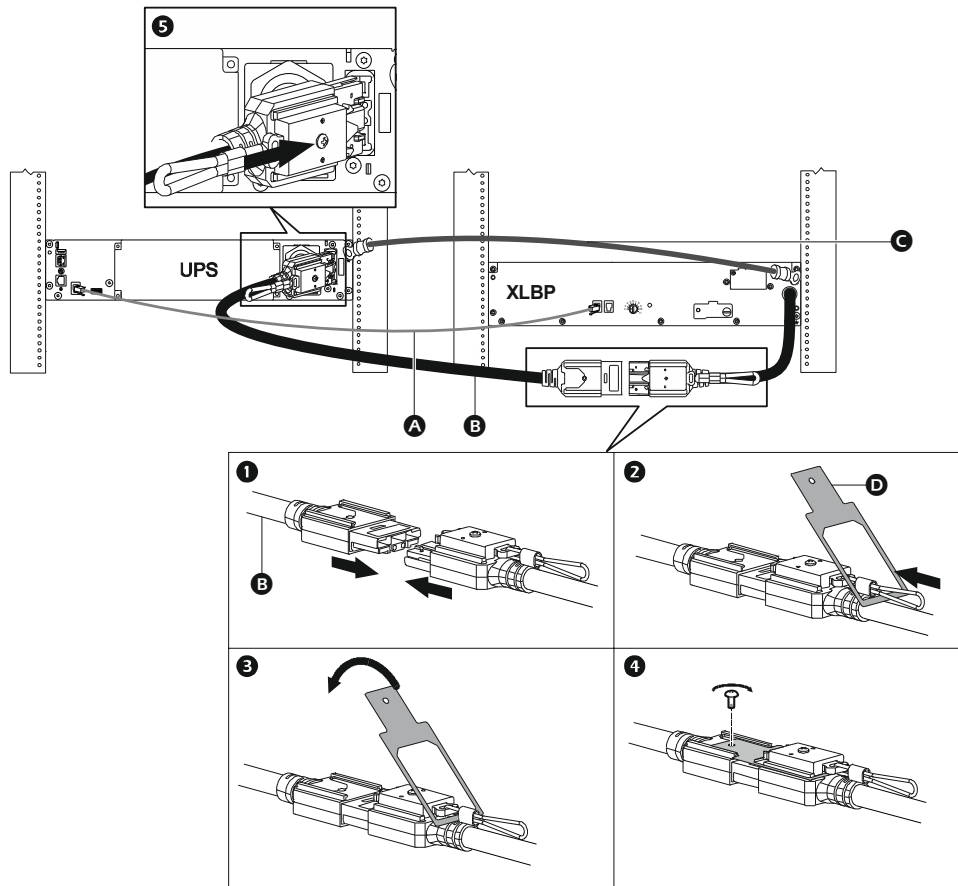
⚠ CAUTION

RISK OF ELECTRIC SHOCK

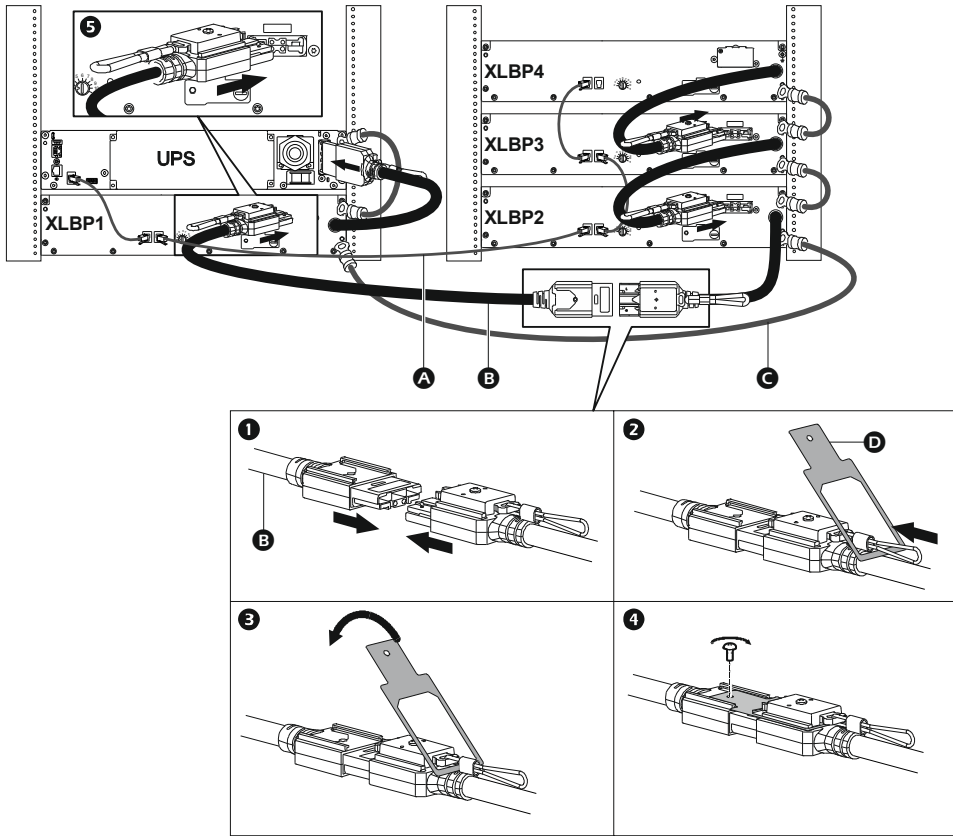
- Do not connect the XLBP extension cable to the UPS/XLBP till the interconnection bracket is installed.
- Remove the interconnection bracket only after disconnecting the connector in the UPS/XLBP.

Failure to follow these instructions can result in minor or moderate injury and equipment damage.

Single XLBP



Multiple XLBPs



Customer support and warranty information are available on our web site, www.apc.com.

© 2022 Schneider Electric. All rights reserved. Schneider Electric, Life is On | Schneider Electric, the Schneider Electric logo, APC, the APC logo and Smart-UPS are trademarks of Schneider Electric SE, its subsidiaries or affiliated companies. All other brands may be trademarks of their respective owners.

EN 990-4232
05/2022