

NOTES:

1. INSTALLATION SHALL COMPLY WITH ALL APPLICABLE NATIONAL AND LOCAL CODES.
2. SEE PRODUCT DOCUMENTATION FOR FURTHER INFORMATION.

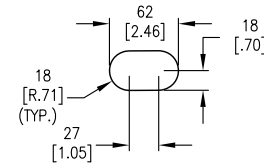
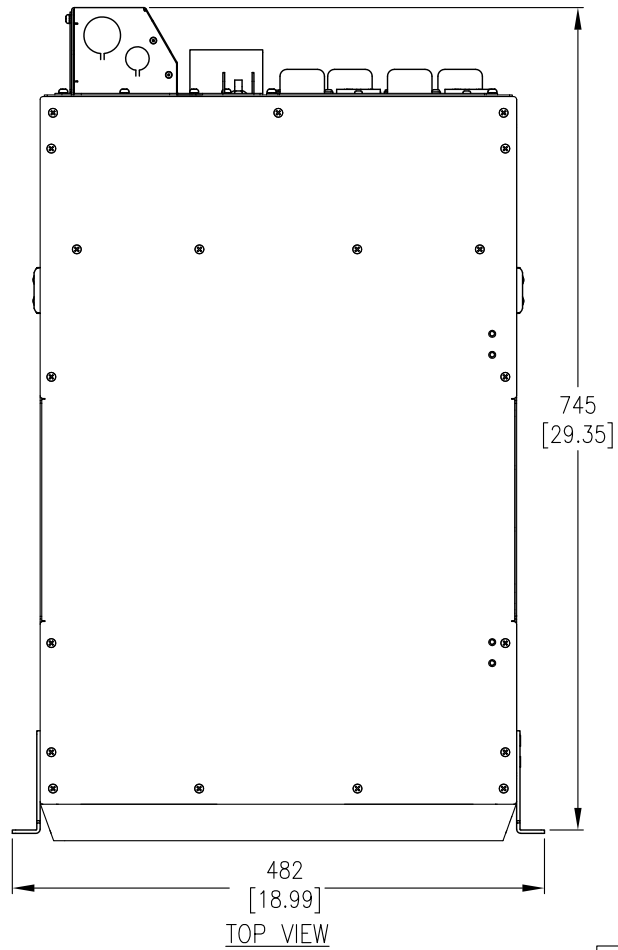
THIS DRAWING AND SPECIFICATIONS HEREIN ARE THE PROPERTY OF SCHNEIDER ELECTRIC AND SHALL NOT BE COPIED, REPRODUCED OR USED IN WHOLE OR IN PART, AS THE BASIS FOR THE MANUFACTURE OR SALE OF ITEMS WITHOUT WRITTEN PERMISSION FROM SCHNEIDER ELECTRIC. THIS DRAWING IS BASED UPON LATEST AVAILABLE INFORMATION AND IS SUBJECT TO CHANGE WITHOUT NOTICE.



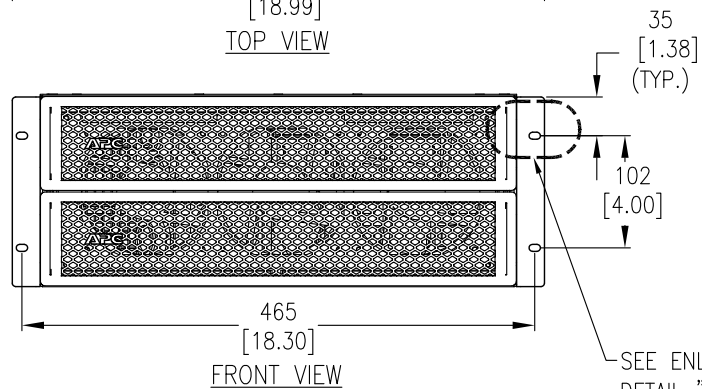
TITLE: SMART-UPS SRT, 10kVA, RACKMOUNT
STEP-DOWN TRANSFORMER
INPUT: 208/240V, 1Ø OR 480VAC, 2Ø
OUTPUT: 10kVA, 120Y-208/240VAC
UPS ISOMETRIC VIEWS

PROJECT: STD SUBMITTAL DRAWING SHEET 1 OF 4

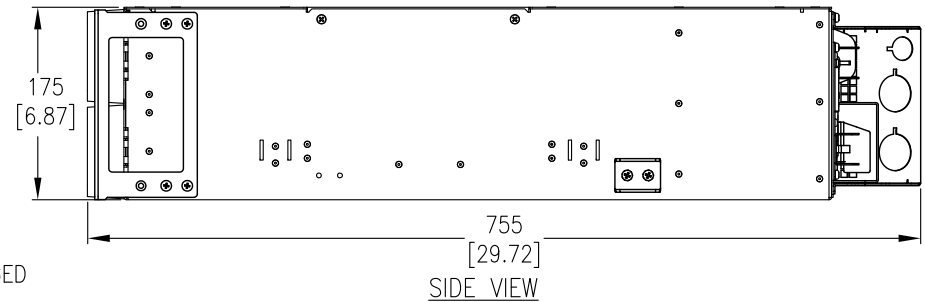
DWG NO:	SRT10KRMTF		REV	0
DRAWN BY:	S CUNHA	16JUN2015	THIRD	ANGLE
ENGINEER:	V CHENNAKESAVAN	16JUN2015	PROJ	
APPROVED BY:	K WHITE	16JUN2015		



ENLARGED DETAIL "A"
TYPICAL MOUNTING HOLE



SEE ENLARGED
DETAIL "A"



NOTES:

1. INSTALLATION SHALL COMPLY WITH ALL APPLICABLE NATIONAL, STATE AND LOCAL CODES.
2. PLEASE REFER TO PRODUCT DOCUMENTATION FOR FURTHER INFORMATION.
3. UNLESS OTHERWISE SPECIFIED, ALL DIMENSIONS ARE IN MILLIMETERS [INCHES].
4. WEIGHT OF UNIT IS 100.00 KG [220.00 LBS].
5. CABLE ENTRY FROM REAR SIDE OF UNIT.

THIS DRAWING AND SPECIFICATIONS HEREIN ARE THE PROPERTY OF SCHNEIDER ELECTRIC AND SHALL NOT BE COPIED, REPRODUCED OR USED IN WHOLE OR IN PART, AS THE BASIS FOR THE MANUFACTURE OR SALE OF ITEMS WITHOUT WRITTEN PERMISSION FROM SCHNEIDER ELECTRIC. THIS DRAWING IS BASED UPON LATEST AVAILABLE INFORMATION AND IS SUBJECT TO CHANGE WITHOUT NOTICE.



TITLE: SMART-UPS SRT, 10kVA, RACKMOUNT
STEP-DOWN TRANSFORMER
INPUT: 208/240V, 1Ø OR 480VAC, 2Ø
OUTPUT: 10kVA, 120Y-208/240VAC
UPS MAIN MECHANICAL

PROJECT: STD SUBMITTAL DRAWING SHEET 2 OF 4

DWG NO: **SRT10KRMTF**

REV **0**

DRAWN BY: S CUNHA 16JUN2015

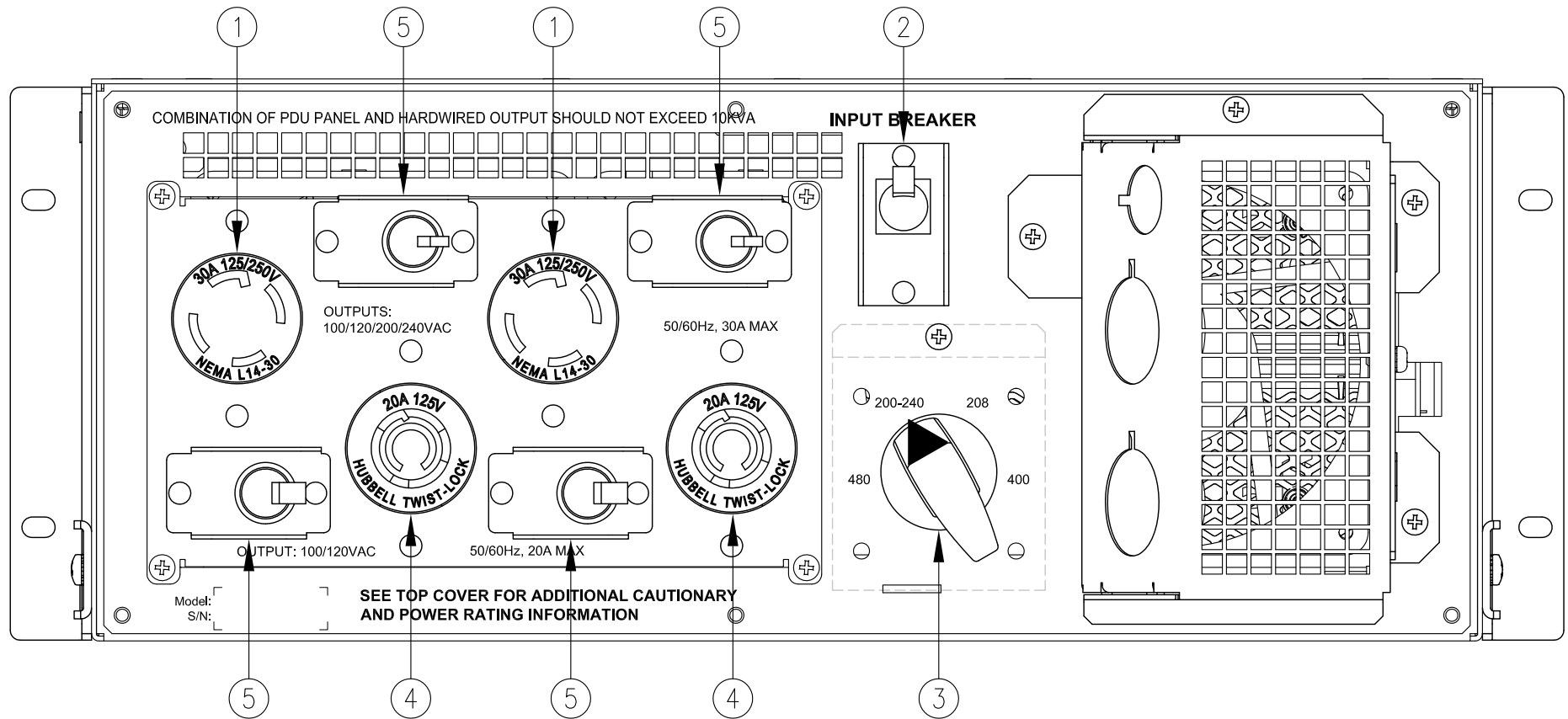
ENGINEER: V CHENNAKESAVAN 16JUN2015

APPROVED BY: K WHITE 16JUN2015

THIRD
ANGLE
PROJ

SRT10KRMTF: (NUMBERING PER USER MANUAL)

1. NEMA L14-30, TWIST-LOCK; 30A, 100/120/200/240VAC
2. INPUT OVERLOAD PROTECTOR
3. OUTPUT VOLTAGE SELECTOR (SWITCH COVER REMOVED)
4. NEMA L5-20, TWIST-LOCK; 20A, 120VAC
5. OUTPUT OVERLOAD PROTECTOR



REAR VIEW

NOTES:

1. INSTALLATION SHALL COMPLY WITH ALL APPLICABLE NATIONAL, STATE AND LOCAL CODES.
2. PLEASE REFER TO PRODUCT DOCUMENTATION FOR FURTHER INFORMATION.

THIS DRAWING AND SPECIFICATIONS HEREIN ARE THE PROPERTY OF SCHNEIDER ELECTRIC AND SHALL NOT BE COPIED, REPRODUCED OR USED IN WHOLE OR IN PART, AS THE BASIS FOR THE MANUFACTURE OR SALE OF ITEMS WITHOUT WRITTEN PERMISSION FROM SCHNEIDER ELECTRIC. THIS DRAWING IS BASED UPON LATEST AVAILABLE INFORMATION AND IS SUBJECT TO CHANGE WITHOUT NOTICE.



TITLE: SMART-UPS SRT, 10kVA, RACKMOUNT STEP-DOWN TRANSFORMER
 INPUT: 208/240V, 1Ø OR 480VAC, 2Ø
 OUTPUT: 10kVA, 120Y-208/240VAC
 UPS REAR VIEW

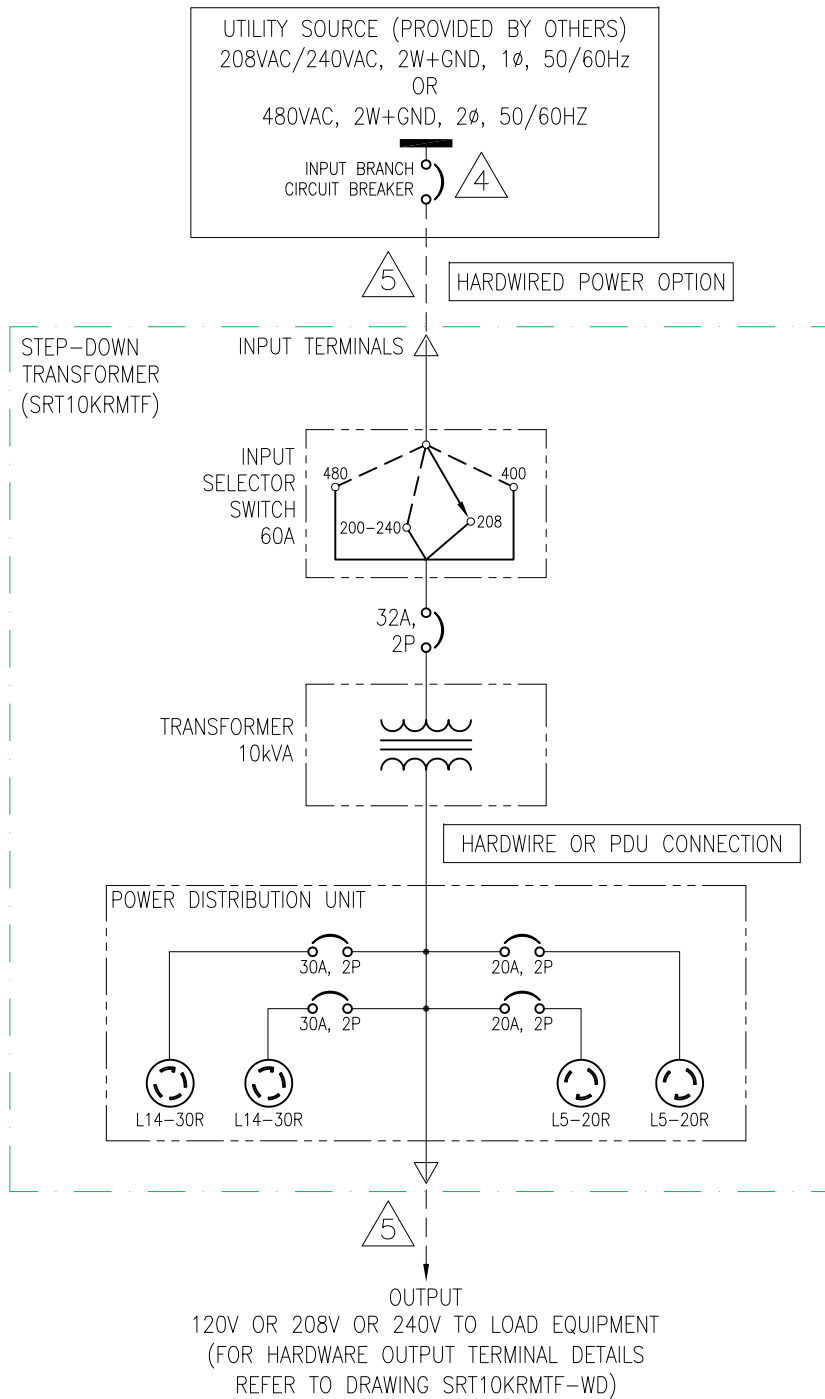
PROJECT: STD SUBMITTAL DRAWING SHEET 3 OF 4

DWG NO: **SRT10KRMTF**

REV 0

DRAWN BY:	S CUNHA	16JUN2015
ENGINEER:	V CHENNAKESAVAN	16JUN2015
APPROVED BY:	K WHITE	16JUN2015

THIRD ANGLE PROJ



NOTES:

1. INSTALLATION SHALL COMPLY WITH ALL APPLICABLE NATIONAL, STATE AND LOCAL CODES.
2. PLEASE REFER TO PRODUCT DOCUMENTATION FOR FURTHER INFORMATION.
3. DRAWING DEPICTS POWER SYSTEM CONNECTIONS AND IS NOT REPRESENTATIVE OF PHYSICAL LAYOUT. PLEASE REFER TO MECHANICAL DRAWINGS FOR MORE SPECIFIC PHYSICAL DATA.
- △4. UTILITY SOURCE MUST BE 2-WIRE+GROUND, PROVIDED BY OTHERS. RECOMMENDED INPUT BRANCH CIRCUIT BREAKER RATINGS: FOR SINGLE-PHASE INPUT = 60A; FOR TWO-PHASE INPUT = 30A.
- △5. DASHED LINE INDICATES CABLING PROVIDED BY OTHERS.

THIS DRAWING AND SPECIFICATIONS HEREIN ARE THE PROPERTY OF SCHNEIDER ELECTRIC AND SHALL NOT BE COPIED, REPRODUCED OR USED IN WHOLE OR IN PART, AS THE BASIS FOR THE MANUFACTURE OR SALE OF ITEMS WITHOUT WRITTEN PERMISSION FROM SCHNEIDER ELECTRIC. THIS DRAWING IS BASED UPON LATEST AVAILABLE INFORMATION AND IS SUBJECT TO CHANGE WITHOUT NOTICE.



TITLE: SMART-UPS SRT, 10kVA, RACKMOUNT STEP-DOWN TRANSFORMER
 INPUT: 208/240V, 1Ø OR 480VAC, 2Ø
 OUTPUT: 10kVA, 120Y-208/240VAC SYSTEM SINGLE-LINE DIAGRAM
 PROJECT: STD SUBMITTAL DRAWING SHEET 4 OF 4

DWG NO:	SRT10KRMTF		REV	0
DRAWN BY:	S CUNHA	16JUN2015	PROJ	ANGLE
ENGINEER:	V CHENNAKESAVAN	16JUN2015		N/A
APPROVED BY:	K WHITE	16JUN2015		