

**NOTES:**

1. INSTALLATION SHALL COMPLY WITH ALL APPLICABLE NATIONAL, STATE AND LOCAL CODES.
2. REFER TO PRODUCT DOCUMENTATION FOR FURTHER INFORMATION.
3. DRAWING DEPICTS POWER SYSTEM CONNECTIONS AND IS NOT REPRESENTATIVE OF PHYSICAL LAYOUT. PLEASE REFER TO MECHANICAL DRAWINGS FOR MORE SPECIFIC PHYSICAL DATA.
- △ 4. UTILITY SOURCE MUST BE 3-WIRE (1 $\phi$ +1 $\phi$ +G), PROVIDED BY OTHERS.
- △ 5. POWER CORD (WITH L6-30P, TWIST-LOCK), PROVIDED BY Schneider Electric.

THIS DRAWING AND SPECIFICATIONS HEREIN ARE THE PROPERTY OF SCHNEIDER ELECTRIC AND SHALL NOT BE COPIED, REPRODUCED OR USED IN WHOLE OR IN PART, AS THE BASIS FOR THE MANUFACTURE OR SALE OF ITEMS WITHOUT WRITTEN PERMISSION FROM SCHNEIDER ELECTRIC. THIS DRAWING IS BASED UPON LATEST AVAILABLE INFORMATION AND IS SUBJECT TO CHANGE WITHOUT NOTICE.



TITLE: SMART-UPS STEP-DOWN TRANSFORMER  
INPUT: 208VAC, 1 $\phi$ , 60Hz w/ L6-30R & POWER CORD  
OUTPUT: 5kVA, 120VAC, 1 $\phi$ , 60Hz  
SYSTEM SINGLE-LINE DIAGRAM

PROJECT: STD SUBMITTAL DRAWING SHEET: 1 OF 2

DWG NO:	SRT5KRMTF-SD		REV.	0
DRAWN:	S CUNHA	16JUN2015	PROJ	ANGLE
ENGINEER:	V CHENNAKESAVAN	16JUN2015		N/A
APPROVED:	K WHITE	16JUN2015		

UTILITY SOURCE (PROVIDED BY OTHERS)  
208VAC, 3-WIRE (1 $\phi$ +1 $\phi$ +G), 60Hz

RECOMMENDED 30A, 2P  
EXTERNAL BREAKER

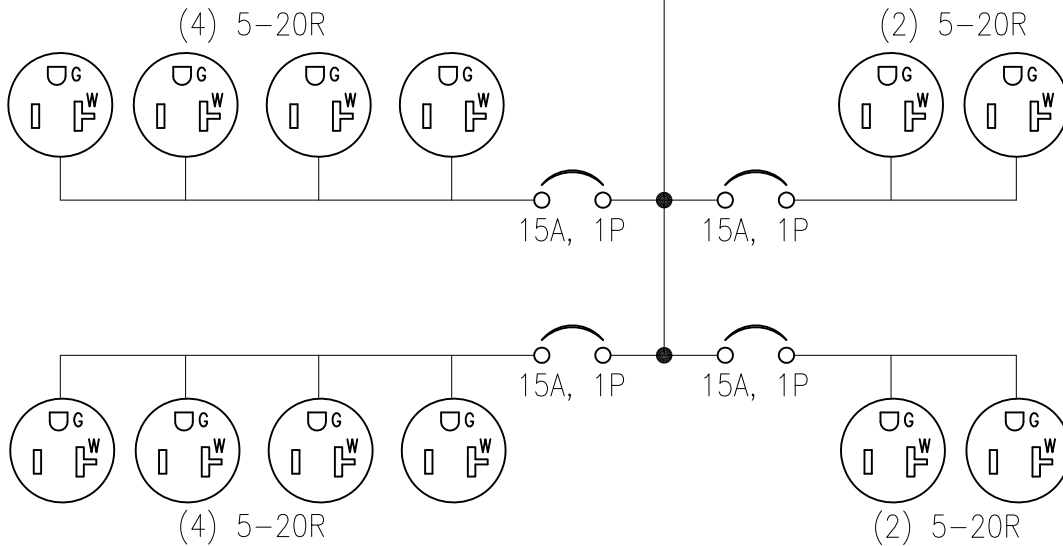


HARDWIRED POWER OPTION

STEPDOWN TRANSFORMER  
(SRT5KRMTF)

30A,  
2P

TRANSFORMER;  
5kVA, 208/120VAC



2-WIRE+GROUND (1 $\phi$ +NEUTRAL+GROUND), 120VAC, 60Hz

**NOTES:**

1. INSTALLATION SHALL COMPLY WITH ALL APPLICABLE NATIONAL, STATE AND LOCAL CODES.
2. REFER TO PRODUCT DOCUMENTATION FOR FURTHER INFORMATION.
3. DRAWING DEPICTS POWER SYSTEM CONNECTIONS AND IS NOT REPRESENTATIVE OF PHYSICAL LAYOUT. PLEASE REFER TO MECHANICAL DRAWINGS FOR MORE SPECIFIC PHYSICAL DATA.

- △ 4. UTILITY SOURCE MUST BE 3-WIRE (1 $\phi$ +1 $\phi$ +G), PROVIDED BY OTHERS.  
△ 5. DASHED LINE INDICATES CABLING PROVIDED BY OTHERS.

THIS DRAWING AND SPECIFICATIONS HEREIN ARE THE PROPERTY OF SCHNEIDER ELECTRIC AND SHALL NOT BE COPIED, REPRODUCED OR USED IN WHOLE OR IN PART, AS THE BASIS FOR THE MANUFACTURE OR SALE OF ITEMS WITHOUT WRITTEN PERMISSION FROM SCHNEIDER ELECTRIC. THIS DRAWING IS BASED UPON LATEST AVAILABLE INFORMATION AND IS SUBJECT TO CHANGE WITHOUT NOTICE.



TITLE: SMART-UPS  
STEP-DOWN TRANSFORMER  
INPUT: 208VAC, 1 $\phi$ , 60Hz  
OUTPUT: 5kVA, 120VAC, 1 $\phi$ , 60Hz  
SYSTEM SINGLE-LINE DIAGRAM

PROJECT: STD SUBMITTAL DRAWING SHEET: 2 OF 2

DWG NO:	SRT5KRMTF-SD		REV.	0
DRAWN:	S CUNHA	16JUN2015	PROJ	ANGLE
ENGINEER:	V CHENNAKESAVAN	16JUN2015		N/A
APPROVED:	K WHITE	16JUN2015		