

NOTES:

1. INSTALLATION SHALL COMPLY WITH ALL APPLICABLE NATIONAL AND LOCAL CODES.
2. SEE PRODUCT DOCUMENTATION FOR FURTHER INFORMATION.

THIS DRAWING AND SPECIFICATIONS HEREIN ARE THE PROPERTY OF SCHNEIDER ELECTRIC AND SHALL NOT BE COPIED, REPRODUCED OR USED IN WHOLE OR IN PART, AS THE BASIS FOR THE MANUFACTURE OR SALE OF ITEMS WITHOUT WRITTEN PERMISSION FROM SCHNEIDER ELECTRIC. THIS DRAWING IS BASED UPON LATEST AVAILABLE INFORMATION AND IS SUBJECT TO CHANGE WITHOUT NOTICE.



TITLE: SMART-UPS, 5kVA, 2U, RACKMOUNT
STEP-DOWN TRANSFORMER
INPUT: 208V, 1Ø, 60Hz w/ L6-30P & POWER CORD
OUTPUT: 5kVA, 120VAC, 1Ø, 60Hz
UPS ISOMETRIC VIEWS

PROJECT: STD SUBMITTAL DRAWING SHEET 1 OF 5

DWG NO: SRT5KRMTF

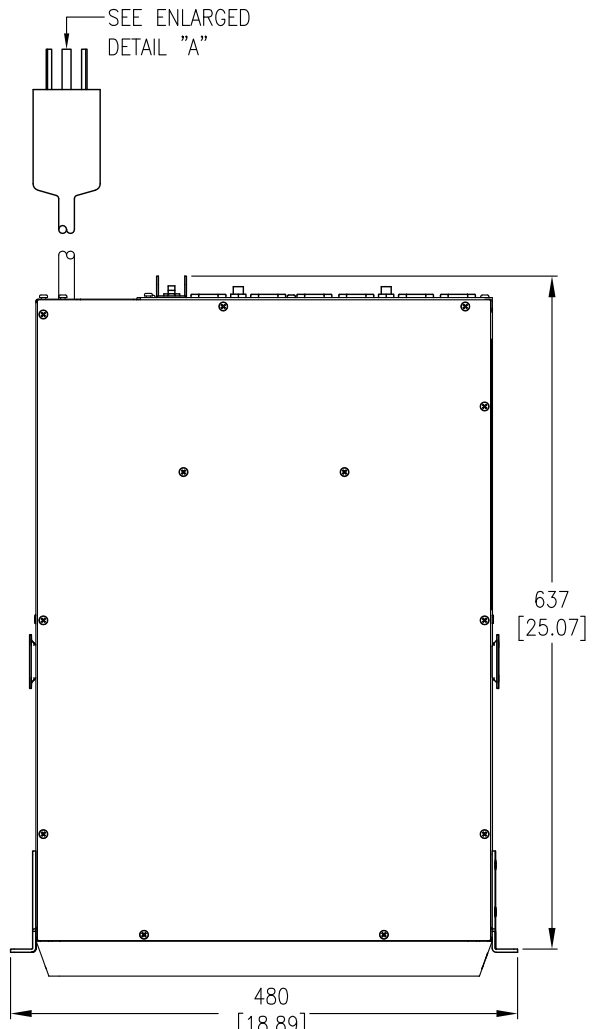
DRAWN BY: S CUNHA 16JUN2015

ENGINEER: E KOTLYAR 16JUN2015

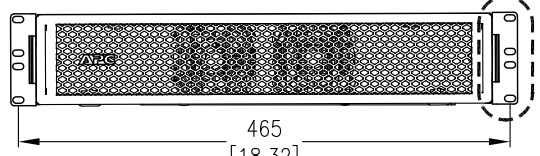
APPROVED BY: K WHITE/J PRECOPIO 16JUN2015

REV 0

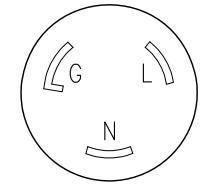
THIRD
ANGLE
PROJ



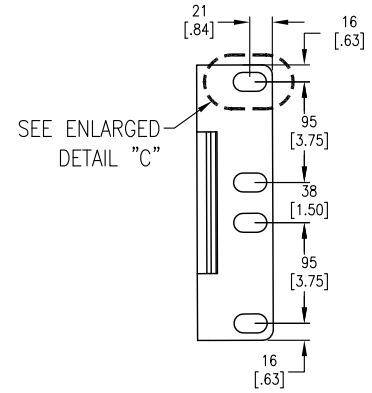
TOP VIEW



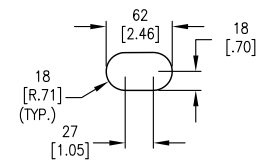
FRONT VIEW



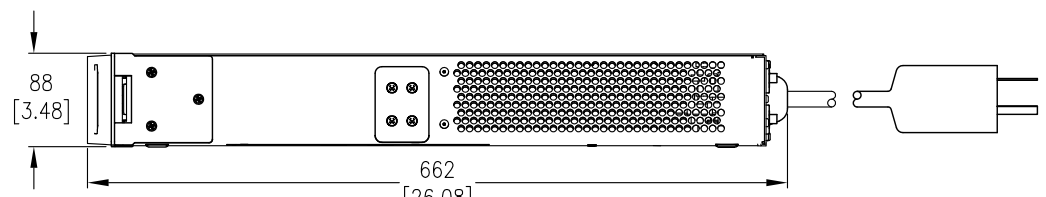
ENLARGED DETAIL "A"
(NEMA L6-30P)



ENLARGED DETAIL "B"
TYPICAL MOUNTING BRACKET



ENLARGED DETAIL "C"
TYPICAL MOUNTING HOLE



SIDE VIEW

- NOTES:**
1. INSTALLATION SHALL COMPLY WITH ALL APPLICABLE NATIONAL, STATE AND LOCAL CODES.
 2. PLEASE REFER TO PRODUCT DOCUMENTATION FOR FURTHER INFORMATION.
 3. UNLESS OTHERWISE SPECIFIED, ALL DIMENSIONS ARE IN MILLIMETERS [INCHES].
 4. WEIGHT OF UNIT IS 54.60 KG [120.00 LBS].
 5. LENGTH OF THE CORD IS 914mm [36.00in].

THIS DRAWING AND SPECIFICATIONS HEREIN ARE THE PROPERTY OF SCHNEIDER ELECTRIC AND SHALL NOT BE COPIED, REPRODUCED OR USED IN WHOLE OR IN PART, AS THE BASIS FOR THE MANUFACTURE OR SALE OF ITEMS WITHOUT WRITTEN PERMISSION FROM SCHNEIDER ELECTRIC. THIS DRAWING IS BASED UPON LATEST AVAILABLE INFORMATION AND IS SUBJECT TO CHANGE WITHOUT NOTICE.



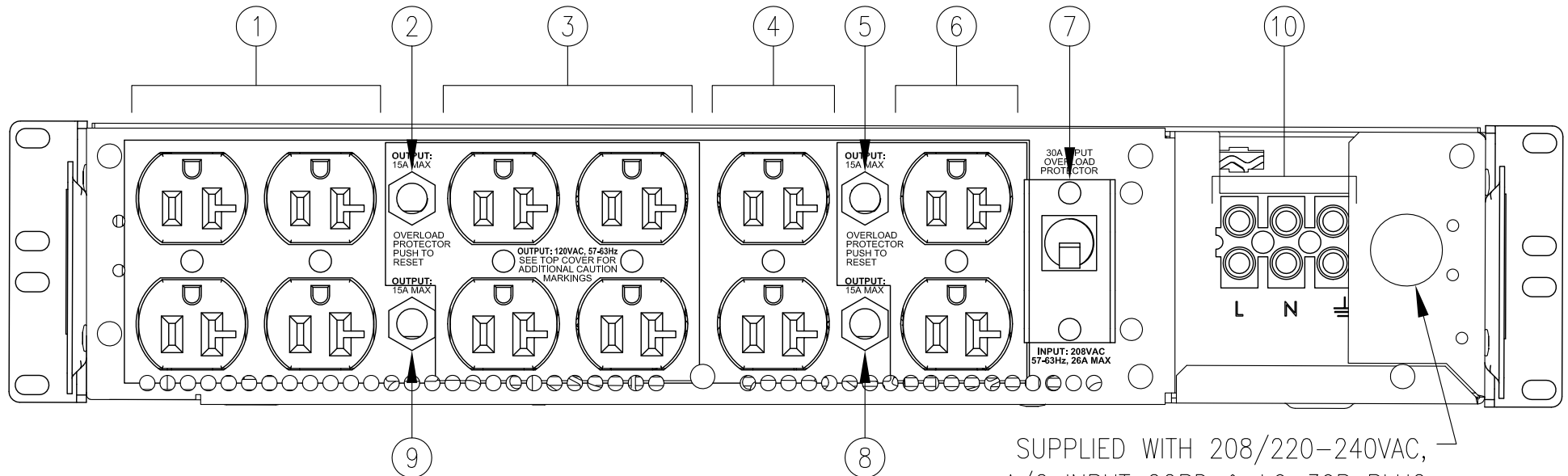
TITLE: SMART-UPS, 5kVA, 2U, RACKMOUNT STEP-DOWN TRANSFORMER
 INPUT: 208V, 1Ø, 60Hz w/ L6-30P & POWER CORD
 OUTPUT: 5kVA, 120VAC, 1Ø, 60Hz
 UPS MAIN MECHANICAL
 PROJECT: STD SUBMITTAL DRAWING SHEET 2 OF 5

DWG NO: **SRT5KRMTF**
 DRAWN BY: S CUNHA 16JUN2015
 ENGINEER: E KOTLYAR 16JUN2015
 APPROVED BY: K WHITE/J PRECOPIO 16JUN2015

REV 0
 THRD ANGLE PROJ

SRT5KRMTE: (NUMBERING PER USER MANUAL)

1. 15A MAXIMUM OUTPUT
2. OVERLOAD PROTECTOR
3. 15A MAXIMUM OUTPUT
4. 15A MAXIMUM OUTPUT
5. OVERLOAD PROTECTOR
6. 15A MAXIMUM OUTPUT
7. INPUT OVERLOAD PROTECTOR
8. OVERLOAD PROTECTOR
9. OVERLOAD PROTECTOR
10. INPUT POWER CORD CONNECTION



SUPPLIED WITH 208/220-240VAC,
 A/C INPUT CORD & L6-30P PLUG
 (SEE SHEETS 1 & 2)

REAR VIEW

NOTES:

1. INSTALLATION SHALL COMPLY WITH ALL APPLICABLE NATIONAL, STATE AND LOCAL CODES.
2. PLEASE REFER TO PRODUCT DOCUMENTATION FOR FURTHER INFORMATION.
3. CORD HAS BEEN OMITTED FOR CLARITY PURPOSES.

THIS DRAWING AND SPECIFICATIONS HEREIN ARE THE PROPERTY OF SCHNEIDER ELECTRIC AND SHALL NOT BE COPIED, REPRODUCED OR USED IN WHOLE OR IN PART, AS THE BASIS FOR THE MANUFACTURE OR SALE OF ITEMS WITHOUT WRITTEN PERMISSION FROM SCHNEIDER ELECTRIC. THIS DRAWING IS BASED UPON LATEST AVAILABLE INFORMATION AND IS SUBJECT TO CHANGE WITHOUT NOTICE.



TITLE: SMART-UPS, 5kVA, 2U, RACKMOUNT STEP-DOWN TRANSFORMER
INPUT: 208V, 1Ø, 60Hz w/ L6-30P & POWER CORD
OUTPUT: 5kVA, 120VAC, 1Ø, 60Hz
 UPS REAR VIEW

PROJECT: STD SUBMITTAL DRAWING **SHEET:** 3 OF 5

DWG NO: SRT5KRMTE

DRAWN BY: S CUNHA	16JUN2015
ENGINEER: E KOTLYAR	16JUN2015
APPROVED BY: K WHITE/J PRECOPIO	16JUN2015

REV: 0
THIRD ANGLE PROJ

UTILITY SOURCE (PROVIDED BY OTHERS)
208VAC, 3-WIRE (1Ø+1Ø+G), 60Hz

RECOMMENDED 30A, 2P
EXTERNAL BREAKER

L6-30R

5

POWER CORD CONNECTED OPTION

STEPDOWN TRANSFORMER
(SRT5KRMTF)

30A,
2P

TRANSFORMER;
5kVA, 208/120VAC

(4) 5-20R

(2) 5-20R

15A, 1P

15A, 1P

15A, 1P

15A, 1P

(4) 5-20R

(2) 5-20R

2-WIRE+GROUND (1Ø+NEUTRAL+GROUND), 120VAC, 60Hz

NOTES:

1. INSTALLATION SHALL COMPLY WITH ALL APPLICABLE NATIONAL, STATE AND LOCAL CODES.
2. PLEASE REFER TO PRODUCT DOCUMENTATION FOR FURTHER INFORMATION.
3. DRAWING DEPICTS POWER SYSTEM CONNECTIONS AND IS NOT REPRESENTATIVE OF PHYSICAL LAYOUT. PLEASE REFER TO MECHANICAL DRAWINGS FOR MORE SPECIFIC PHYSICAL DATA.

△4. UTILITY SOURCE MUST BE 3-WIRE (1Ø+1Ø+G), PROVIDED BY OTHERS.

△5. POWER CORD (WITH L6-30P, TWIST-LOCK), PROVIDED BY Schneider Electric.

THIS DRAWING AND SPECIFICATIONS HEREIN ARE THE PROPERTY OF SCHNEIDER ELECTRIC AND SHALL NOT BE COPIED, REPRODUCED OR USED IN WHOLE OR IN PART, AS THE BASIS FOR THE MANUFACTURE OR SALE OF ITEMS WITHOUT WRITTEN PERMISSION FROM SCHNEIDER ELECTRIC. THIS DRAWING IS BASED UPON LATEST AVAILABLE INFORMATION AND IS SUBJECT TO CHANGE WITHOUT NOTICE.



TITLE: SMART-UPS, 5kVA, 2U, RACKMOUNT
STEP-DOWN TRANSFORMER
INPUT: 208V, 1Ø, 60Hz w/ L6-30P & POWER CORD
OUTPUT: 5kVA, 120VAC, 1Ø, 60Hz
SYSTEM SINGLE-LINE DIAGRAM

PROJECT: STD SUBMITTAL DRAWING SHEET 4 OF 5

DWG NO: **SRT5KRMTF**

DRAWN BY:	S CUNHA	16JUN2015
ENGINEER:	E KOTLYAR	16JUN2015
APPROVED BY:	K WHITE/J PRECOPIO	16JUN2015

REV 0

PROJ ANGLE N/A

UTILITY SOURCE (PROVIDED BY OTHERS)
208VAC, 3-WIRE (1Ø+1Ø+G), 60Hz

RECOMMENDED 30A, 2P
EXTERNAL BREAKER



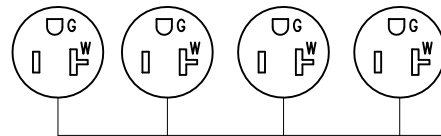
HARDWIRED POWER OPTION

STEPDOWN TRANSFORMER
(SRT5KRMTF)

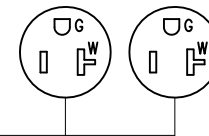
30A,
2P

TRANSFORMER;
5kVA, 208/120VAC

(4) 5-20R



(2) 5-20R



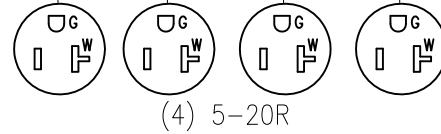
15A, 1P

15A, 1P

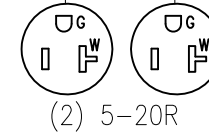
15A, 1P

15A, 1P

(4) 5-20R



(2) 5-20R



2-WIRE+GROUND (1Ø+NEUTRAL+GROUND), 120VAC, 60Hz

NOTES:

1. INSTALLATION SHALL COMPLY WITH ALL APPLICABLE NATIONAL, STATE AND LOCAL CODES.
 2. PLEASE REFER TO PRODUCT DOCUMENTATION FOR FURTHER INFORMATION.
 3. DRAWING DEPICTS POWER SYSTEM CONNECTIONS AND IS NOT REPRESENTATIVE OF PHYSICAL LAYOUT. PLEASE REFER TO MECHANICAL DRAWINGS FOR MORE SPECIFIC PHYSICAL DATA.
- △4. UTILITY SOURCE MUST BE 3-WIRE (1Ø+1Ø+G), PROVIDED BY OTHERS.
- △5. DASHED LINE INDICATES CABLING PROVIDED BY OTHERS.

THIS DRAWING AND SPECIFICATIONS HEREIN ARE THE PROPERTY OF SCHNEIDER ELECTRIC AND SHALL NOT BE COPIED, REPRODUCED OR USED IN WHOLE OR IN PART, AS THE BASIS FOR THE MANUFACTURE OR SALE OF ITEMS WITHOUT WRITTEN PERMISSION FROM SCHNEIDER ELECTRIC. THIS DRAWING IS BASED UPON LATEST AVAILABLE INFORMATION AND IS SUBJECT TO CHANGE WITHOUT NOTICE.



TITLE: SMART-UPS, 5kVA, 2U, RACKMOUNT
STEP-DOWN TRANSFORMER
INPUT: 208V, 1Ø, 60Hz
OUTPUT: 5kVA, 120VAC, 1Ø, 60Hz
SYSTEM SINGLE-LINE DIAGRAM

PROJECT: STD SUBMITTAL DRAWING SHEET 5 OF 5

DWG NO:	SRT5KRMTF		REV	0
DRAWN BY:	S CUNHA	16JUN2015	PROJ	ANGLE
ENGINEER:	E KOTLYAR	16JUN2015		N/A
APPROVED BY:	K WHITE/J PRECOPIO	16JUN2015		