

NOTES:

1. INSTALLATION SHALL COMPLY WITH ALL APPLICABLE NATIONAL AND LOCAL CODES.
2. SEE PRODUCT DOCUMENTATION FOR FURTHER INFORMATION.
3. FOR ADDITIONAL DETAILS REFER TO DRAWINGS FOR INDIVIDUAL COMPONENTS.

THIS DRAWING AND SPECIFICATIONS HEREIN ARE THE PROPERTY OF SCHNEIDER ELECTRIC AND SHALL NOT BE COPIED, REPRODUCED OR USED IN WHOLE OR IN PART, AS THE BASIS FOR THE MANUFACTURE OR SALE OF ITEMS WITHOUT WRITTEN PERMISSION FROM SCHNEIDER ELECTRIC. THIS DRAWING IS BASED UPON LATEST AVAILABLE INFORMATION AND IS SUBJECT TO CHANGE WITHOUT NOTICE.



TITLE: Smart-UPS Online (SRT) w/ TRANSFORMER
 SRT10KXLT-5KTF2 + SRT192BP2 - TOWER
 INPUT: 208/240VAC, (L1+L2+G), HARDWIRE
 UPS OUTPUT: 208/240VAC, (L1+L2+G), (6) NEMA L6-30R, HARDWIRE
 TRANSFORMER OUTPUT: 120-208/240VAC, (2) NEMA L14-30R,
 (4) NEMA L6-20R, (2) NEMA L5-30R, (16) 5-20R
 ISOMETRIC VIEWS

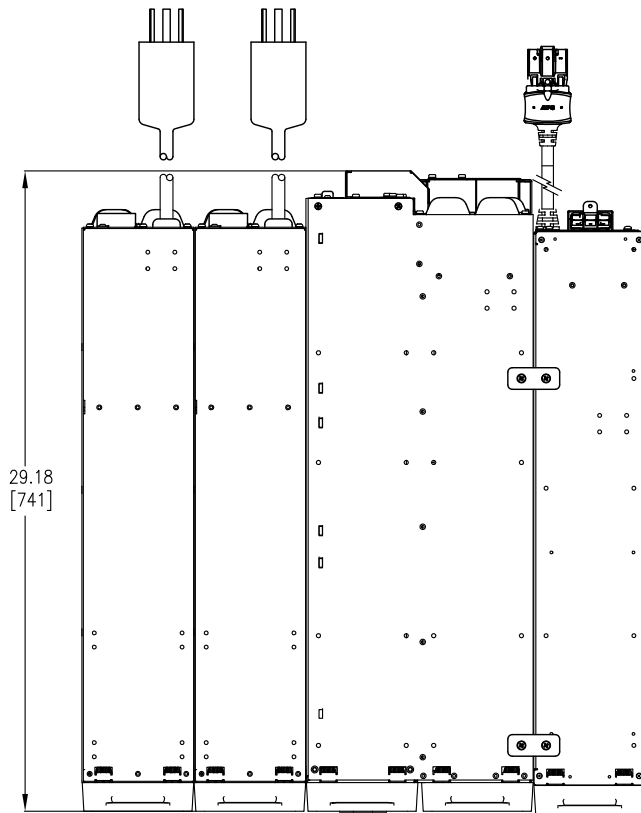
PROJECT: STD SUBMITTAL DRAWING SHEET 1 OF 4

DWG NO: SRT10KXLT-5KTF2

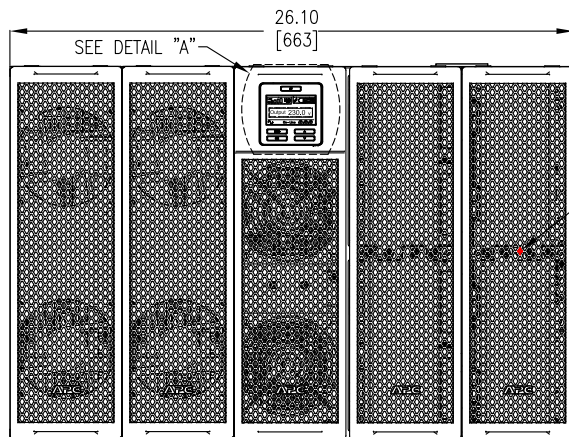
DRAWN BY: S CUNHA	16JUN2015
ENGINEER: E KOTLYAR	16JUN2015
APPROVED BY: K WHITE/J PRECOPIO	16JUN2015

REV 0

THIRD ANGLE PROJ



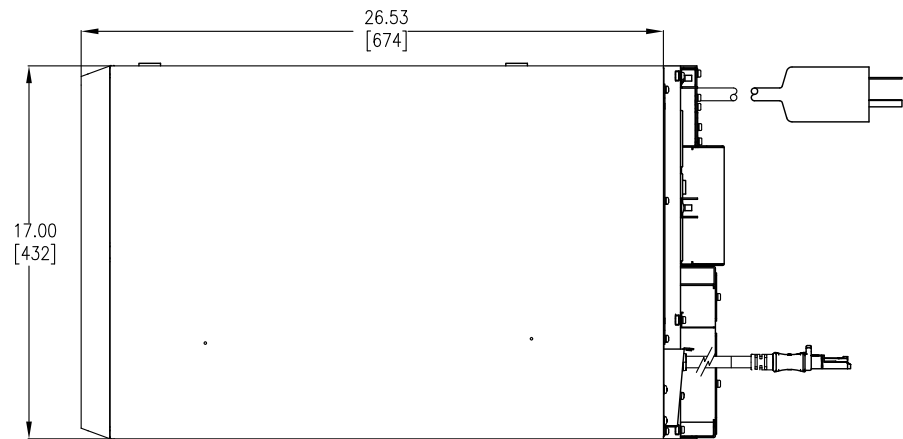
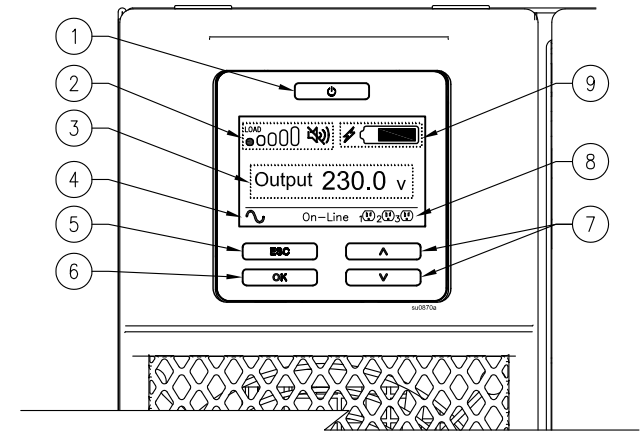
TOP VIEW



FRONT VIEW

DISPLAY INTERFACE:

1. POWER "ON/OFF" BUTTON.
2. LOAD ICON, DISABLE/MUTE AUDIBLE ALARM ICON.
3. UPS STATUS INFORMATION.
4. OPERATION MODE ICONS.
5. "ESCAPE" BUTTON.
6. "OK" BUTTON.
7. "UP/DOWN" BUTTONS.
8. CONTROLLABLE OUTLET GROUP STATUS ICONS.
9. BATTERY STATUS ICONS.



SIDE VIEW

NOTES:

1. INSTALLATION SHALL COMPLY WITH ALL APPLICABLE NATIONAL, STATE AND LOCAL CODES.
2. PLEASE REFER TO PRODUCT DOCUMENTATION FOR FURTHER INFORMATION.
3. UNLESS OTHERWISE SPECIFIED, ALL DIMENSIONS ARE IN INCHES [MILLIMETERS].
4. WEIGHT OF UNIT IS 696.20 LBS [316.46 KG].
5. CABLE ENTRY FROM REAR SIDE OF UNIT.

THIS DRAWING AND SPECIFICATIONS HEREIN ARE THE PROPERTY OF SCHNEIDER ELECTRIC AND SHALL NOT BE COPIED, REPRODUCED OR USED IN WHOLE OR IN PART, AS THE BASIS FOR THE MANUFACTURE OR SALE OF ITEMS WITHOUT WRITTEN PERMISSION FROM SCHNEIDER ELECTRIC. THIS DRAWING IS BASED UPON LATEST AVAILABLE INFORMATION AND IS SUBJECT TO CHANGE WITHOUT NOTICE.



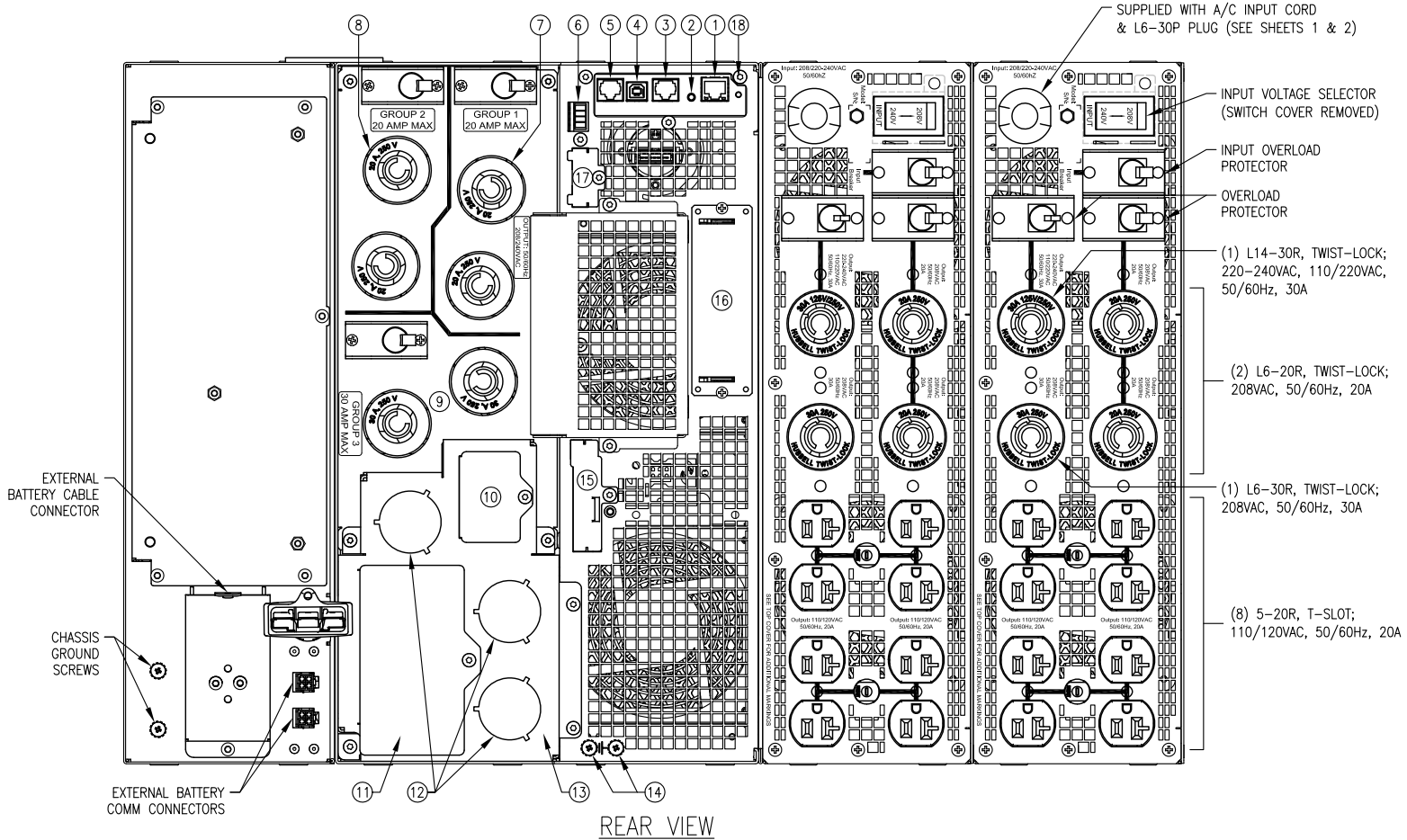
TITLE: Smart-UPS Online (SRT) w/ TRANSFORMER
SRT10KXLT-5KTF2 + SRT192BP2 - TOWER
INPUT: 208/240VAC, (L1 + L2 + G), HARDWIRE
UPS OUTPUT: 208/240VAC, (L1 + L2 + G), (6) NEMA L6-30R, HARDWIRE
TRANSFORMER OUTPUT: 120-208/240VAC, (2) NEMA L14-30R,
(4) NEMA L6-20R, (2) NEMA L6-30R, (16) 5-20R
MAIN MECHANICAL

PROJECT: STD SUBMITTAL DRAWING SHEET 2 OF 4

DWG NO:	SRT10KXLT-5KTF2	REV	0
DRAWN BY:	S CUNHA	16JUN2015	THIRD ANGLE PROJ
ENGINEER:	E KOTLYAR	16JUN2015	
APPROVED BY:	K WHITE/J PRECOPIO	16JUN2015	

SRT10KXLT: (NUMBERING PER OPERATIONS MANUAL)

1. NETWORK PORT
2. CONSOLE PORT
3. UNIVERSAL I/O PORT
4. USB PORT
5. SERIAL COM
6. EPO TERMINAL
7. CONTROLLABLE OUTLET GROUP 1 [(2) NEMA L6-20R] WITH CIRCUIT BREAKER
8. CONTROLLABLE OUTLET GROUP 2 [(2) NEMA L6-20R] WITH CIRCUIT BREAKER
9. CONTROLLABLE OUTLET GROUP 3 [(2) NEMA L6-30R] WITH CIRCUIT BREAKER
10. AC OUTPUT INSPECTION PANEL
11. AC INPUT INSPECTION PANEL
12. AC HARDWIRE KNOCKOUTS
13. HARDWIRE BOX INPUT/OUTPUT
14. CHASSIS GROUND SCREWS
15. EXTERNAL BATTERY POWER AND COMMUNICATION CONNECTORS
16. SMART SLOT
17. PRL COMM PORT
18. RESET BUTTON



NOTES:

1. INSTALLATION SHALL COMPLY WITH ALL APPLICABLE NATIONAL, STATE AND LOCAL CODES.
2. PLEASE REFER TO PRODUCT DOCUMENTATION FOR FURTHER INFORMATION.

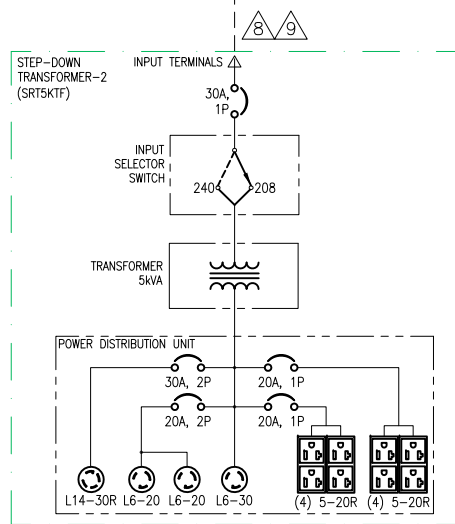
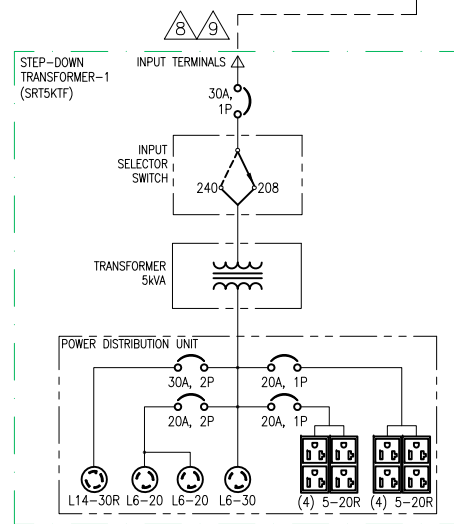
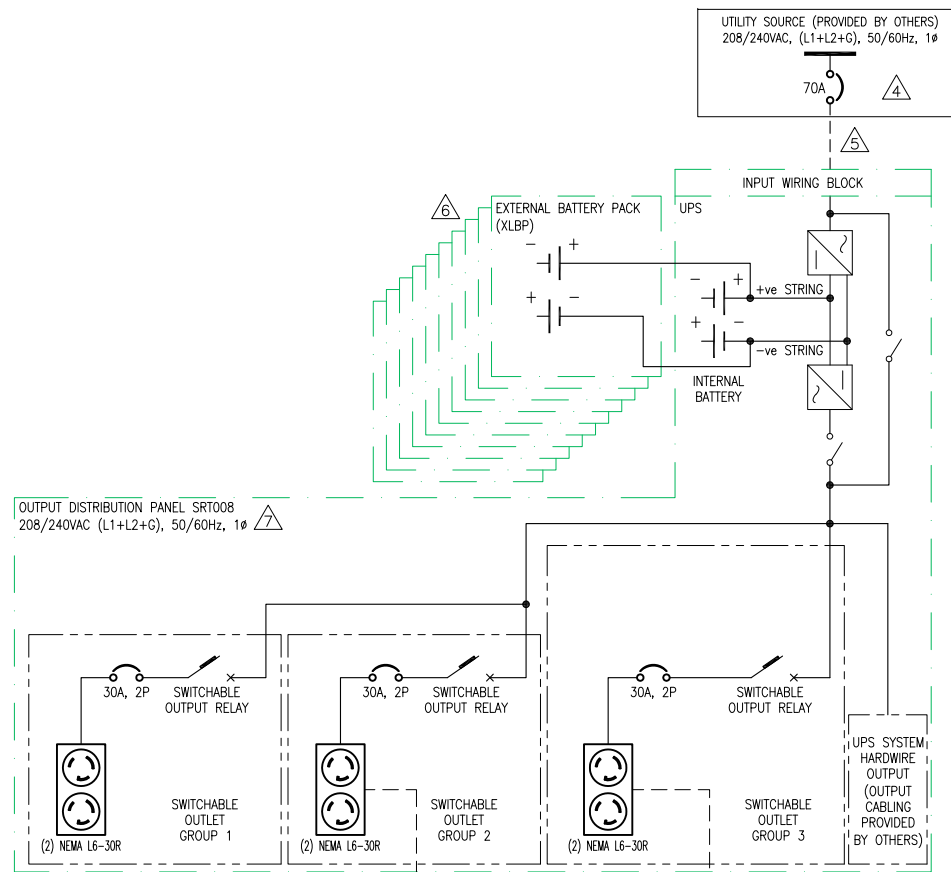
THIS DRAWING AND SPECIFICATIONS HEREIN ARE THE PROPERTY OF SCHNEIDER ELECTRIC AND SHALL NOT BE COPIED, REPRODUCED OR USED IN WHOLE OR IN PART, AS THE BASIS FOR THE MANUFACTURE OR SALE OF ITEMS WITHOUT WRITTEN PERMISSION FROM SCHNEIDER ELECTRIC. THIS DRAWING IS BASED UPON LATEST AVAILABLE INFORMATION AND IS SUBJECT TO CHANGE WITHOUT NOTICE.



TITLE: Smart-UPS OnLine (SRT) w/ TRANSFORMER SRT10KXLT-5KTF2 + SRT192BP2 - TOWER
 INPUT: 208/240VAC, (L1 + L2 + G), HARDWIRE
 UPS OUTPUT: 208/240VAC, (L1 + L2 + G), (6) NEMA L6-30R, HARDWIRE
 TRANSFORMER OUTPUT: 120-208/240VAC, (2) NEMA L14-30R, (4) NEMA L6-20R, (2) NEMA L6-30R, (16) 5-20R
 REAR VIEW

PROJECT: STD SUBMITTAL DRAWING SHEET 3 OF 4

DWG NO:	SRT10KXLT-5KTF2		REV 0
DRAWN BY:	S CUNHA	16JUN2015	THIRD ANGLE PROJ
ENGINEER:	E KOTLYAR	16JUN2015	
APPROVED BY:	K WHITE/J PRECOPIO	16JUN2015	



NOTES:

1. INSTALLATION SHALL COMPLY WITH ALL APPLICABLE NATIONAL, STATE AND LOCAL CODES.
2. PLEASE REFER TO PRODUCT DOCUMENTATION FOR FURTHER INFORMATION.
3. STD SUBMITTAL DRAWING DEPICTS POWER SYSTEM CONNECTIONS AND IS NOT REPRESENTATIVE OF PHYSICAL LAYOUT. PLEASE REFER TO MECHANICAL STD SUBMITTAL DRAWINGS FOR MORE SPECIFIC PHYSICAL DATA.
- △ 4. UTILITY SOURCE MUST BE NOMINAL 208/240VAC, (L1+L2+G), 50/60Hz, 1Ø, PROVIDED BY OTHERS.
- △ 5. DASHED LINE BETWEEN UTILITY SOURCE AND THE UNIT (-----) REPRESENTS CABLING PROVIDED BY OTHERS.
- △ 6. ADDITIONAL EXTERNAL BATTERY PACKS (UP TO 10), CAN BE CONNECTED TO INCREASE THE RUN TIME FURTHER.
- △ 7. REPLACE EXISTING OUTPUT DISTRIBUTION PANEL ON UPS WITH SRT008. REFER TO SRT008 INSTALLATION MANUAL FOR DETAILED INSTRUCTION. OUTPUT DISTRIBUTION PANEL CONTAINS SWITCHABLE OUTLET GROUPS.
- △ 8. DASHED LINE BETWEEN UPS AND STEP-DOWN TRANSFORMER (----) REPRESENTS POWER CORD (WITH L6-30P, TWIST-LOCK), PROVIDED BY Schneider Electric.
- △ 9. STEP-DOWN TRANSFORMERS CAN BE CONNECTED TO ANY OUTLET GROUPS.

THIS DRAWING AND SPECIFICATIONS HEREIN ARE THE PROPERTY OF SCHNEIDER ELECTRIC AND SHALL NOT BE COPIED, REPRODUCED OR USED IN WHOLE OR IN PART, AS THE BASIS FOR THE MANUFACTURE OR SALE OF ITEMS WITHOUT WRITTEN PERMISSION FROM SCHNEIDER ELECTRIC. THIS DRAWING IS BASED UPON LATEST AVAILABLE INFORMATION AND IS SUBJECT TO CHANGE WITHOUT NOTICE.



TITLE: Smart-UPS Online (SRT) w/ TRANSFORMER SRT10KXLT-5KTF2 + SRT192BP2 - TOWER
 INPUT: 208/240VAC, (L1+L2+G), HARDWARE
 UPS OUTPUT: 208/240VAC, (L1+L2+G), (6) NEMA L6-30R, HARDWARE
 TRANSFORMER OUTPUT: 120-208/240VAC, (2) NEMA L14-30R, (4) NEMA L6-20R, (2) NEMA L6-30R, (16) 5-20R
 SYSTEM SINGLE-LINE DIAGRAM
PROJECT: STD SUBMITTAL DRAWING **SHEET:** 4 OF 4

DWG NO:	SRT10KXLT-5KTF2		REV	0
DRAWN BY:	S CUNHA	16JUN2015	PROJ	ANGLE
ENGINEER:	V CHENNAKESAVAN	16JUN2015	PROJ	ANGLE
APPROVED BY:	K WHITE/J PRECOPIO	16JUN2015	PROJ	N/A