

NOTES:

1. INSTALLATION SHALL COMPLY WITH ALL APPLICABLE NATIONAL AND LOCAL CODES.
2. SEE PRODUCT DOCUMENTATION FOR FURTHER INFORMATION.
3. FOR ADDITIONAL DETAILS REFER TO DRAWINGS FOR INDIVIDUAL COMPONENTS.

THIS DRAWING AND SPECIFICATIONS HEREIN ARE THE PROPERTY OF SCHNEIDER ELECTRIC AND SHALL NOT BE COPIED, REPRODUCED OR USED IN WHOLE OR IN PART, AS THE BASIS FOR THE MANUFACTURE OR SALE OF ITEMS WITHOUT WRITTEN PERMISSION FROM SCHNEIDER ELECTRIC. THIS DRAWING IS BASED UPON LATEST AVAILABLE INFORMATION AND IS SUBJECT TO CHANGE WITHOUT NOTICE.



TITLE: Smart-UPS Online (SRT) w/ TRANSFORMER
 SRT10KRMXL1-10KTF + SRT192RMBP2 - RACKMOUNT
 INPUT: 208/240VAC, (L1 + L2 + G), HARDWIRE
 UPS OUTPUT: 208/240VAC, (L1 + L2 + G), (4) NEMA L6-20R, (2) NEMA L6-30R
 TRANSFORMER OUTPUT: 120-208/240VAC, (2) NEMA L14-30R,
 (2) NEMA L5-20R, HARDWIRE
 ISOMETRIC VIEWS

PROJECT: STD SUBMITTAL DRAWING SHEET 1 OF 4

DWG NO: SRT10KRMXL1-10KTF

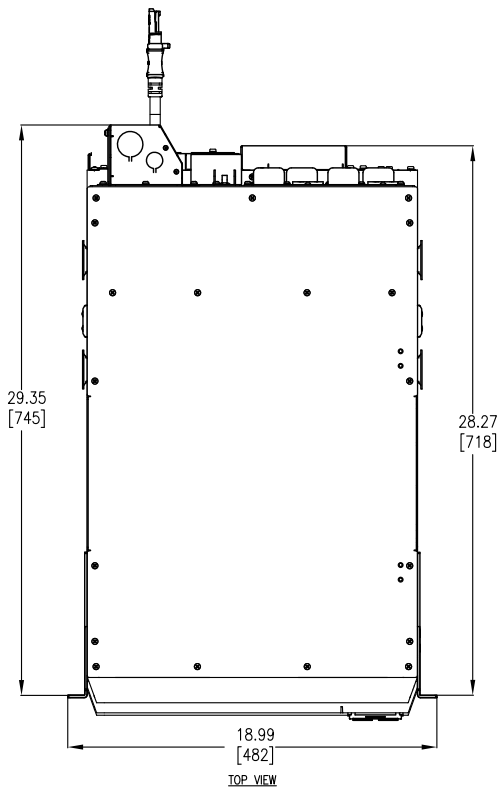
REV 0

DRAWN BY: S CUNHA 16JUN2015

ENGINEER: E KOTLYAR 16JUN2015

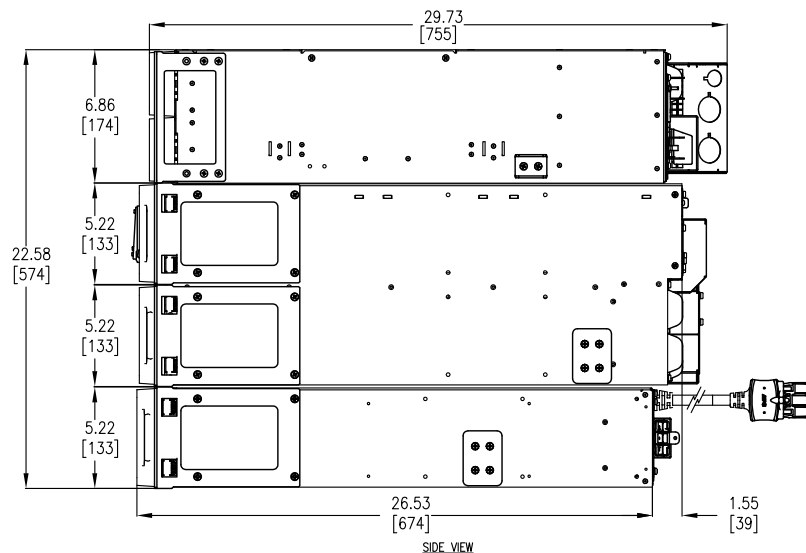
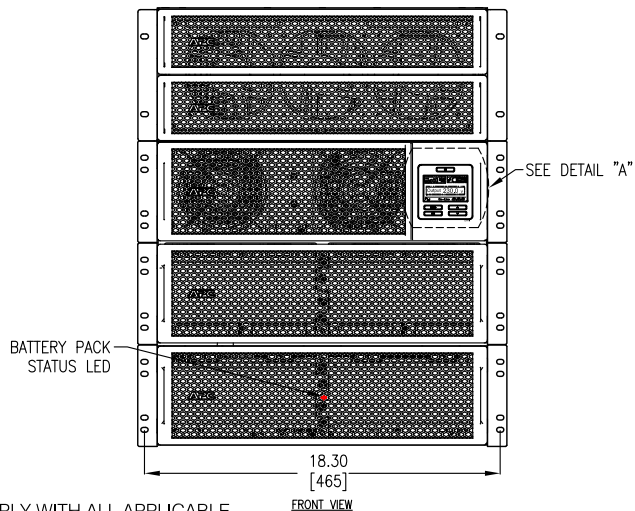
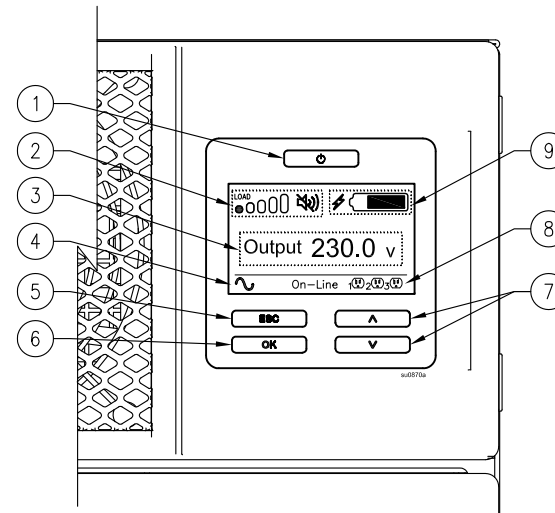
APPROVED BY: K WHITE/J PRECOPIO 16JUN2015

THIRD ANGLE PROJ



DISPLAY INTERFACE:

1. POWER "ON/OFF" BUTTON.
2. LOAD ICON, DISABLE/MUTE AUDIBLE ALARM ICON.
3. UPS STATUS INFORMATION.
4. OPERATION MODE ICONS.
5. "ESCAPE" BUTTON.
6. "OK" BUTTON.
7. "UP/DOWN" BUTTONS.
8. CONTROLLABLE OUTLET GROUP STATUS ICONS.
9. BATTERY STATUS ICONS.



NOTES:

1. INSTALLATION SHALL COMPLY WITH ALL APPLICABLE NATIONAL, STATE AND LOCAL CODES.
2. PLEASE REFER TO PRODUCT DOCUMENTATION FOR FURTHER INFORMATION.
3. UNLESS OTHERWISE SPECIFIED, ALL DIMENSIONS ARE IN INCHES [MILLIMETERS].
4. WEIGHT OF UNIT IS 666.20 LBS [302.82 KG].
5. CABLE ENTRY FROM REAR SIDE OF UNIT.

THIS DRAWING AND SPECIFICATIONS HEREIN ARE THE PROPERTY OF SCHNEIDER ELECTRIC AND SHALL NOT BE COPIED, REPRODUCED OR USED IN WHOLE OR IN PART, AS THE BASIS FOR THE MANUFACTURE OR SALE OF ITEMS WITHOUT WRITTEN PERMISSION FROM SCHNEIDER ELECTRIC. THIS DRAWING IS BASED UPON LATEST AVAILABLE INFORMATION AND IS SUBJECT TO CHANGE WITHOUT NOTICE.



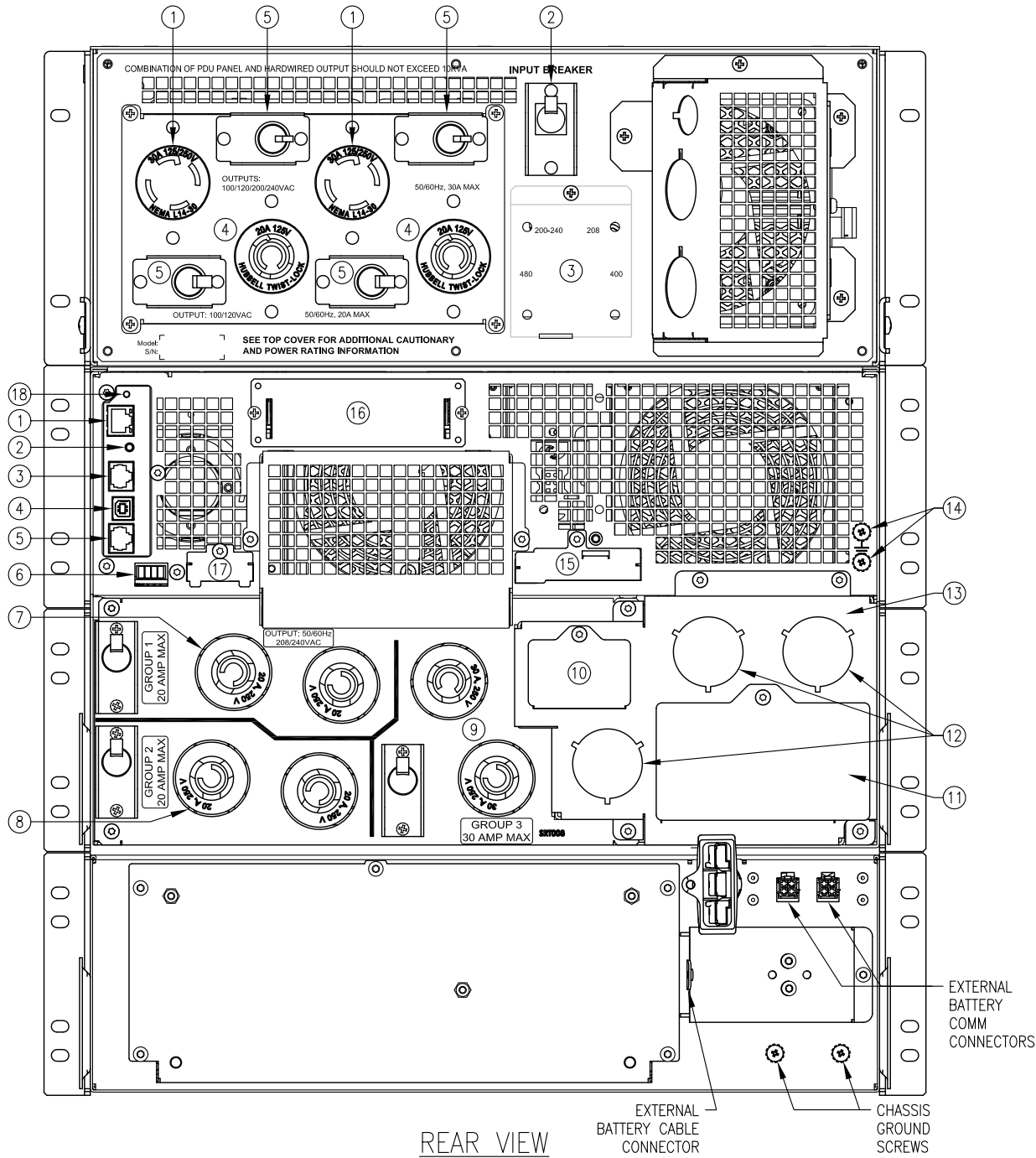
TITLE: Smart-UPS Online (SRT) w/ TRANSFORMER
SRT10KRMXL1-10KTF + SRT192RMBP2 - RACKMOUNT
INPUT: 208/240VAC, (L1 + L2 + G), HARDWIRE
UPS OUTPUT: 208/240VAC, (L1 + L2 + G), (4) NEMA L6-20R, (2) NEMA L6-30R
TRANSFORMER OUTPUT: 120-208/240VAC, (2) NEMA L14-30R,
(2) NEMA L5-20R, HARDWIRE
MAIN MECHANICAL

PROJECT: STD SUBMITTAL DRAWING SHEET 2 OF 4

DWG NO:	SRT10KRMXL1-10KTF	REV	0
DRAWN BY:	S CUNHA	16JUN2015	THIRD ANGLE PROJ
ENGINEER:	E KOTLYAR	16JUN2015	
APPROVED BY:	K WHITE/J PRECOPIO	16JUN2015	

- SRT10KRMTF:** (NUMBERING PER USER MANUAL)
1. NEMA L14-30, TWIST-LOCK; 30A, 100/120/200/240VAC
 2. INPUT OVERLOAD PROTECTOR
 3. OUTPUT VOLTAGE SELECTOR (SWITCH COVER REMOVED)
 4. NEMA L5-20, TWIST-LOCK; 20A, 120VAC
 5. OUTPUT OVERLOAD PROTECTOR

- SRT10KRMXL:** (NUMBERING PER OPERATIONS MANUAL)
1. NETWORK PORT
 2. CONSOLE PORT
 3. UNIVERSAL I/O PORT
 4. USB PORT
 5. SERIAL COM
 6. EPO TERMINAL
 7. CONTROLLABLE OUTLET GROUP 1 [(2) NEMA L6-20R] WITH CIRCUIT BREAKER
 8. CONTROLLABLE OUTLET GROUP 2 [(2) NEMA L6-20R] WITH CIRCUIT BREAKER
 9. CONTROLLABLE OUTLET GROUP 3 [(2) NEMA L6-30R] WITH CIRCUIT BREAKER
 10. AC OUTPUT INSPECTION PANEL
 11. AC INPUT INSPECTION PANEL
 12. AC HARDWIRE KNOCKOUTS
 13. HARDWIRE BOX INPUT/OUTPUT
 14. CHASSIS GROUND SCREWS
 15. EXTERNAL BATTERY POWER AND COMMUNICATION CONNECTORS
 16. SMART SLOT
 17. PRL COMM PORT
 18. RESET BUTTON



REAR VIEW

EXTERNAL BATTERY CABLE CONNECTOR

EXTERNAL BATTERY COMM CONNECTORS

CHASSIS GROUND SCREWS

NOTES:

1. INSTALLATION SHALL COMPLY WITH ALL APPLICABLE NATIONAL, STATE AND LOCAL CODES.
2. PLEASE REFER TO PRODUCT DOCUMENTATION FOR FURTHER INFORMATION.

THIS DRAWING AND SPECIFICATIONS HEREIN ARE THE PROPERTY OF SCHNEIDER ELECTRIC AND SHALL NOT BE COPIED, REPRODUCED OR USED IN WHOLE OR IN PART, AS THE BASIS FOR THE MANUFACTURE OR SALE OF ITEMS WITHOUT WRITTEN PERMISSION FROM SCHNEIDER ELECTRIC. THIS DRAWING IS BASED UPON LATEST AVAILABLE INFORMATION AND IS SUBJECT TO CHANGE WITHOUT NOTICE.



TITLE: Smart-UPS Online (SRT) w/ TRANSFORMER
 SRT10KRMXL-10KTF + SRT192RMBP2 - RACKMOUNT
 INPUT: 208/240VAC, (L1 + L2 + G), HARDWIRE
 UPS OUTPUT: 208/240VAC, (L1 + L2 + G), (4) NEMA L6-20R, (2) NEMA L6-30R
 TRANSFORMER OUTPUT: 120/208/240VAC, (2) NEMA L14-30R,
 (2) NEMA L5-20R, HARDWIRE
 REAR VIEW

PROJECT: STD SUBMITTAL DRAWING SHEET 3 OF 4

DWG NO: SRT10KRMXL-10KTF

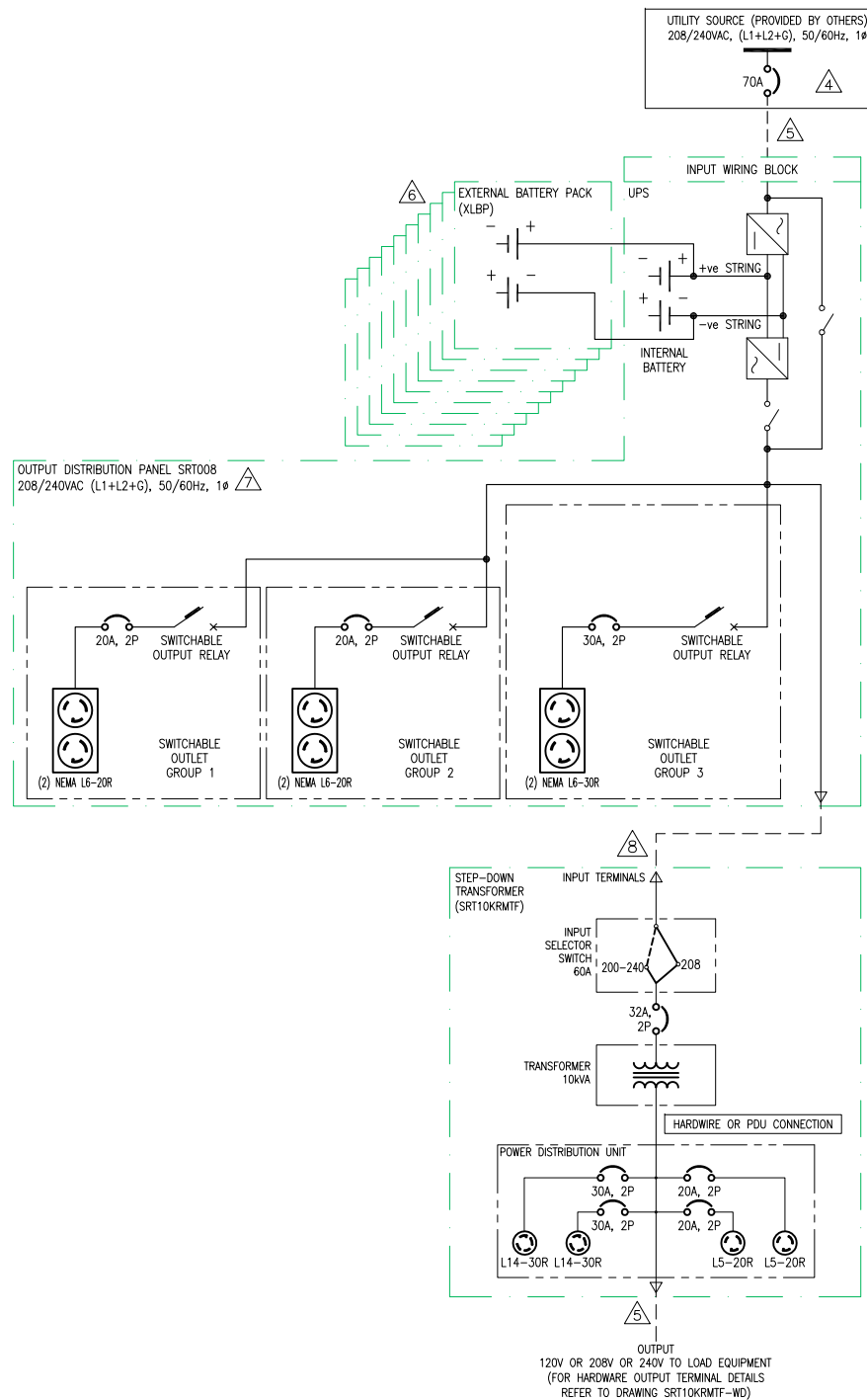
REV 0

DRAWN BY: S CUNHA 16JUN2015

ENGINEER: E KOTLYAR 16JUN2015

APPROVED BY: K WHITE/J PRECOPIO 16JUN2015

THIRD ANGLE PROJ



NOTES:

1. INSTALLATION SHALL COMPLY WITH ALL APPLICABLE NATIONAL, STATE AND LOCAL CODES.
2. PLEASE REFER TO PRODUCT DOCUMENTATION FOR FURTHER INFORMATION.
3. STD SUBMITTAL DRAWING DEPICTS POWER SYSTEM CONNECTIONS AND IS NOT REPRESENTATIVE OF PHYSICAL LAYOUT. PLEASE REFER TO MECHANICAL STD SUBMITTAL DRAWINGS FOR MORE SPECIFIC PHYSICAL DATA.
- △ 4. UTILITY SOURCE MUST BE NOMINAL 208/240VAC, (L1+L2+G), 50/60Hz, 1Ø, PROVIDED BY OTHERS.
- △ 5. DASHED LINE BETWEEN UTILITY SOURCE AND THE UNIT (-----) REPRESENTS CABLING PROVIDED BY OTHERS.
- △ 6. ADDITIONAL EXTERNAL BATTERY PACKS (UP TO 10), CAN BE CONNECTED TO INCREASE THE RUN TIME FURTHER.
- △ 7. OUTPUT DISTRIBUTION PANEL CONTAINS SWITCHABLE OUTPUT GROUPS. REFER TO INSTALLATION MANUAL FOR DETAILED INSTRUCTIONS.
- △ 8. DASHED LINE BETWEEN UPS AND STEP-DOWN TRANSFORMER (----) REPRESENTS CABLING PROVIDED BY OTHERS.

THIS DRAWING AND SPECIFICATIONS HEREIN ARE THE PROPERTY OF SCHNEIDER ELECTRIC AND SHALL NOT BE COPIED, REPRODUCED OR USED IN WHOLE OR IN PART, AS THE BASIS FOR THE MANUFACTURE OR SALE OF ITEMS WITHOUT WRITTEN PERMISSION FROM SCHNEIDER ELECTRIC. THIS DRAWING IS BASED UPON LATEST AVAILABLE INFORMATION AND IS SUBJECT TO CHANGE WITHOUT NOTICE.



TITLE: Smart-UPS Online (SRT) w/ TRANSFORMER SRT10KRMXL1-10KTF + SRT192RMBP2 - RACKMOUNT
 INPUT: 208/240VAC, (L1+L2+G), HARDWIRE
 UPS OUTPUT: 208/240VAC, (L1+L2+G), (4) NEMA L6-20R, (2) NEMA L6-30R
 TRANSFORMER OUTPUT: 120-208/240VAC, (2) NEMA L14-30R, (2) NEMA L5-20R; HARDWIRE
 SYSTEM SINGLE-LINE DIAGRAM
PROJECT: STD SUBMITTAL DRAWING **SHEET** 4 OF 4

DWG NO:	SRT10KRMXL1-10KTF		REV	0
DRAWN BY:	S CUNHA	16JUN2015	PROJ	ANGLE
ENGINEER:	V CHENNAKESAVAN	16JUN2015	PROJ	ANGLE
APPROVED BY:	K WHITE/J PRECOPIO	16JUN2015	PROJ	ANGLE
			PROJ	N/A