

NOTES:

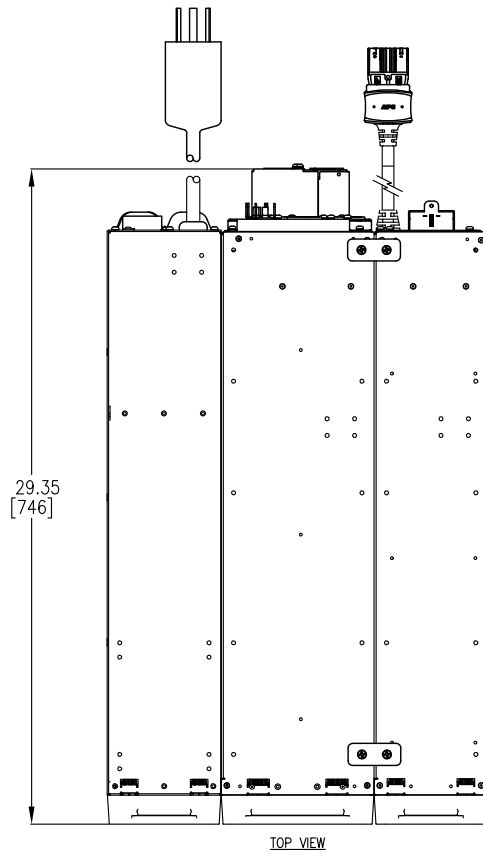
1. INSTALLATION SHALL COMPLY WITH ALL APPLICABLE NATIONAL AND LOCAL CODES.
2. SEE PRODUCT DOCUMENTATION FOR FURTHER INFORMATION.
3. FOR ADDITIONAL DETAILS REFER TO DRAWINGS FOR INDIVIDUAL COMPONENTS.

THIS DRAWING AND SPECIFICATIONS HEREIN ARE THE PROPERTY OF SCHNEIDER ELECTRIC AND SHALL NOT BE COPIED, REPRODUCED OR USED IN WHOLE OR IN PART, AS THE BASIS FOR THE MANUFACTURE OR SALE OF ITEMS WITHOUT WRITTEN PERMISSION FROM SCHNEIDER ELECTRIC. THIS DRAWING IS BASED UPON LATEST AVAILABLE INFORMATION AND IS SUBJECT TO CHANGE WITHOUT NOTICE.



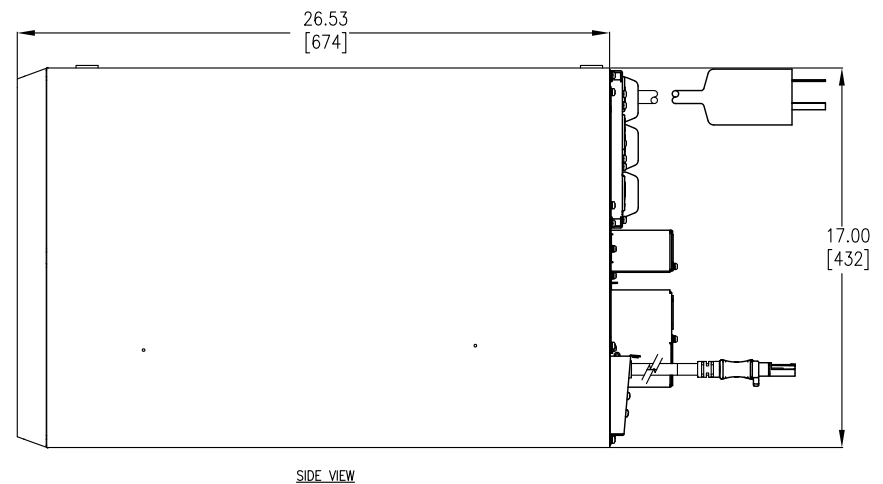
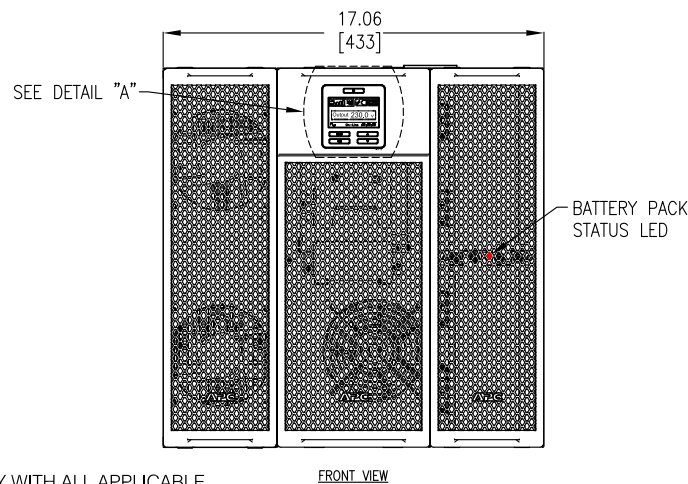
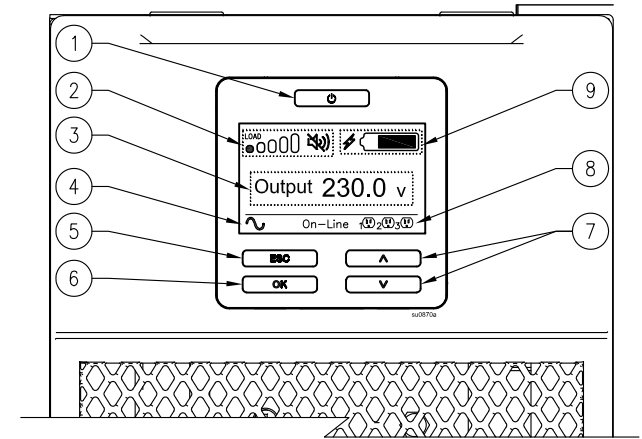
TITLE: Smart-UPS Online (SRT) w/ TRANSFORMER
 SRT6KXLT-5KTF + SRT192BP - TOWER
 INPUT: 208VAC, (L1+L2+G), HARDWIRE
 UPS OUTPUT: 208/240VAC, (1) HARDWIRE, 3-WIRE (L1+L2+G),
 (2) NEMA L6-20R, (1) NEMA L6-30R, (2) NEMA L6-30R
 TRANSFORMER OUTPUT: 110/120/208/220/240VAC, (1) L1-L3-R, (2) L5-20R, (3) L6-30R, (8) 5-20
 ISOMETRIC VIEWS
PROJECT: STD SUBMITTAL DRAWING **SHEET** 1 OF 4

DWG NO:	SRT6KXLT-5KTF		REV	0
DRAWN BY:	S CUNHA	16JUN2015	THIRD ANGLE PROJ	
ENGINEER:	E KOTLYAR	16JUN2015		
APPROVED BY:	K WHITE/J PRECOPIO	16JUN2015		



DISPLAY INTERFACE:

1. POWER "ON/OFF" BUTTON.
2. LOAD ICON, DISABLE/MUTE AUDIBLE ALARM ICON.
3. UPS STATUS INFORMATION.
4. OPERATION MODE ICONS.
5. "ESCAPE" BUTTON.
6. "OK" BUTTON.
7. "UP/DOWN" BUTTONS.
8. CONTROLLABLE OUTLET GROUP STATUS ICONS.
9. BATTERY STATUS ICONS.



NOTES:

1. INSTALLATION SHALL COMPLY WITH ALL APPLICABLE NATIONAL, STATE AND LOCAL CODES.
2. PLEASE REFER TO PRODUCT DOCUMENTATION FOR FURTHER INFORMATION.
3. UNLESS OTHERWISE SPECIFIED, ALL DIMENSIONS ARE IN INCHES [MILLIMETERS].
4. WEIGHT OF UNIT IS 457.20 LBS [207.82 KG].
5. CABLE ENTRY FROM REAR SIDE OF UNIT.

THIS DRAWING AND SPECIFICATIONS HEREIN ARE THE PROPERTY OF SCHNEIDER ELECTRIC AND SHALL NOT BE COPIED, REPRODUCED OR USED IN WHOLE OR IN PART, AS THE BASIS FOR THE MANUFACTURE OR SALE OF ITEMS WITHOUT WRITTEN PERMISSION FROM SCHNEIDER ELECTRIC. THIS DRAWING IS BASED UPON LATEST AVAILABLE INFORMATION AND IS SUBJECT TO CHANGE WITHOUT NOTICE.



TITLE: Smart-UPS Online (SRT) w/ TRANSFORMER
SRT6KXLT-5KTF + SRT192BP - TOWER
INPUT: 208VAC, (L1+L2+G), HARDWIRE
UPS OUTPUT: 208/240VAC, (1) HARDWIRE, 3-WIRE (L1+L2+G),
(2) NEMA L6-20R, (1) NEMA L6-30R, (2) NEMA L6-30R
TRANSFORMER OUTPUT: 110/220/230/240VAC, (1) L14-30R, (2) L5-20R, (1) L6-30R, (8) 5-20
MAIN MECHANICAL

PROJECT: STD SUBMITTAL DRAWING SHEET 2 OF 4

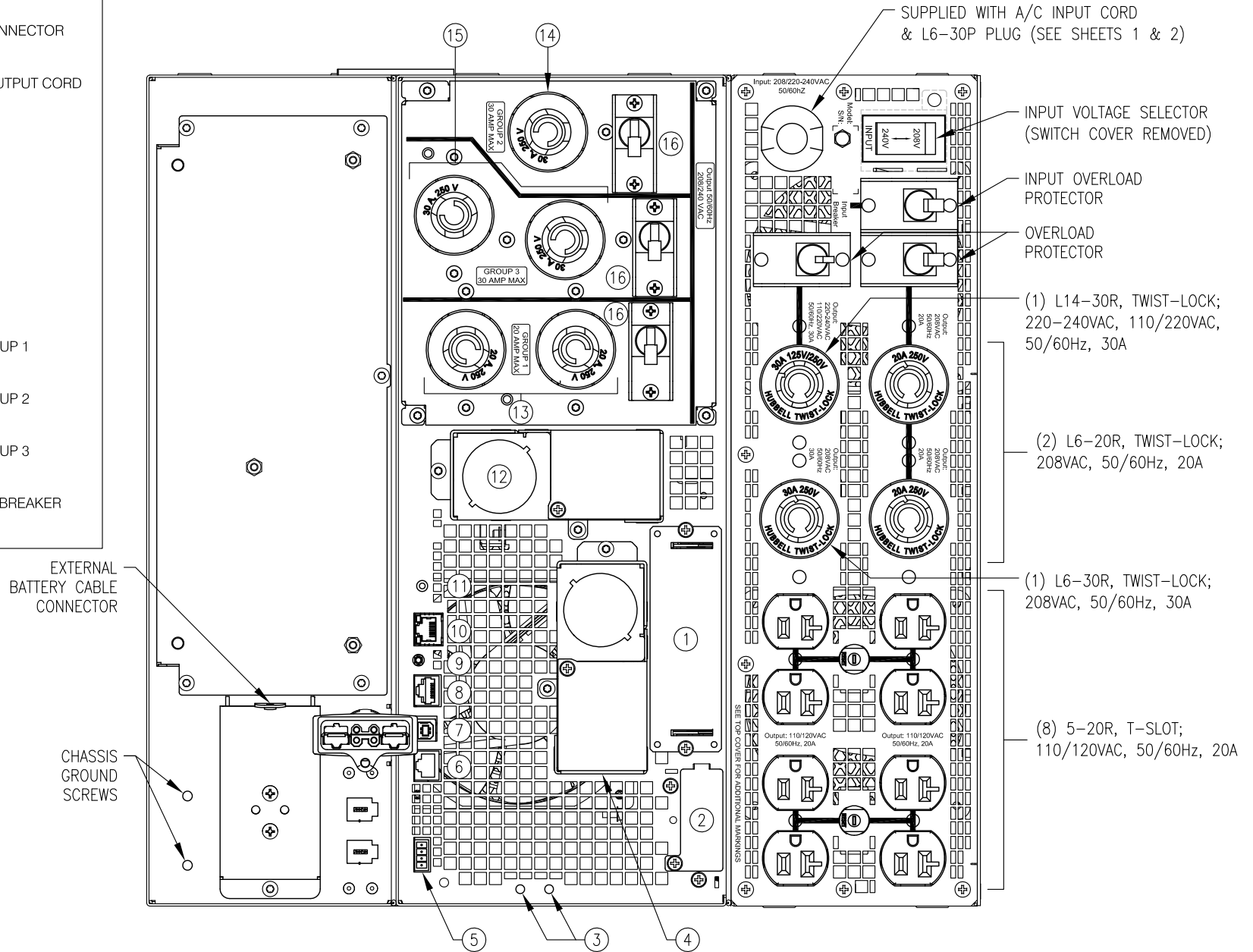
DWG NO: SRT6KXLT-5KTF REV 0

DRAWN BY: S CUNHA 16JUN2015
ENGINEER: E KOTLYAR 16JUN2015
APPROVED BY: K WHITE/J PRECOPIO 16JUN2015

THIRD ANGLE PROJ

SRT6KXLT: (NUMBERING PER OPERATIONS MANUAL)

1. SMART SLOT
2. EXTERNAL BATTERY PACK CONNECTOR
3. CHASSIS GROUND SCREWS
4. 208V, HARDWIRED UPS A/C OUTPUT CORD (PROVIDED BY OTHERS)
5. EPO TERMINAL
6. SERIAL COM
7. USB PORT
8. UNIVERSAL I/O PORT
9. CONSOLE PORT
10. NETWORK PORT
11. RESET BUTTON
12. UPS INPUT POWER CABLE
13. CONTROLLABLE OUTLET GROUP 1 [(2)NEMA L6-20R]
14. CONTROLLABLE OUTLET GROUP 2 [(1)NEMA L6-30R]
15. CONTROLLABLE OUTLET GROUP 3 [(2)NEMA L6-30R]
16. UPS OUTLET GROUP CIRCUIT BREAKER RESET BUTTON OR SWITCH



REAR VIEW

NOTES:

1. INSTALLATION SHALL COMPLY WITH ALL APPLICABLE NATIONAL, STATE AND LOCAL CODES.
2. PLEASE REFER TO PRODUCT DOCUMENTATION FOR FURTHER INFORMATION.

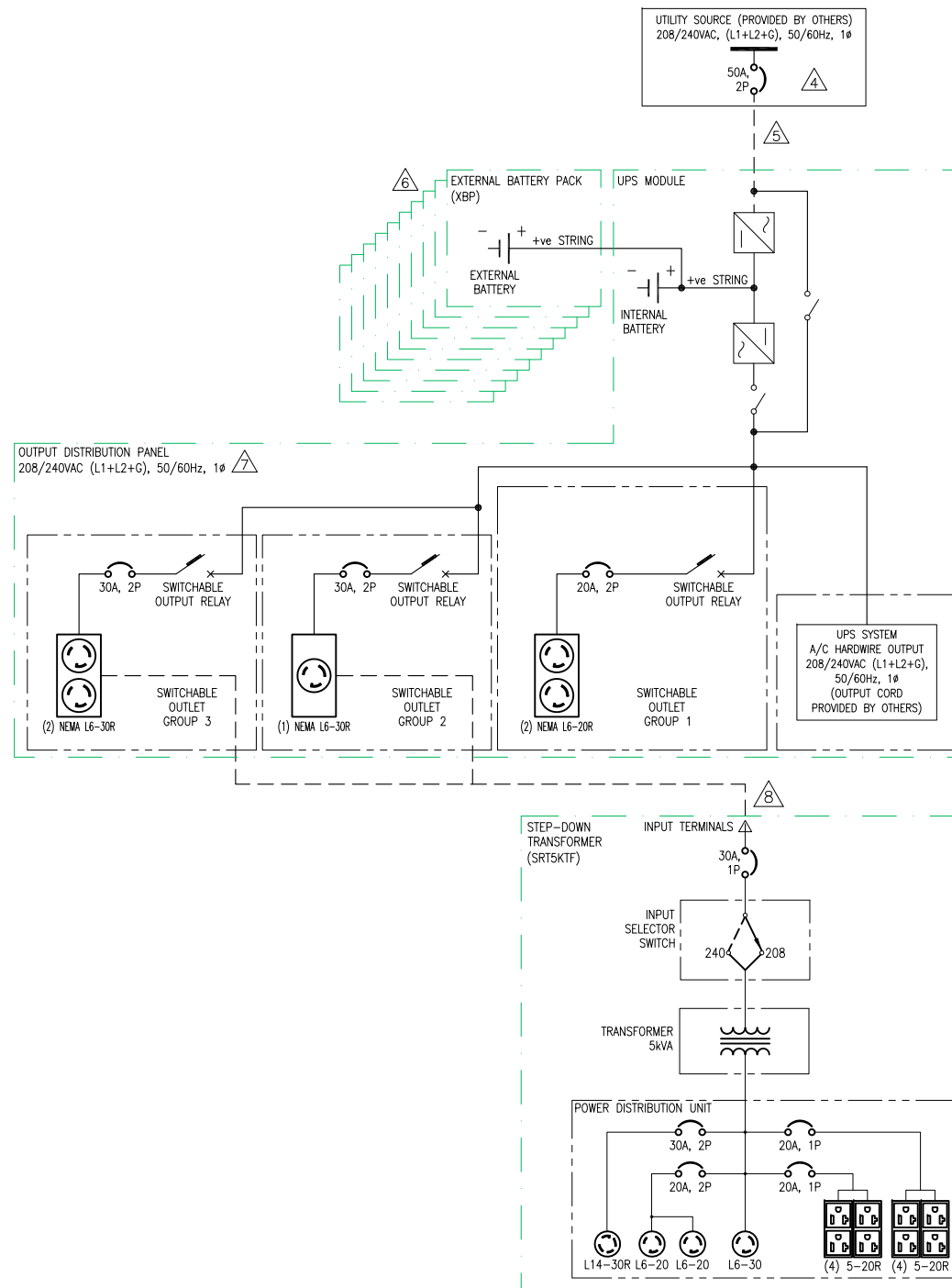
THIS DRAWING AND SPECIFICATIONS HEREIN ARE THE PROPERTY OF SCHNEIDER ELECTRIC AND SHALL NOT BE COPIED, REPRODUCED OR USED IN WHOLE OR IN PART, AS THE BASIS FOR THE MANUFACTURE OR SALE OF ITEMS WITHOUT WRITTEN PERMISSION FROM SCHNEIDER ELECTRIC. THIS DRAWING IS BASED UPON LATEST AVAILABLE INFORMATION AND IS SUBJECT TO CHANGE WITHOUT NOTICE.



TITLE: Smart-UPS Online (SRT) w/ TRANSFORMER
SRT6KXLT-5KTF + SRT192BP - TOWER
INPUT: 208VAC, (L1+L2+G), HARDWIRE
UPS OUTPUT: 208/240VAC, (1) HARDWIRE, 3-WIRE (L1+L2+G),
(2) NEMA L6-30R, (1) NEMA L6-30R, (2) NEMA L6-30R
TRANSFORMER OUTPUT: 110/120/208/220/240VAC, (1) L14-30R, (2) L6-20R, (1) L6-30R, (8) 5-20
REAR VIEW

PROJECT: STD SUBMITTAL DRAWING SHEET 3 OF 4

DWG NO:	SRT6KXLT-5KTF	REV	0
DRAWN BY:	S CUNHA	16JUN2015	THIRD ANGLE PROJ
ENGINEER:	E KOTLYAR	16JUN2015	
APPROVED BY:	K WHITE/J PRECOPIO	16JUN2015	



NOTES:

1. INSTALLATION SHALL COMPLY WITH ALL APPLICABLE NATIONAL, STATE AND LOCAL CODES.
2. PLEASE REFER TO PRODUCT DOCUMENTATION FOR FURTHER INFORMATION.
3. STD SUBMITTAL DRAWING DEPICTS POWER SYSTEM CONNECTIONS AND IS NOT REPRESENTATIVE OF PHYSICAL LAYOUT. PLEASE REFER TO MECHANICAL STD SUBMITTAL DRAWINGS FOR MORE SPECIFIC PHYSICAL DATA.
- △ 4. UTILITY SOURCE MUST BE NOMINAL 208/240VAC, (L1+L2+G), 50/60Hz, 1Ø, PROVIDED BY OTHERS.
- △ 5. DASHED LINES BETWEEN UTILITY SOURCE & THE UNIT (-----) REPRESENT CABLING PROVIDED BY OTHERS.
- △ 6. ADDITIONAL EXTERNAL BATTERY PACKS (UP TO 10), CAN BE CONNECTED TO INCREASE THE RUN TIME FURTHER.
- △ 7. OUTPUT DISTRIBUTION PANEL CONTAINS SWITCHABLE OUTPUT GROUPS. REFER TO INSTALLATION MANUAL FOR DETAILED INSTRUCTIONS.
- △ 8. DASHED LINE BETWEEN UPS AND STEP-DOWN TRANSFORMER (----) REPRESENTS POWER CORD (WITH L6-30P, TWIST-LOCK), PROVIDED BY Schneider Electric. CONNECT TO EITHER OUTLET GROUP 2 OR OUTLET GROUP 3.

THIS DRAWING AND SPECIFICATIONS HEREIN ARE THE PROPERTY OF SCHNEIDER ELECTRIC AND SHALL NOT BE COPIED, REPRODUCED OR USED IN WHOLE OR IN PART, AS THE BASIS FOR THE MANUFACTURE OR SALE OF ITEMS WITHOUT WRITTEN PERMISSION FROM SCHNEIDER ELECTRIC. THIS DRAWING IS BASED UPON LATEST AVAILABLE INFORMATION AND IS SUBJECT TO CHANGE WITHOUT NOTICE.



TITLE: Smart-UPS Online (SRT) w/ TRANSFORMER
SRT6KXLT-5KTF + SRT192BP - TOWER
INPUT: 208VAC, (L1+L2+G), HARDWARE
UPS OUTPUT: 208/240VAC, (1) HARDWARE, 3-WIRE (L1+L2+G),
(2) NEMA L6-20R, (1) NEMA L6-30R, (2) NEMA L6-30R
TRANSFORMER OUTPUT: 110V/220V/230/240VAC, (1) L14-30R, (2) L6-20R, (1) L6-30R, (Ø) 5-20
SYSTEM SINGLE-LINE DIAGRAM

PROJECT: STD SUBMITTAL DRAWING **SHEET** 4 OF 4

DWG NO: SRT6KXLT-5KTF **REV** 0

DRAWN BY: S CUNHA 16JUN2015 **PROJ** ANGLE

ENGINEER: C JAYARAMAN 16JUN2015 **N/A**

APPROVED BY: K WHITE/J PRECOPIO 16JUN2015