

**NOTES:**

1. INSTALLATION SHALL COMPLY WITH ALL APPLICABLE NATIONAL AND LOCAL CODES.
2. SEE PRODUCT DOCUMENTATION FOR FURTHER INFORMATION.
3. FOR ADDITIONAL DETAILS REFER TO DRAWINGS FOR INDIVIDUAL COMPONENTS.

THIS DRAWING AND SPECIFICATIONS HEREIN ARE THE PROPERTY OF SCHNEIDER ELECTRIC AND SHALL NOT BE COPIED, REPRODUCED OR USED IN WHOLE OR IN PART, AS THE BASIS FOR THE MANUFACTURE OR SALE OF ITEMS WITHOUT WRITTEN PERMISSION FROM SCHNEIDER ELECTRIC. THIS DRAWING IS BASED UPON LATEST AVAILABLE INFORMATION AND IS SUBJECT TO CHANGE WITHOUT NOTICE.



TITLE: Smart-UPS Online (SRT) w/ TRANSFORMER  
 SRT5KXLT-5KTF + SRT192BP - TOWER  
 INPUT: 208/240VAC, (1)+L2-G, NEMA L6-30P  
 UPS OUTPUT: 208/240VAC, (2) NEMA L6-20R, (2) NEMA L6-30R  
 TRANSFORMER OUTPUT: 110/120/208/220/240VAC, (1)L14-30R, (2)L6-20R, (1)L6-30R, (1)5-20R  
 ISOMETRIC VIEWS

PROJECT: STD SUBMITTAL DRAWING SHEET 1 OF 4

DWG NO: **SRT5KXLT-5KTF**

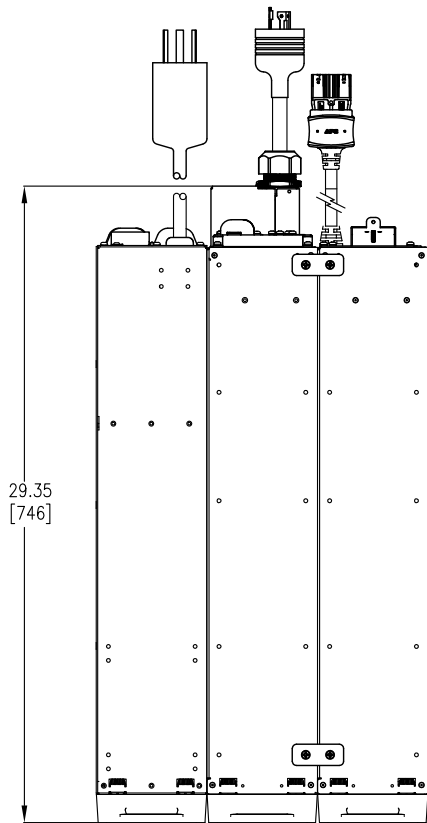
REV **0**

DRAWN BY: S CUNHA 16JUN2015

ENGINEER: E KOTLYAR 16JUN2015

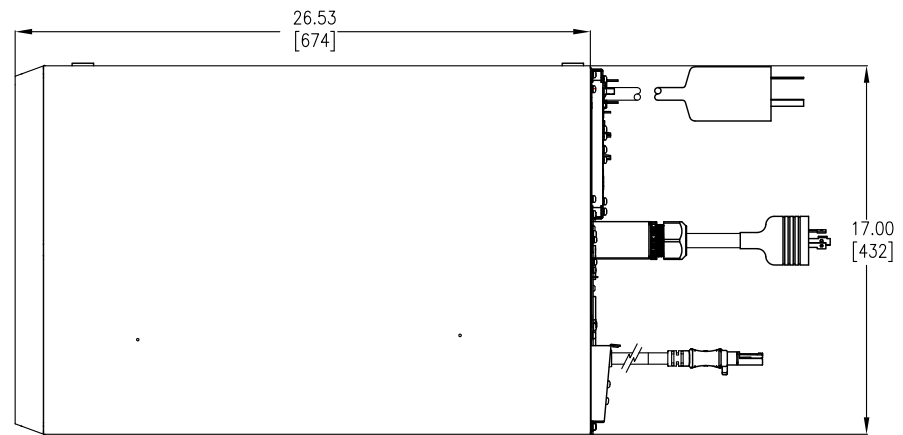
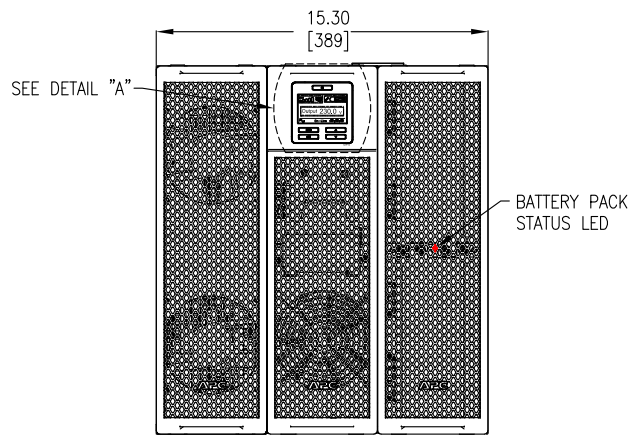
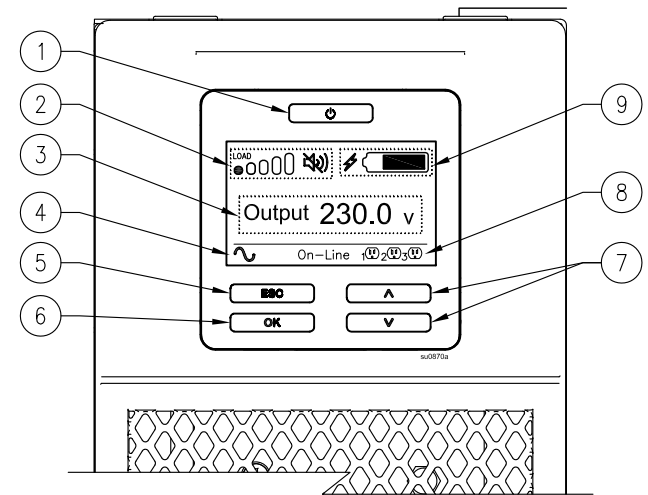
APPROVED BY: K WHITE/J PRECOPIO 16JUN2015

THIRD  
 ANGLE  
 PROJ



#### DISPLAY INTERFACE:

1. POWER "ON/OFF" BUTTON.
2. LOAD ICON, DISABLE/MUTE AUDIBLE ALARM ICON.
3. UPS STATUS INFORMATION.
4. OPERATION MODE ICONS.
5. "ESCAPE" BUTTON.
6. "OK" BUTTON.
7. "UP/DOWN" BUTTONS.
8. CONTROLLABLE OUTLET GROUP STATUS ICONS.
9. BATTERY STATUS ICONS.



#### NOTES:

1. INSTALLATION SHALL COMPLY WITH ALL APPLICABLE NATIONAL, STATE AND LOCAL CODES.
2. PLEASE REFER TO PRODUCT DOCUMENTATION FOR FURTHER INFORMATION.
3. UNLESS OTHERWISE SPECIFIED, ALL DIMENSIONS ARE IN INCHES [MILLIMETERS].
4. WEIGHT OF UNIT IS 445.20 LBS [202.37 KG].
5. CABLE ENTRY FROM REAR SIDE OF UNIT.

THIS DRAWING AND SPECIFICATIONS HEREIN ARE THE PROPERTY OF SCHNEIDER ELECTRIC AND SHALL NOT BE COPIED, REPRODUCED OR USED IN WHOLE OR IN PART, AS THE BASIS FOR THE MANUFACTURE OR SALE OF ITEMS WITHOUT WRITTEN PERMISSION FROM SCHNEIDER ELECTRIC. THIS DRAWING IS BASED UPON LATEST AVAILABLE INFORMATION AND IS SUBJECT TO CHANGE WITHOUT NOTICE.



TITLE: Smart-UPS OnLine (SRT) w/ TRANSFORMER  
SRT5KXLT-5KTF + SRT192BP - TOWER  
INPUT: 208/240VAC, (1)+L2+(G), NEMA L6-30P  
UPS OUTPUT: 208/240VAC, (2) NEMA L6-20R, (2) NEMA L6-30R  
TRANSFORMER OUTPUT: 110/120/208/220/240VAC, (1)L1+30R, (2)L6-20R, (1)L6-30R, (3)5-20R  
MAIN MECHANICAL

PROJECT: STD SUBMITTAL DRAWING SHEET 2 OF 4

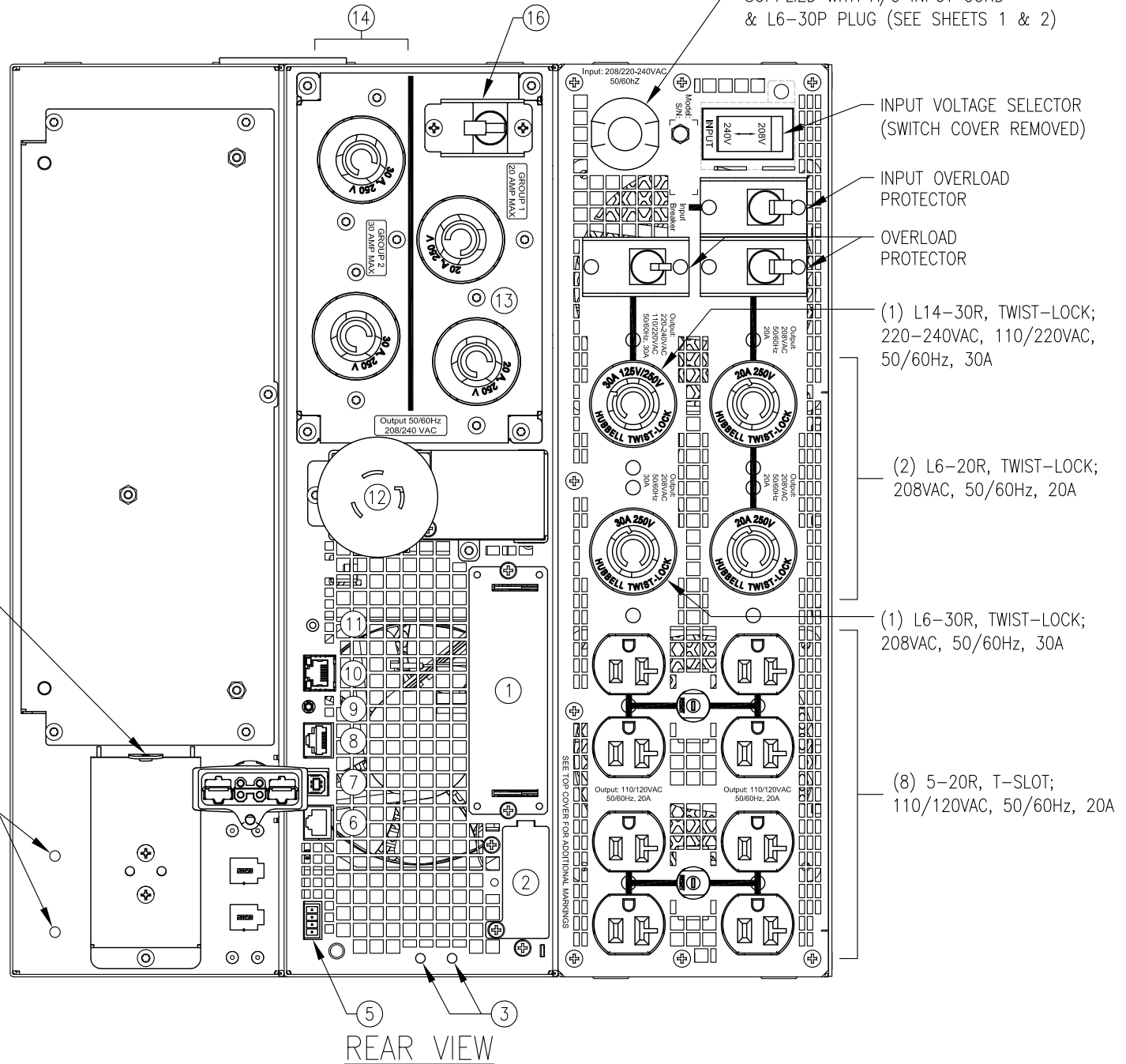
DWG NO:	SRT5KXLT-5KTF		REV	0
DRAWN BY:	S CUNHA	16JUN2015	THIRD	ANGLE
ENGINEER:	E KOTLYAR	16JUN2015	PROJ	
APPROVED BY:	K WHITE/J PRECOPIO	16JUN2015		

**SRT5KXLT: (NUMBERING PER OPERATIONS MANUAL)**

1. SMART SLOT
2. EXTERNAL BATTERY PACK CONNECTOR
3. CHASSIS GROUND SCREWS
5. EPO TERMINAL
6. SERIAL COM
7. USB PORT
8. UNIVERSAL I/O PORT
9. CONSOLE PORT
10. NETWORK PORT
11. RESET BUTTON
12. UPS INPUT POWER CABLE
13. CONTROLLABLE OUTLET GROUP 1  
[(2)NEMA L6-20R]
14. CONTROLLABLE OUTLET GROUP 2  
[(2)NEMA L6-30R]
16. UPS OUTLET GROUP CIRCUIT BREAKER  
RESET BUTTON OR SWITCH

EXTERNAL  
BATTERY CABLE  
CONNECTOR

CHASSIS  
GROUND  
SCREWS



**NOTES:**

1. INSTALLATION SHALL COMPLY WITH ALL APPLICABLE NATIONAL, STATE AND LOCAL CODES.
2. PLEASE REFER TO PRODUCT DOCUMENTATION FOR FURTHER INFORMATION.

THIS DRAWING AND SPECIFICATIONS HEREIN ARE THE PROPERTY OF SCHNEIDER ELECTRIC AND SHALL NOT BE COPIED, REPRODUCED OR USED IN WHOLE OR IN PART, AS THE BASIS FOR THE MANUFACTURE OR SALE OF ITEMS WITHOUT WRITTEN PERMISSION FROM SCHNEIDER ELECTRIC. THIS DRAWING IS BASED UPON LATEST AVAILABLE INFORMATION AND IS SUBJECT TO CHANGE WITHOUT NOTICE.



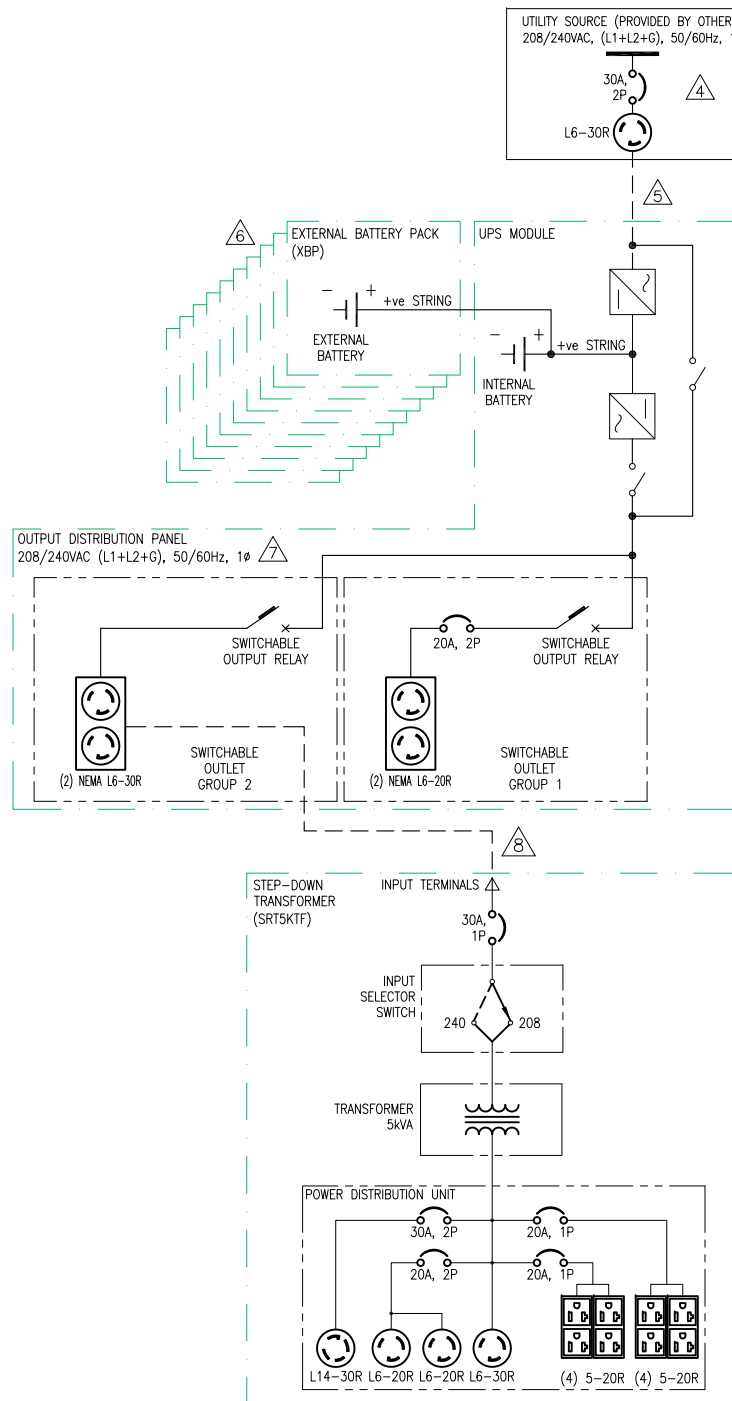
TITLE: Smart-UPS OnLine (SRT) w/ TRANSFORMER  
SRT5KXLT-5KTF + SRT1920R - TOWER  
INPUT: 208/240VAC, (L1+L2+G), NEMA L6-30P  
UPS OUTPUT: 208/240VAC, (2) NEMA L6-20R, (2) NEMA L6-30R  
TRANSFORMER OUTPUT: 110/120/220/240VAC, (1)L14-30R, (2)L6-30R, (1)L6-30R, (8)5-20R  
REAR VIEW

PROJECT: STD SUBMITTAL DRAWING SHEET 3 OF 4

DWG NO: **SRT5KXLT-5KTF**

REV **0**

DRAWN BY:	S CUNHA	16JUN2015	THIRD ANGLE PROJ
ENGINEER:	E KOTLYAR	16JUN2015	
APPROVED BY:	K WHITE/J PRECOPIO	16JUN2015	



**NOTES:**

1. INSTALLATION SHALL COMPLY WITH ALL APPLICABLE NATIONAL, STATE AND LOCAL CODES.
2. PLEASE REFER TO PRODUCT DOCUMENTATION FOR FURTHER INFORMATION.
3. STD SUBMITTAL DRAWING DEPICTS POWER SYSTEM CONNECTIONS AND IS NOT REPRESENTATIVE OF PHYSICAL LAYOUT. PLEASE REFER TO MECHANICAL STD SUBMITTAL DRAWINGS FOR MORE SPECIFIC PHYSICAL DATA.
- △ 4. UTILITY SOURCE MUST BE NOMINAL 208/240VAC, (L1+L2+G), 50/60Hz, 1Ø, PROVIDED BY OTHERS.
- △ 5. DASHED LINE BETWEEN UTILITY SOURCE AND THE UNIT (-----) REPRESENTS THE NEMA L6-30P INPUT CORD SET PROVIDED WITH THE UNIT.
- △ 6. ADDITIONAL EXTERNAL BATTERY PACKS (UP TO 10), CAN BE CONNECTED TO INCREASE THE RUN TIME FURTHER.
- △ 7. OUTPUT DISTRIBUTION PANEL CONTAINS SWITCHABLE OUTPUT GROUPS. REFER TO INSTALLATION MANUAL FOR DETAILED INSTRUCTIONS.
- △ 8. DASHED LINE BETWEEN UPS AND STEP-DOWN TRANSFORMER (----) REPRESENTS POWER CORD (WITH L6-30P, TWIST-LOCK), PROVIDED BY Schneider Electric.

THIS DRAWING AND SPECIFICATIONS HEREIN ARE THE PROPERTY OF SCHNEIDER ELECTRIC AND SHALL NOT BE COPIED, REPRODUCED OR USED IN WHOLE OR IN PART, AS THE BASIS FOR THE MANUFACTURE OR SALE OF ITEMS WITHOUT WRITTEN PERMISSION FROM SCHNEIDER ELECTRIC. THIS DRAWING IS BASED UPON LATEST AVAILABLE INFORMATION AND IS SUBJECT TO CHANGE WITHOUT NOTICE.



**TITLE:** Smart-UPS OnLine (SRT) w/ TRANSFORMER SRT5KXLT-5KTF = SRT192BP - TOWER  
 INPUT: 208/240VAC, (L1+L2+G), NEMA L6-30P  
 UPS OUTPUT: 208/240VAC, (2) NEMA L6-20R, (2) NEMA L6-30R  
 TRANSFORMER OUTPUT: 110/120/208/220/240VAC, (1)L14-30R, (2)L6-20R, (1)L6-30R, (1)5-20R  
 SYSTEM SINGLE-LINE DIAGRAM

PROJECT: STD SUBMITTAL DRAWING SHEET 4 OF 4

**DWG NO:** SRT5KXLT-5KTF

<b>DRAWN BY:</b> S CUNHA	16JUN2015
<b>ENGINEER:</b> C JAYARAMAN	16JUN2015
<b>APPROVED BY:</b> K WHITE/J PRECOPIO	16JUN2015

**REV** 0  
**PROJ**  
**ANGLE**  
**N/A**