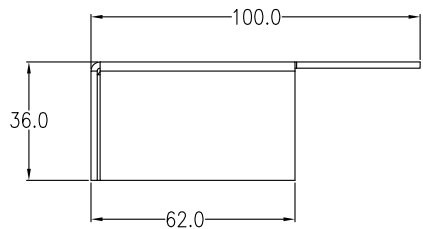
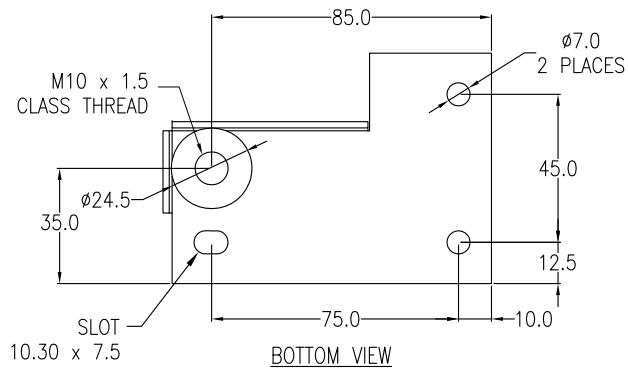


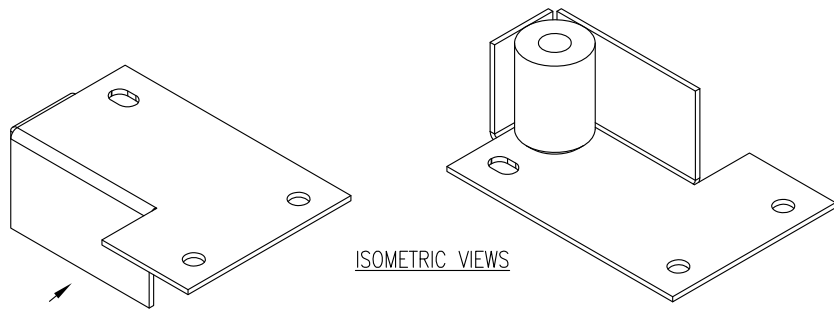
LEFT SIDE VIEW



FRONT VIEW

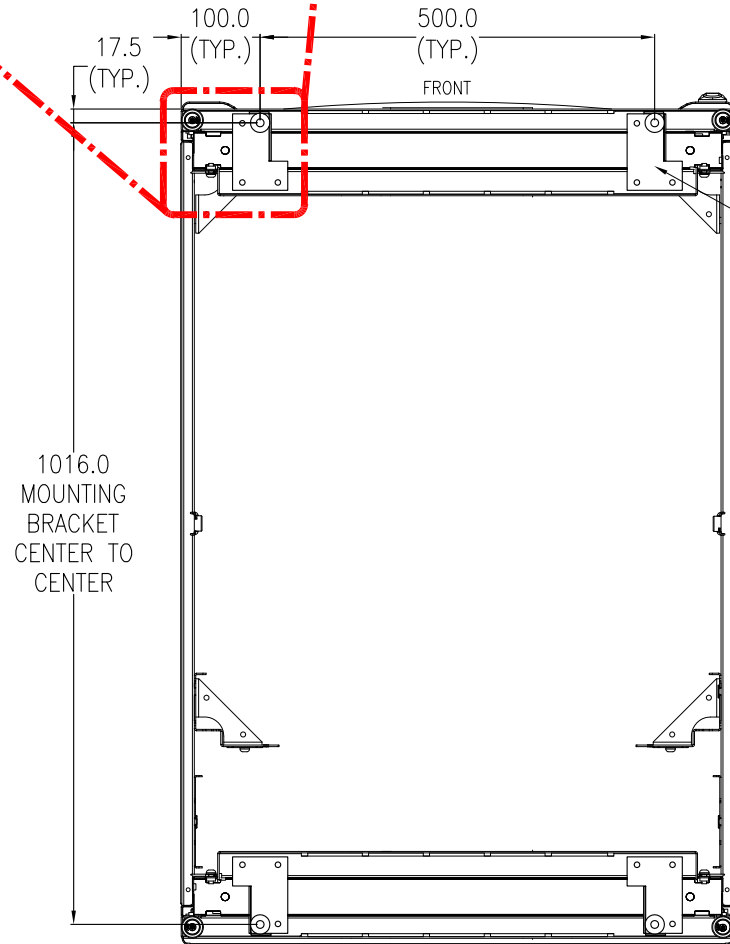
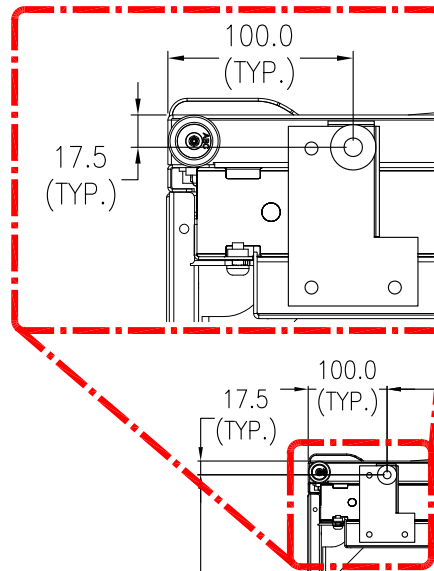


BOTTOM VIEW



ISOMETRIC VIEWS

CHANNEL MOUNTING BRACKET KIT (AR7709)



1016.0
MOUNTING
BRACKET
CENTER TO
CENTER

CHANNEL
MOUNTING
BRACKET KIT,
4 PLACES

BOTTOM VIEW (AR3130)

WITH CHANNEL MOUNTING BRACKET KIT (AR7709)

NOTES:

1. INSTALLATION MUST COMPLY WITH ALL APPLICABLE NATIONAL AND LOCAL CODES.
2. ALL DIMENSIONS ARE MILLIMETERS.
3. PLEASE REFER TO INSTALLATION MANUAL: 990-2912 FOR CHANNEL BRACKET INSTALLATION DETAILS.
- △4. CHANNEL MOUNTING BRACKET KIT (SKU# AR7709) IS OPTIONAL AND HAS TO BE ORDERED SEPARATELY.
5. FOR ADDITIONAL DIMENSIONS FOR THE RACK, PLEASE REFER TO SUBMITTAL DRAWING AR3130.

THIS DRAWING AND SPECIFICATIONS HEREIN ARE THE PROPERTY OF SCHNEIDER ELECTRIC AND SHALL NOT BE COPIED, REPRODUCED OR USED IN WHOLE OR IN PART, AS THE BASIS FOR THE MANUFACTURE OR SALE OF ITEMS WITHOUT WRITTEN PERMISSION FROM SCHNEIDER ELECTRIC. THIS DRAWING IS BASED UPON LATEST AVAILABLE INFORMATION AND IS SUBJECT TO CHANGE WITHOUT NOTICE.



TITLE:	NetShelter SX, 42U AR3130 BOTTOM VIEW 700mm WIDE x 1070mm DEEP w/ AR7709 CHANNEL MOUNTING BRACKET KIT		DWG NO:	AR3130-AR7709	REV.	0
PROJECT:	SUBMITTAL DRAWING	SHEET:	1 OF 1	DRAWN:	S CUNHA	10FEB2015
				ENGINEER:	R JIN	10FEB2015
				APPROVED:	J SUN	10FEB2015
						THIRD ANGLE PROJ