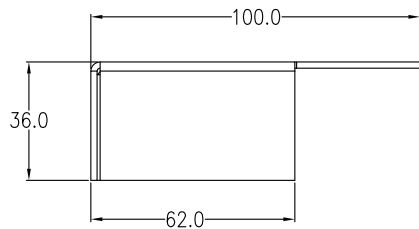
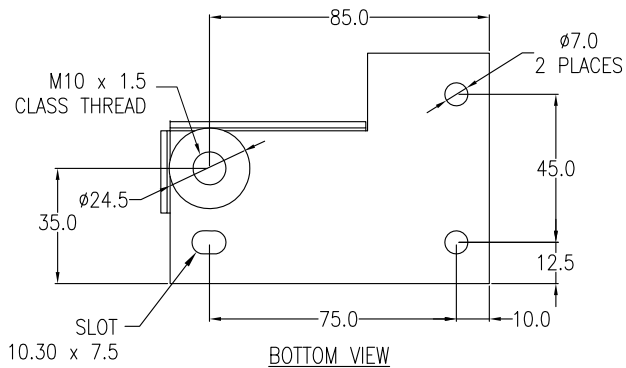
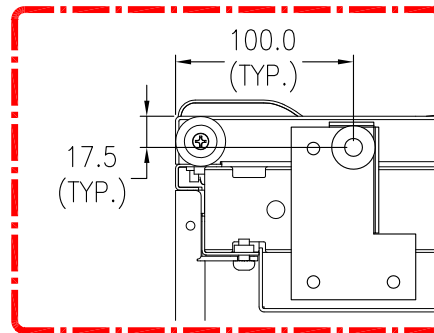


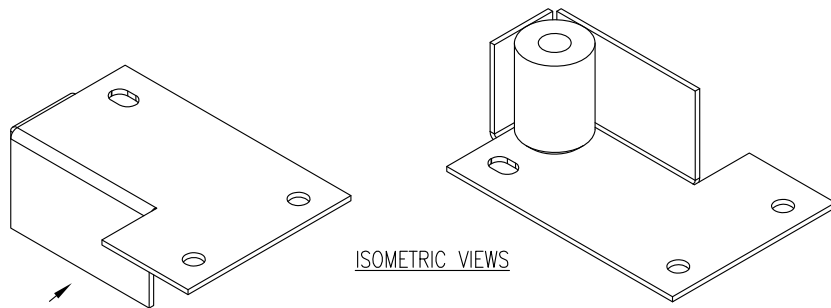
LEFT SIDE VIEW



FRONT VIEW

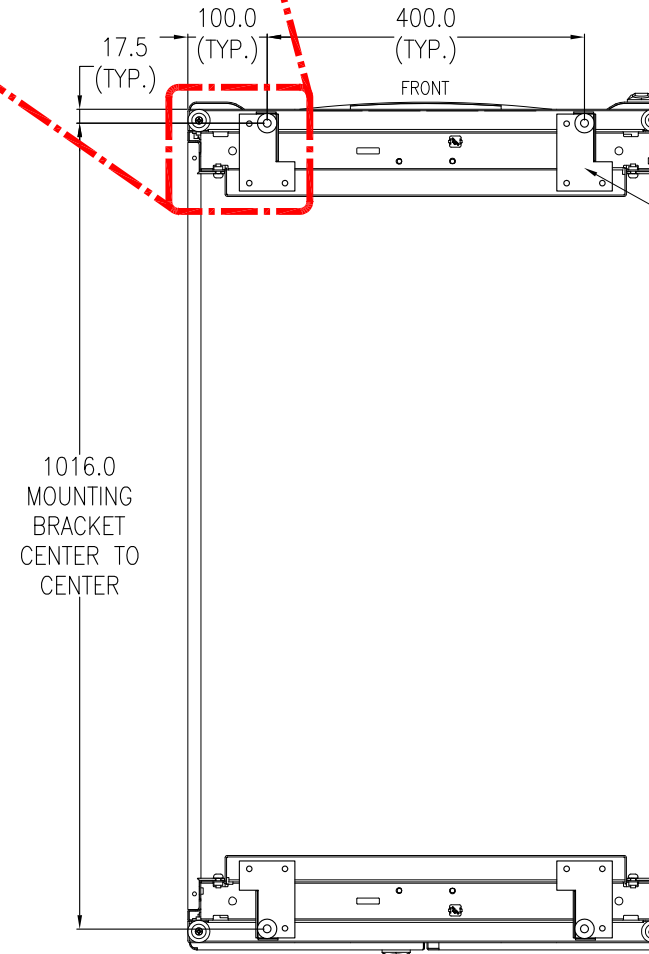


BOTTOM VIEW



ISOMETRIC VIEWS

CHANNEL MOUNTING BRACKET KIT (AR7709)



CHANNEL MOUNTING BRACKET KIT, 4 PLACES

BOTTOM VIEW (AR3107)
WITH CHANNEL MOUNTING BRACKET KIT (AR7709)

NOTES:

1. INSTALLATION MUST COMPLY WITH ALL APPLICABLE NATIONAL AND LOCAL CODES.
2. ALL DIMENSIONS ARE MILLIMETERS.
3. PLEASE REFER TO INSTALLATION MANUAL: 990-2912 FOR CHANNEL BRACKET INSTALLATION DETAILS.
- △4. CHANNEL MOUNTING BRACKET KIT (SKU# AR7709) IS OPTIONAL AND HAS TO BE ORDERED SEPARATELY.
5. FOR ADDITIONAL DIMENSIONS FOR THE RACK, PLEASE REFER TO SUBMITTAL DRAWING AR3107.

THIS DRAWING AND SPECIFICATIONS HEREIN ARE THE PROPERTY OF SCHNEIDER ELECTRIC AND SHALL NOT BE COPIED, REPRODUCED OR USED IN WHOLE OR IN PART, AS THE BASIS FOR THE MANUFACTURE OR SALE OF ITEMS WITHOUT WRITTEN PERMISSION FROM SCHNEIDER ELECTRIC. THIS DRAWING IS BASED UPON LATEST AVAILABLE INFORMATION AND IS SUBJECT TO CHANGE WITHOUT NOTICE.



TITLE:
NetShelter SX, 48U
AR3107 BOTTOM VIEW
600mm WIDE x 1070mm DEEP
w/ AR7709 CHANNEL MOUNTING BRACKET KIT

PROJECT: SUBMITTAL DRAWING SHEET: 1 OF 1

DWG NO:	AR3107-AR7709		REV.	0
DRAWN:	S CUNHA	10FEB2015	THIRD ANGLE PROJ	
ENGINEER:	R JIN	10FEB2015		
APPROVED:	J SUN	10FEB2015		