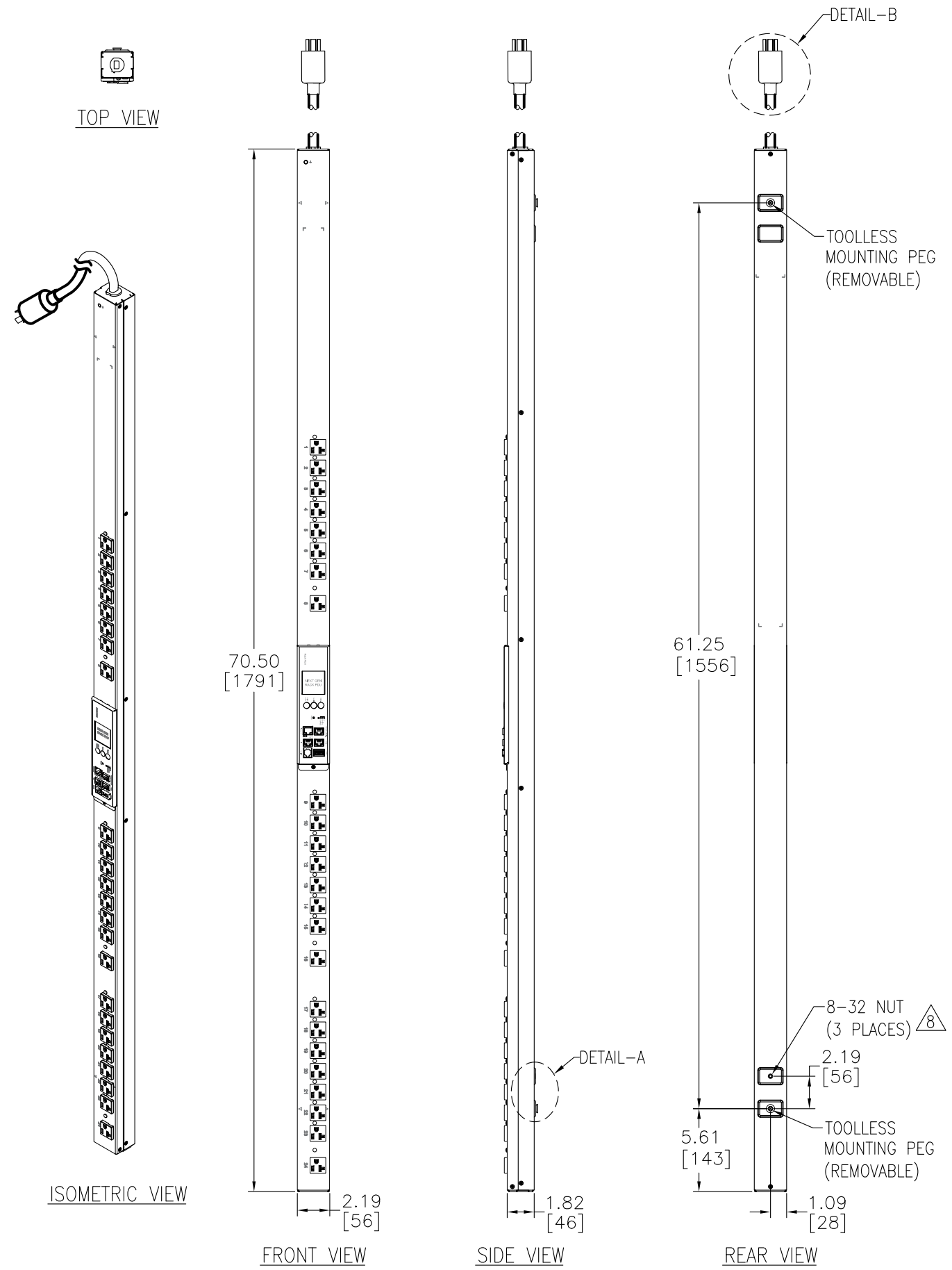


- NOTES:**
1. INSTALLATION SHALL COMPLY WITH ALL APPLICABLE NATIONAL, STATE AND LOCAL CODES.
  2. PLEASE REFER TO PRODUCT DOCUMENTATION FOR FURTHER INFORMATION.
  3. UNLESS OTHERWISE SPECIFIED, ALL DIMENSIONS ARE IN INCHES [MILLIMETERS].
  4. NET WEIGHT OF UNIT IS 14.34LBS [6.52KG].
  5. LENGTH OF THE CORD IS 120.00IN [3050MM].
  6. UNIVERSAL MOUNTING BRACKET IS AN ALTERNATIVE MOUNTING METHOD TO THE TOOLLESS MOUNT FOR 3RD PARTY ENCLOSURES. BRACKET IS PROVIDED WITH THE UNIT. DETAILED INSTALLATION INSTRUCTIONS CAN BE FOUND IN THE PROVIDED MANUAL.
  7. BRACKET KITS TO MOUNT TO SPECIFIC 3RD PARTY ENCLOSURES ARE AVAILABLE AS OPTIONS.
  - △8. REFER TO WARNING LABEL ON REAR OF UNIT FOR SCREW MOUNTING.

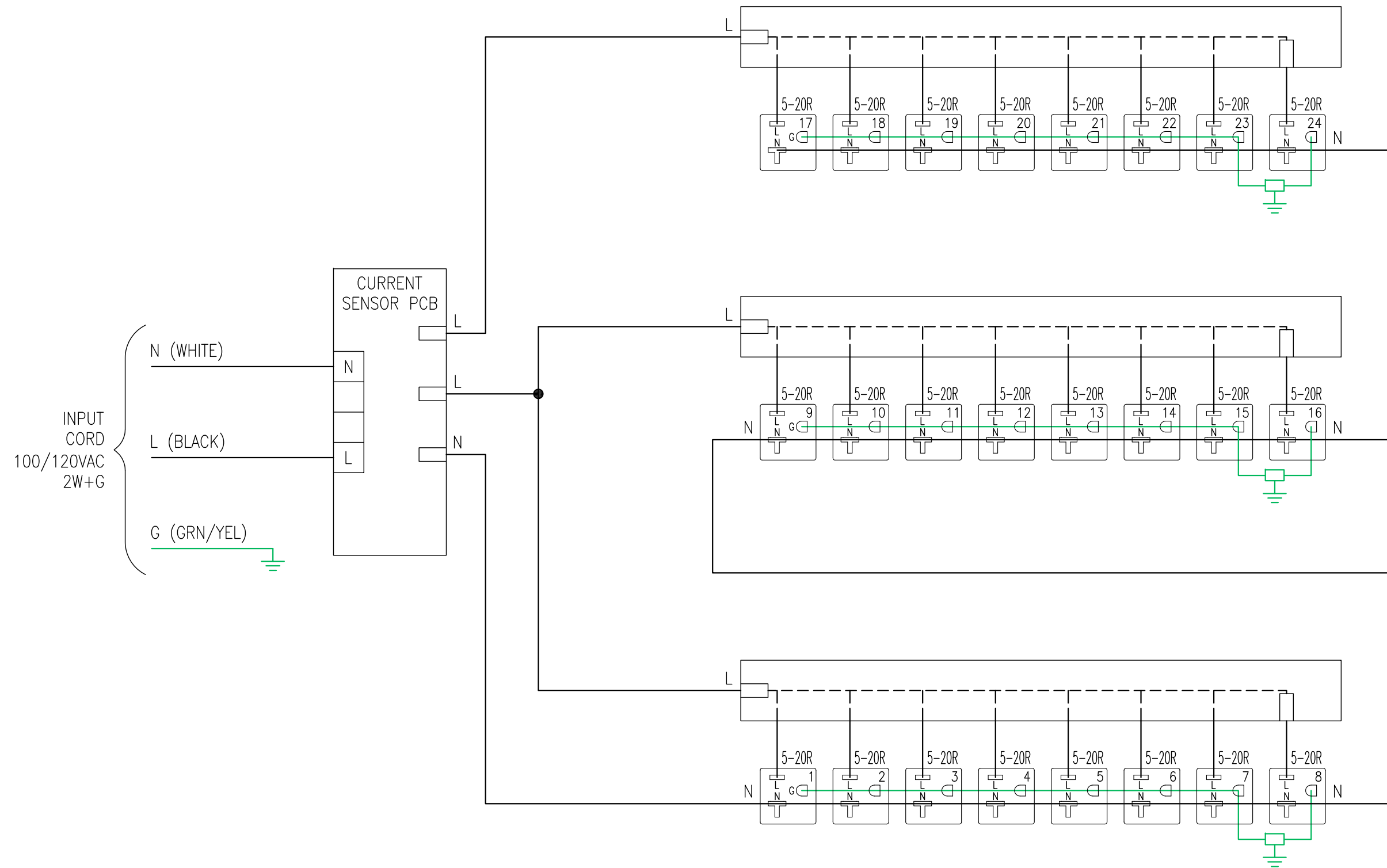


THIS DRAWING AND SPECIFICATIONS HEREIN ARE THE PROPERTY OF SCHNEIDER ELECTRIC AND SHALL NOT BE COPIED, REPRODUCED OR USED IN WHOLE OR IN PART, AS THE BASIS FOR THE MANUFACTURE OR SALE OF ITEMS WITHOUT WRITTEN PERMISSION FROM SCHNEIDER ELECTRIC. THIS DRAWING IS BASED UPON LATEST AVAILABLE INFORMATION AND IS SUBJECT TO CHANGE WITHOUT NOTICE.



TITLE: RACK PDU 2G, SWITCHED ZERO U, 20A, 100-120V INPUT: NEMA L5-20P OUTPUT: (24)NEMA 5-20R MAIN MECHANICAL  
PROJECT: STD SUBMITTAL DRAWING SHEET 1 OF 2

DWG NO: **AP8930** REV 0  
DRAWN BY: S CUNHA 02-DEC-14  
ENGINEER: M FIACCO 02-DEC-14  
APPROVED BY: B DUNCAN 02-DEC-14  
THIRD ANGLE PROJ



**NOTES:**

1. INSTALLATION SHALL COMPLY WITH ALL APPLICABLE NATIONAL, STATE AND LOCAL CODES.
2. PLEASE REFER TO PRODUCT DOCUMENTATION FOR FURTHER INFORMATION.
3. DRAWING DEPICTS POWER SYSTEM CONNECTIONS AND IS NOT REPRESENTATIVE OF PHYSICAL LAYOUT. PLEASE REFER TO MECHANICAL DRAWINGS FOR MORE SPECIFIC PHYSICAL DATA.

THIS DRAWING AND SPECIFICATIONS HEREIN ARE THE PROPERTY OF SCHNEIDER ELECTRIC AND SHALL NOT BE COPIED, REPRODUCED OR USED IN WHOLE OR IN PART, AS THE BASIS FOR THE MANUFACTURE OR SALE OF ITEMS WITHOUT WRITTEN PERMISSION FROM SCHNEIDER ELECTRIC. THIS DRAWING IS BASED UPON LATEST AVAILABLE INFORMATION AND IS SUBJECT TO CHANGE WITHOUT NOTICE.



TITLE: RACK PDU 2G, SWITCHED ZERO U, 20A, 100-120V INPUT: NEMA L5-20P OUTPUT: (24)NEMA 5-20R ELECTRICAL SCHEMATIC

PROJECT: STD SUBMITTAL DRAWING SHEET 2 OF 2

DWG NO: **AP8930**

DRAWN BY:	S CUNHA	02-DEC-14
ENGINEER:	M FIACCO	02-DEC-14
APPROVED BY:	B DUNCAN	02-DEC-14

REV: **0**

PROJ ANGLE	N/A
------------	-----