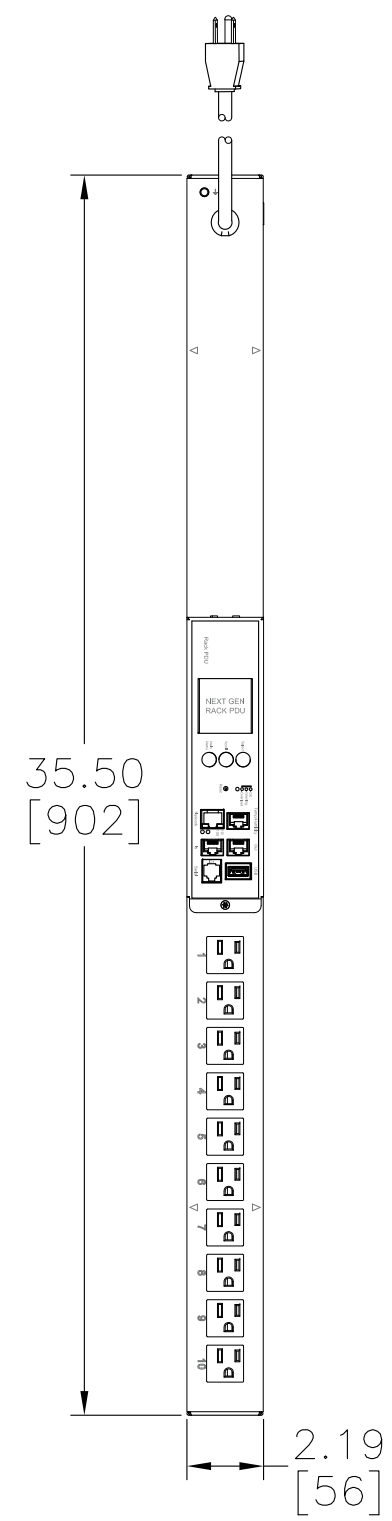
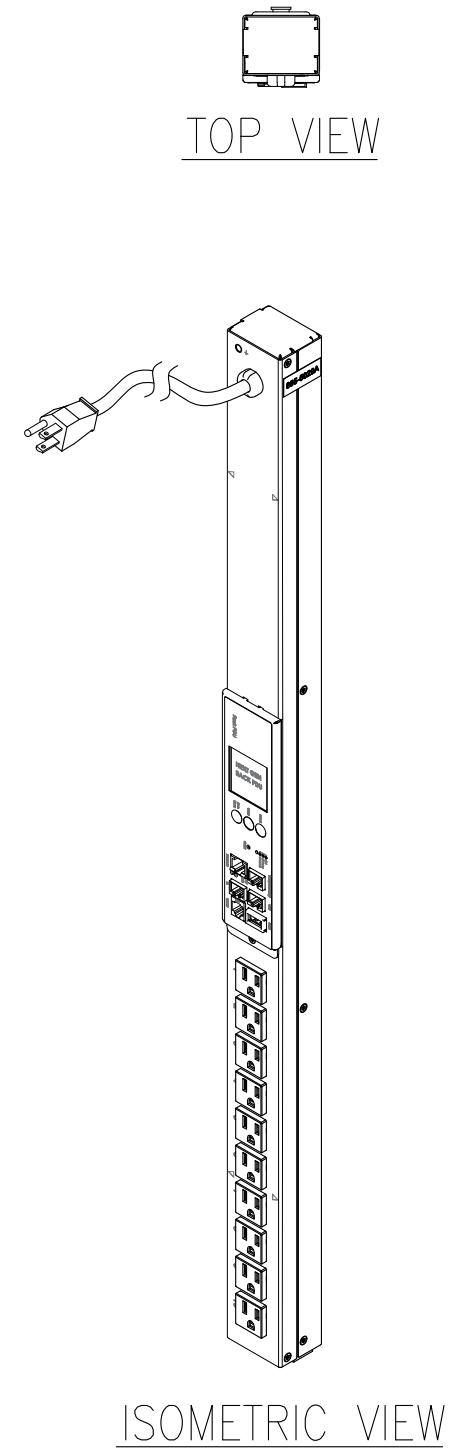
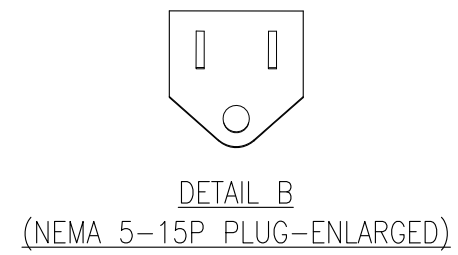
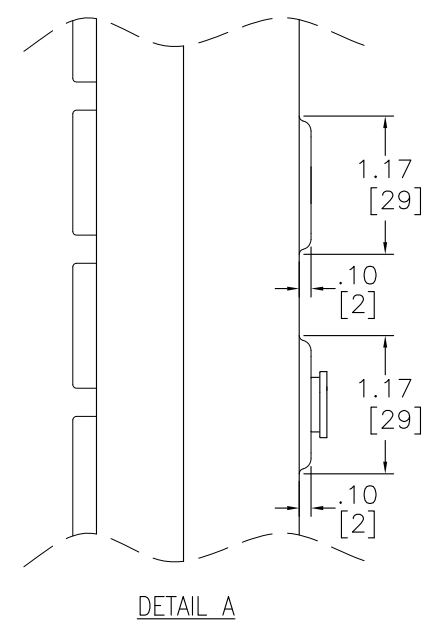
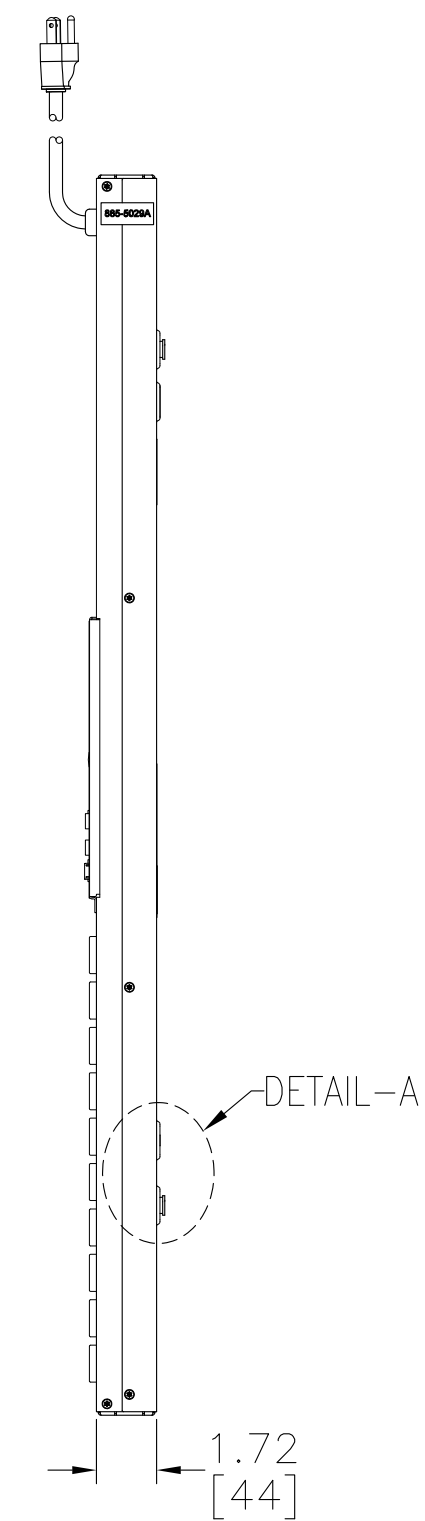


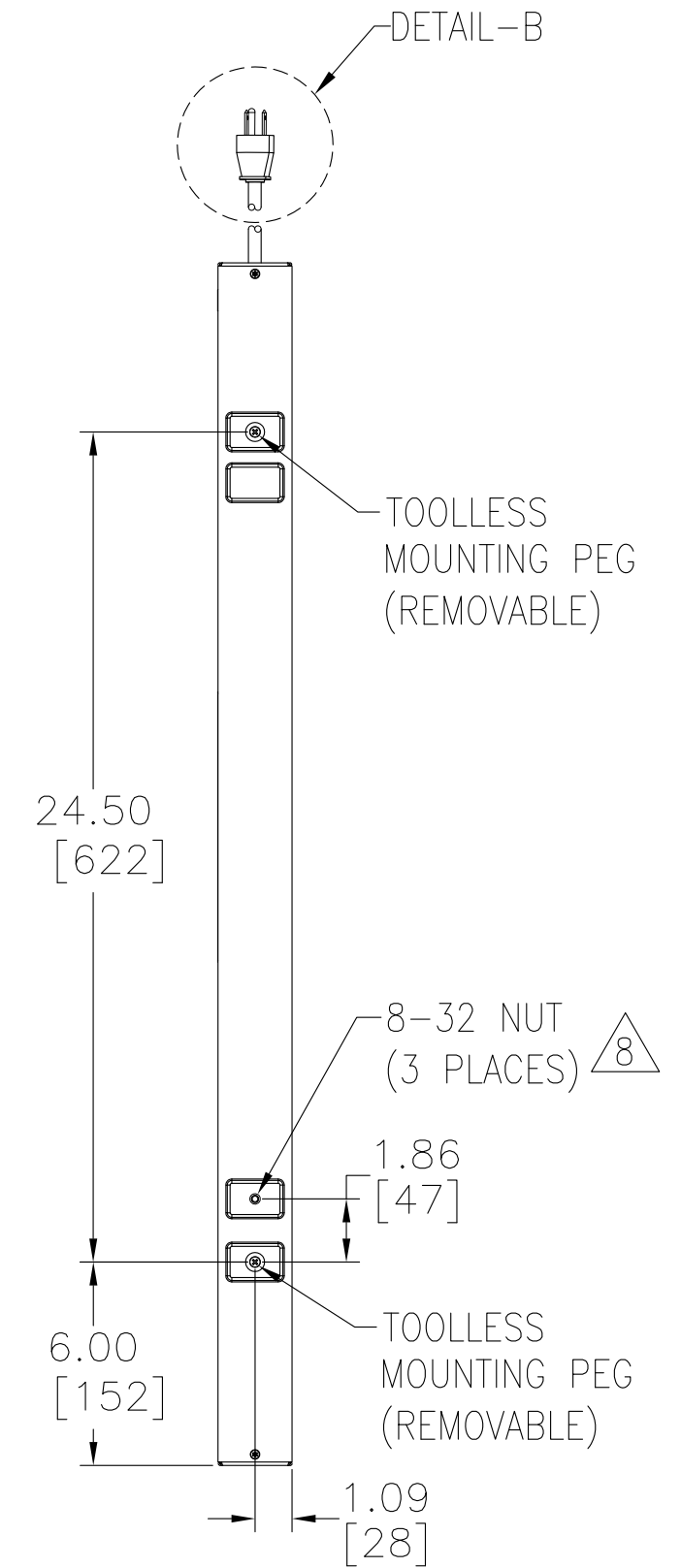
TOP VIEW



FRONT VIEW



SIDE VIEW



REAR VIEW

NOTES:

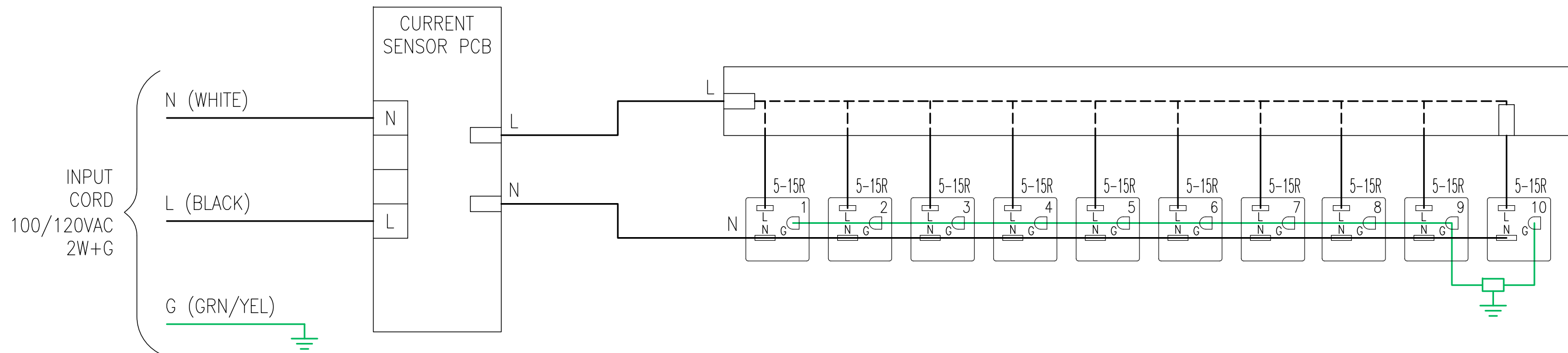
1. INSTALLATION SHALL COMPLY WITH ALL APPLICABLE NATIONAL, STATE AND LOCAL CODES.
2. PLEASE REFER TO PRODUCT DOCUMENTATION FOR FURTHER INFORMATION.
3. UNLESS OTHERWISE SPECIFIED, ALL DIMENSIONS ARE IN INCHES [MILLIMETERS].
4. NET WEIGHT OF UNIT IS 8.98LBS [4.08kg].
5. LENGTH OF THE CORD IS 120.00IN [3050MM].
6. UNIVERSAL MOUNTING BRACKET IS AN ALTERNATIVE MOUNTING METHOD TO THE TOOLLESS MOUNT FOR 3RD PARTY ENCLOSURES. BRACKET IS PROVIDED WITH THE UNIT. DETAILED INSTALLATION INSTRUCTIONS CAN BE FOUND IN THE PROVIDED MANUAL.
7. BRACKET KITS TO MOUNT TO SPECIFIC 3RD PARTY ENCLOSURES ARE AVAILABLE AS OPTIONS.
- △ 8. REFER TO WARNING LABEL ON REAR OF UNIT FOR SCREW MOUNTING.

THIS DRAWING AND SPECIFICATIONS HEREIN ARE THE PROPERTY OF SCHNEIDER ELECTRIC AND SHALL NOT BE COPIED, REPRODUCED OR USED IN WHOLE OR IN PART, AS THE BASIS FOR THE MANUFACTURE OR SALE OF ITEMS WITHOUT WRITTEN PERMISSION FROM SCHNEIDER ELECTRIC. THIS DRAWING IS BASED UPON LATEST AVAILABLE INFORMATION AND IS SUBJECT TO CHANGE WITHOUT NOTICE.



TITLE: RACK PDU 2G, METERED ZERO U, 15A, 100/120V INPUT: NEMA 5-15P OUTPUT: (10)NEMA 5-15R MAIN MECHANICAL
 PROJECT: STD SUBMITTAL DRAWING SHEET 1 OF 2

DWG NO:	AP8831		REV	0
DRAWN BY:	S CUNHA	31-OCT-14	THIRD ANGLE PROJ	
ENGINEER:	M FIACCO/L KLEPAL	31-OCT-14		
APPROVED BY:	B DUNCAN/J SUN	31-OCT-14		



NOTES:

1. INSTALLATION SHALL COMPLY WITH ALL APPLICABLE NATIONAL, STATE AND LOCAL CODES.
2. PLEASE REFER TO PRODUCT DOCUMENTATION FOR FURTHER INFORMATION.
3. DRAWING DEPICTS POWER SYSTEM CONNECTIONS AND IS NOT REPRESENTATIVE OF PHYSICAL LAYOUT. PLEASE REFER TO MECHANICAL DRAWINGS FOR MORE SPECIFIC PHYSICAL DATA.

THIS DRAWING AND SPECIFICATIONS HEREIN ARE THE PROPERTY OF SCHNEIDER ELECTRIC AND SHALL NOT BE COPIED, REPRODUCED OR USED IN WHOLE OR IN PART, AS THE BASIS FOR THE MANUFACTURE OR SALE OF ITEMS WITHOUT WRITTEN PERMISSION FROM SCHNEIDER ELECTRIC. THIS DRAWING IS BASED UPON LATEST AVAILABLE INFORMATION AND IS SUBJECT TO CHANGE WITHOUT NOTICE.



TITLE: RACK PDU 2G, METERED
 ZERO U, 15A, 100/120V
 INPUT: NEMA 5-15P
 OUTPUT: (10)NEMA 5-15R
 ELECTRICAL SCHEMATIC

DWG NO: **AP8831**
 DRAWN BY: S CUNHA 31-OCT-14
 ENGINEER: M FIACCO/L KLEPAL 31-OCT-14
 APPROVED BY: B DUNCAN/J SUN 31-OCT-14

REV: **0**
 PROJ: ANGLE
 N/A