

NOTES:

1. INSTALLATION SHALL COMPLY WITH ALL APPLICABLE NATIONAL AND LOCAL CODES.
2. SEE PRODUCT DOCUMENTATION FOR FURTHER INFORMATION.

THIS DRAWING AND SPECIFICATIONS HEREIN ARE THE PROPERTY OF SCHNEIDER ELECTRIC AND SHALL NOT BE COPIED, REPRODUCED OR USED IN WHOLE OR IN PART, AS THE BASIS FOR THE MANUFACTURE OR SALE OF ITEMS WITHOUT WRITTEN PERMISSION FROM SCHNEIDER ELECTRIC. THIS DRAWING IS BASED UPON LATEST AVAILABLE INFORMATION AND IS SUBJECT TO CHANGE WITHOUT NOTICE.



TITLE: Smart-UPS On-Line (SRT)
 SRT10KXLT + SRT192BP2 - TOWER
 INPUT: 208/240V, 3W (L1+L2+G), HARDWIRE
 OUTPUT: 208/240V, (1) HARDWIRE, 3-WIRE (L1+L2+G),
 (4) NEMA L6-20R, (2) NEMA L6-30R
 UPS ISOMETRIC VIEWS

PROJECT: STD SUBMITTAL DRAWING SHEET 1 of 11

DWG NO: SRT10KXLT+SRT192BP2

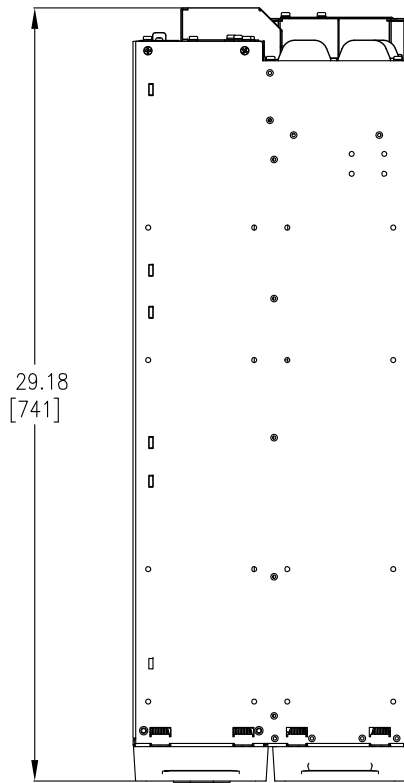
DRAWN BY: S CUNHA 08-OCT-14

ENGINEER: C KUMARSWAMY 08-OCT-14

APPROVED BY: M BEG 08-OCT-14

REV 0

THIRD ANGLE PROJ

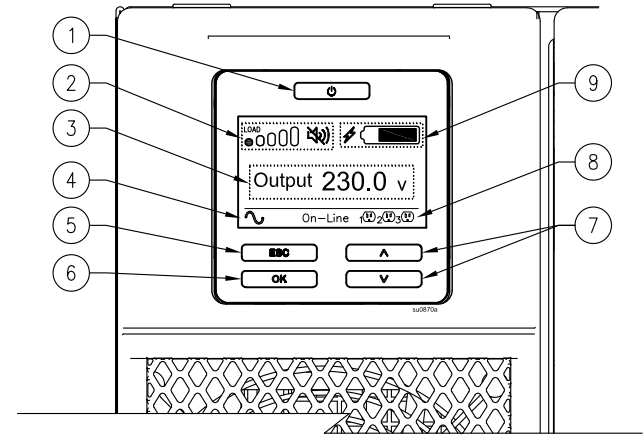


29.18
[741]

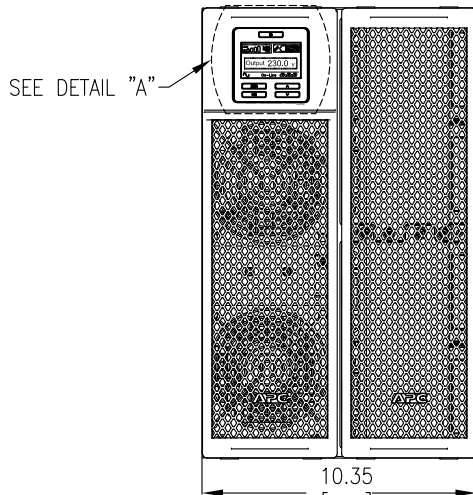
TOP VIEW

DISPLAY INTERFACE:

1. POWER "ON/OFF" BUTTON.
2. LOAD ICON, DISABLE/MUTE AUDIBLE ALARM ICON.
3. UPS STATUS INFORMATION.
4. OPERATION MODE ICONS.
5. "ESCAPE" BUTTON.
6. "OK" BUTTON.
7. "UP/DOWN" BUTTONS.
8. CONTROLLABLE OUTLET GROUP STATUS ICONS.
9. BATTERY STATUS ICONS.

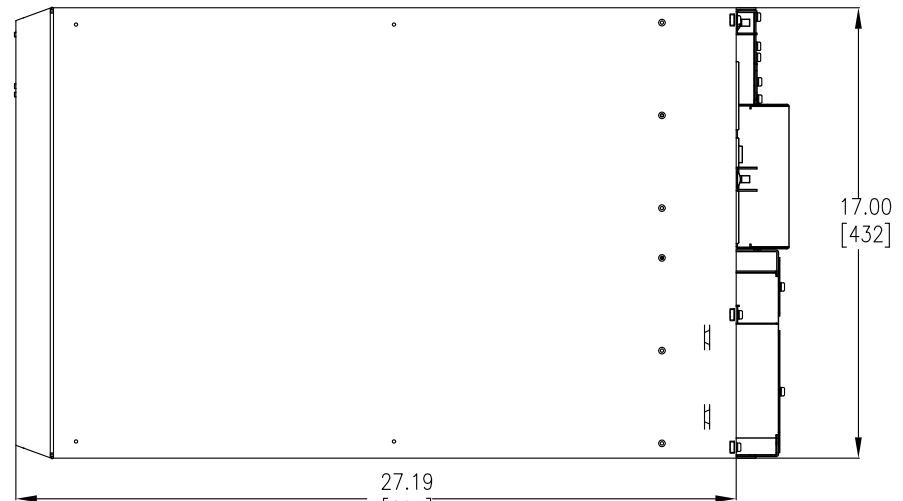


DETAIL "A" - ENLARGED VIEW



SEE DETAIL "A"

10.35
[263]
FRONT VIEW



27.19
[691]
SIDE VIEW

NOTES:

1. INSTALLATION SHALL COMPLY WITH ALL APPLICABLE NATIONAL, STATE AND LOCAL CODES.
2. PLEASE REFER TO PRODUCT DOCUMENTATION FOR FURTHER INFORMATION.
3. UNLESS OTHERWISE SPECIFIED, ALL DIMENSIONS ARE IN INCHES [MILLIMETERS].
4. WEIGHT OF UNIT IS 246.00 LBS [111.82 KG].
5. CABLE ENTRY FROM REAR SIDE OF UNIT.

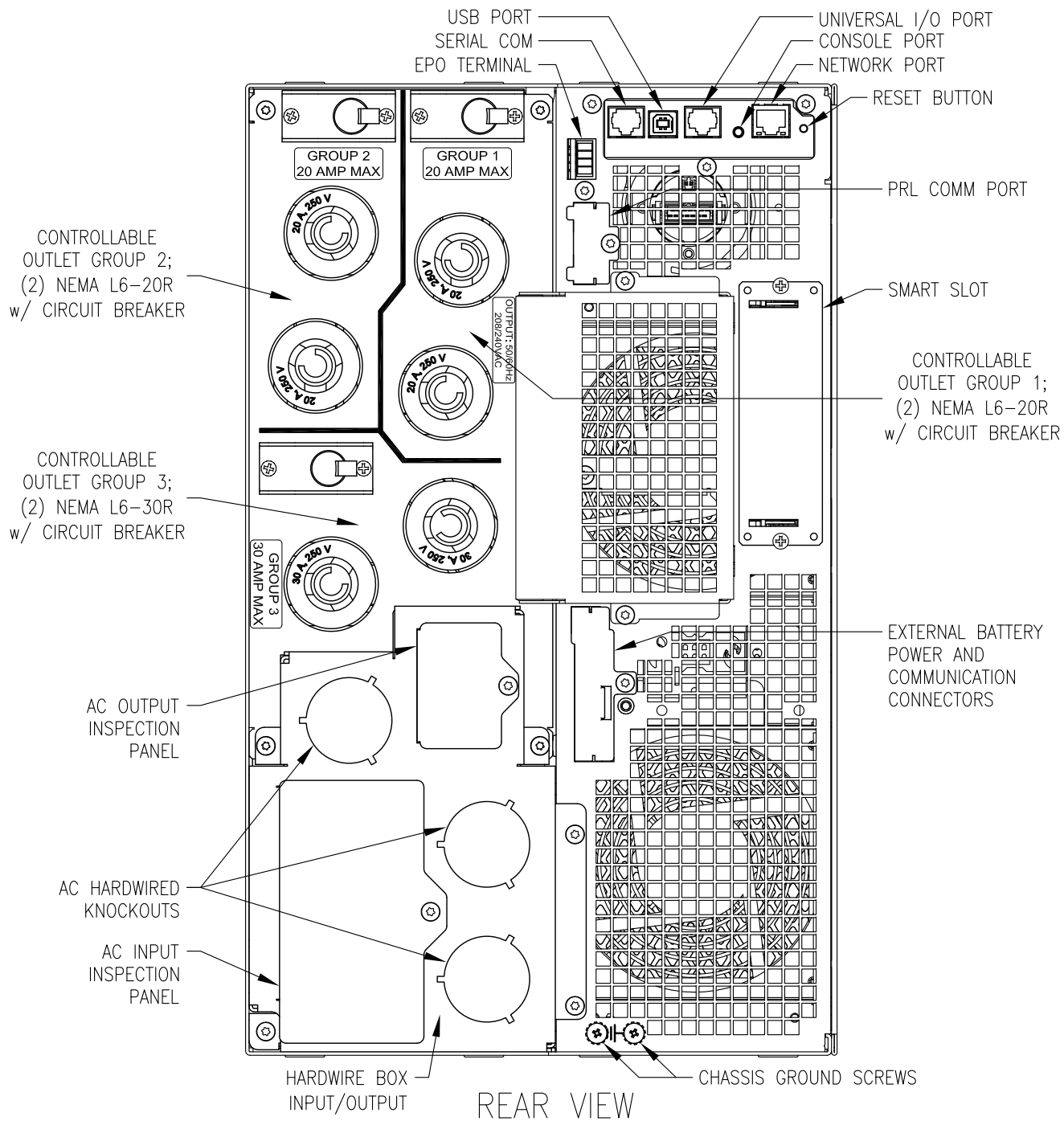
THIS DRAWING AND SPECIFICATIONS HEREIN ARE THE PROPERTY OF SCHNEIDER ELECTRIC AND SHALL NOT BE COPIED, REPRODUCED OR USED IN WHOLE OR IN PART, AS THE BASIS FOR THE MANUFACTURE OR SALE OF ITEMS WITHOUT WRITTEN PERMISSION FROM SCHNEIDER ELECTRIC. THIS DRAWING IS BASED UPON LATEST AVAILABLE INFORMATION AND IS SUBJECT TO CHANGE WITHOUT NOTICE.



TITLE: Smart-UPS On-Line (SRT)
SRT10KXLT + SRT192BP2 - TOWER
INPUT: 208/240V, 3W (L1+L2+G), HARDWIRE
OUTPUT: 208/240V, (1) HARDWIRE, 3-WIRE (L1+L2+G),
(4) NEMA L6-20R, (2) NEMA L6-30R
UPS MAIN MECHANICAL

PROJECT: STD SUBMITTAL DRAWING SHEET 2 of 11

DWG NO: SRT10KXLT+SRT192BP2	REV 0
DRAWN BY: S CUNHA	08-OCT-14
ENGINEER: C KUMARSWAMY	08-OCT-14
APPROVED BY: M BEG	08-OCT-14
	THIRD ANGLE PROJ



REAR VIEW

NOTES:

1. INSTALLATION SHALL COMPLY WITH ALL APPLICABLE NATIONAL, STATE AND LOCAL CODES.
2. PLEASE REFER TO PRODUCT DOCUMENTATION FOR FURTHER INFORMATION.

THIS DRAWING AND SPECIFICATIONS HEREIN ARE THE PROPERTY OF SCHNEIDER ELECTRIC AND SHALL NOT BE COPIED, REPRODUCED OR USED IN WHOLE OR IN PART, AS THE BASIS FOR THE MANUFACTURE OR SALE OF ITEMS WITHOUT WRITTEN PERMISSION FROM SCHNEIDER ELECTRIC. THIS DRAWING IS BASED UPON LATEST AVAILABLE INFORMATION AND IS SUBJECT TO CHANGE WITHOUT NOTICE.



TITLE: Smart-UPS On-Line (SRT)
 SRT10KXLT + SRT192BP2 - TOWER
 INPUT: 208/240V, 3W (L1+L2+G), HARDWIRE
 OUTPUT: 208/240V, (1) HARDWIRE, 3-WIRE (L1+L2+G),
 (4) NEMA L6-20R, (2) NEMA L6-30R
 UPS REAR VIEW

PROJECT: STD SUBMITTAL DRAWING SHEET 3 of 11

DWG NO: SRT10KXLT+SRT192BP2

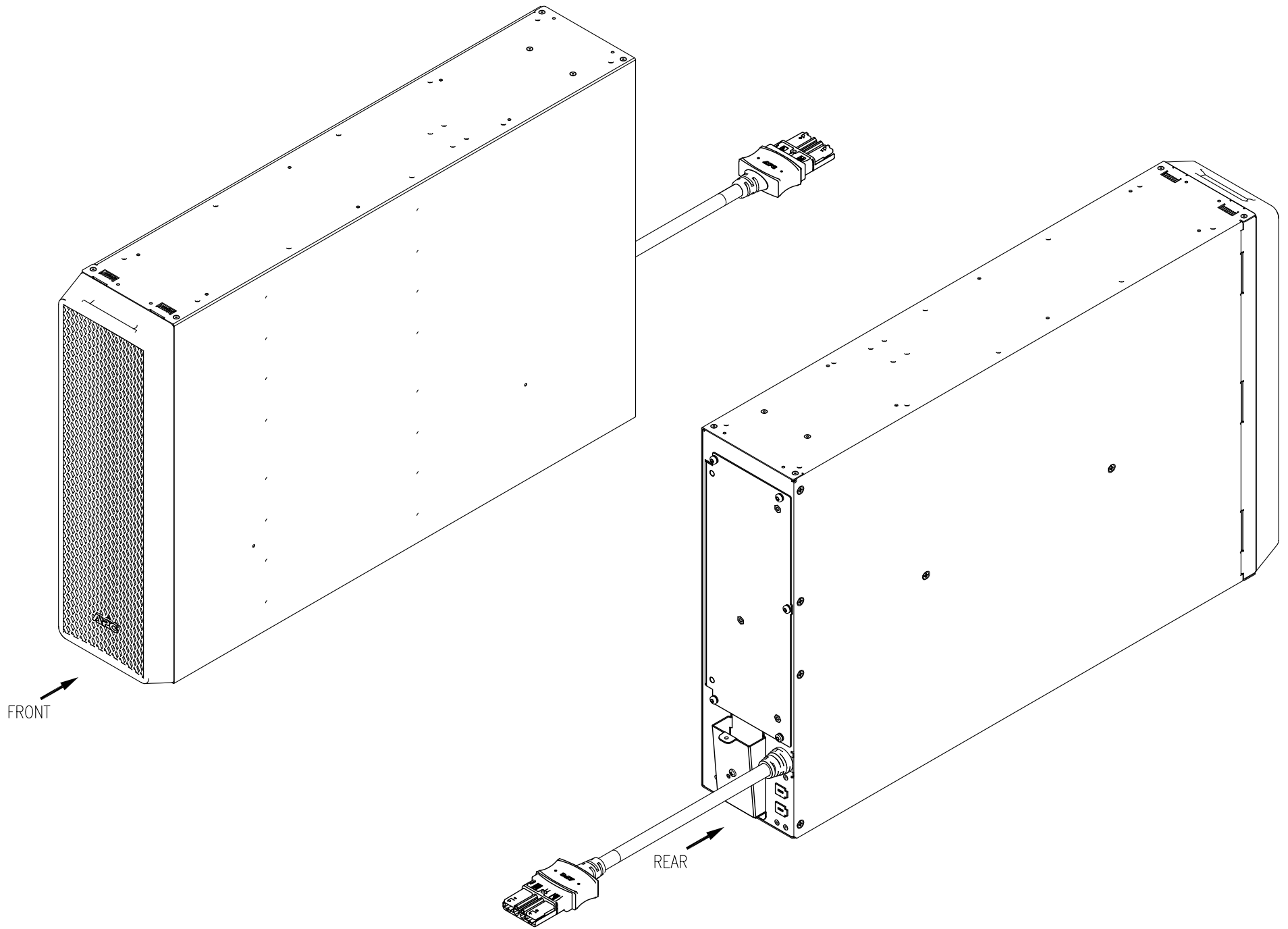
DRAWN BY: S CUNHA 08-OCT-14

ENGINEER: C KUMARSWAMY 08-OCT-14

APPROVED BY: M BEG 08-OCT-14

REV 0

THIRD ANGLE PROJ



NOTES:

1. INSTALLATION SHALL COMPLY WITH ALL APPLICABLE NATIONAL AND LOCAL CODES.
2. SEE PRODUCT DOCUMENTATION FOR FURTHER INFORMATION.

THIS DRAWING AND SPECIFICATIONS HEREIN ARE THE PROPERTY OF SCHNEIDER ELECTRIC AND SHALL NOT BE COPIED, REPRODUCED OR USED IN WHOLE OR IN PART, AS THE BASIS FOR THE MANUFACTURE OR SALE OF ITEMS WITHOUT WRITTEN PERMISSION FROM SCHNEIDER ELECTRIC. THIS DRAWING IS BASED UPON LATEST AVAILABLE INFORMATION AND IS SUBJECT TO CHANGE WITHOUT NOTICE.



TITLE: Smart-UPS On-Line (SRT)
 SRT10KXLT + SRT192BP2 - TOWER
 INPUT: 208/240V, 3W (L1+L2+G), HARDWIRE
 OUTPUT: 208/240V, (1) HARDWIRE, 3-WIRE (L1+L2+G),
 (4) NEMA L6-20R, (2) NEMA L6-30R
 XBP ISOMETRIC VIEWS

PROJECT: STD SUBMITTAL DRAWING SHEET 4 of 11

DWG NO: SRT10KXLT+SRT192BP2

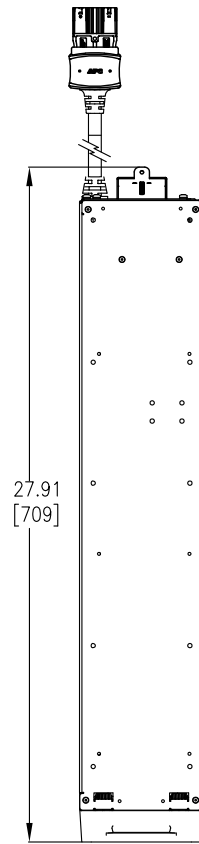
DRAWN BY: S CUNHA 08-OCT-14

ENGINEER: C KUMARSWAMY 08-OCT-14

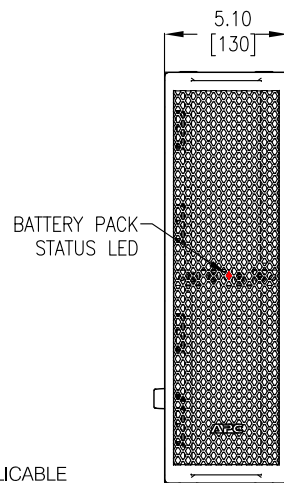
APPROVED BY: M BEG 08-OCT-14

REV 0

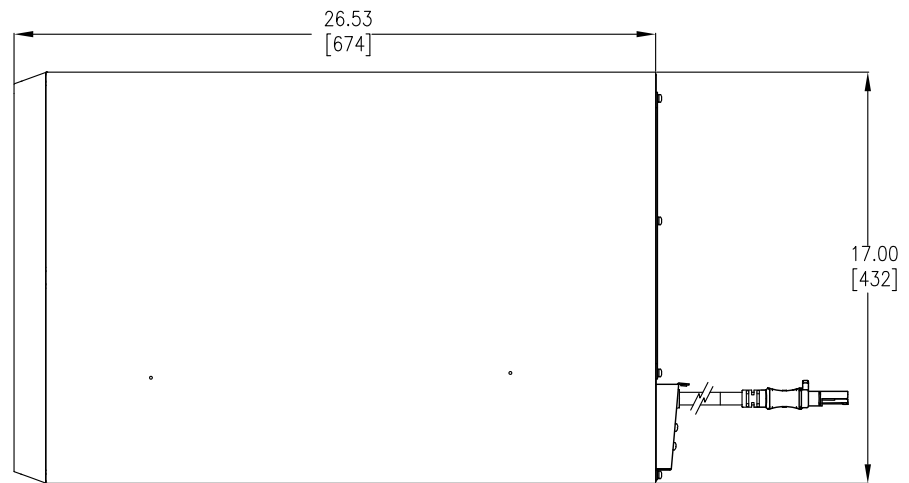
THIRD ANGLE PROJ



TOP VIEW



FRONT VIEW



SIDE VIEW

NOTES:

1. INSTALLATION SHALL COMPLY WITH ALL APPLICABLE NATIONAL, STATE AND LOCAL CODES.
2. PLEASE REFER TO PRODUCT DOCUMENTATION FOR FURTHER INFORMATION.
3. UNLESS OTHERWISE SPECIFIED, ALL DIMENSIONS ARE IN INCHES [MILLIMETERS].
4. WEIGHT OF UNIT IS 200.20 LBS [91.00 KG].
5. CABLE ENTRY FROM REAR SIDE OF UNIT.

THIS DRAWING AND SPECIFICATIONS HEREIN ARE THE PROPERTY OF SCHNEIDER ELECTRIC AND SHALL NOT BE COPIED, REPRODUCED OR USED IN WHOLE OR IN PART, AS THE BASIS FOR THE MANUFACTURE OR SALE OF ITEMS WITHOUT WRITTEN PERMISSION FROM SCHNEIDER ELECTRIC. THIS DRAWING IS BASED UPON LATEST AVAILABLE INFORMATION AND IS SUBJECT TO CHANGE WITHOUT NOTICE.



TITLE: Smart-UPS On-Line (SRT)
SRT10KXLT + SRT192BP2 - TOWER
INPUT: 208/240V, 3W (L1+L2+G), HARDWIRE
OUTPUT: 208/240V, (1) HARDWIRE, 3-WIRE (L1+L2+G),
(4) NEMA L6-20R, (2) NEMA L6-30R
XBP MAIN MECHANICAL

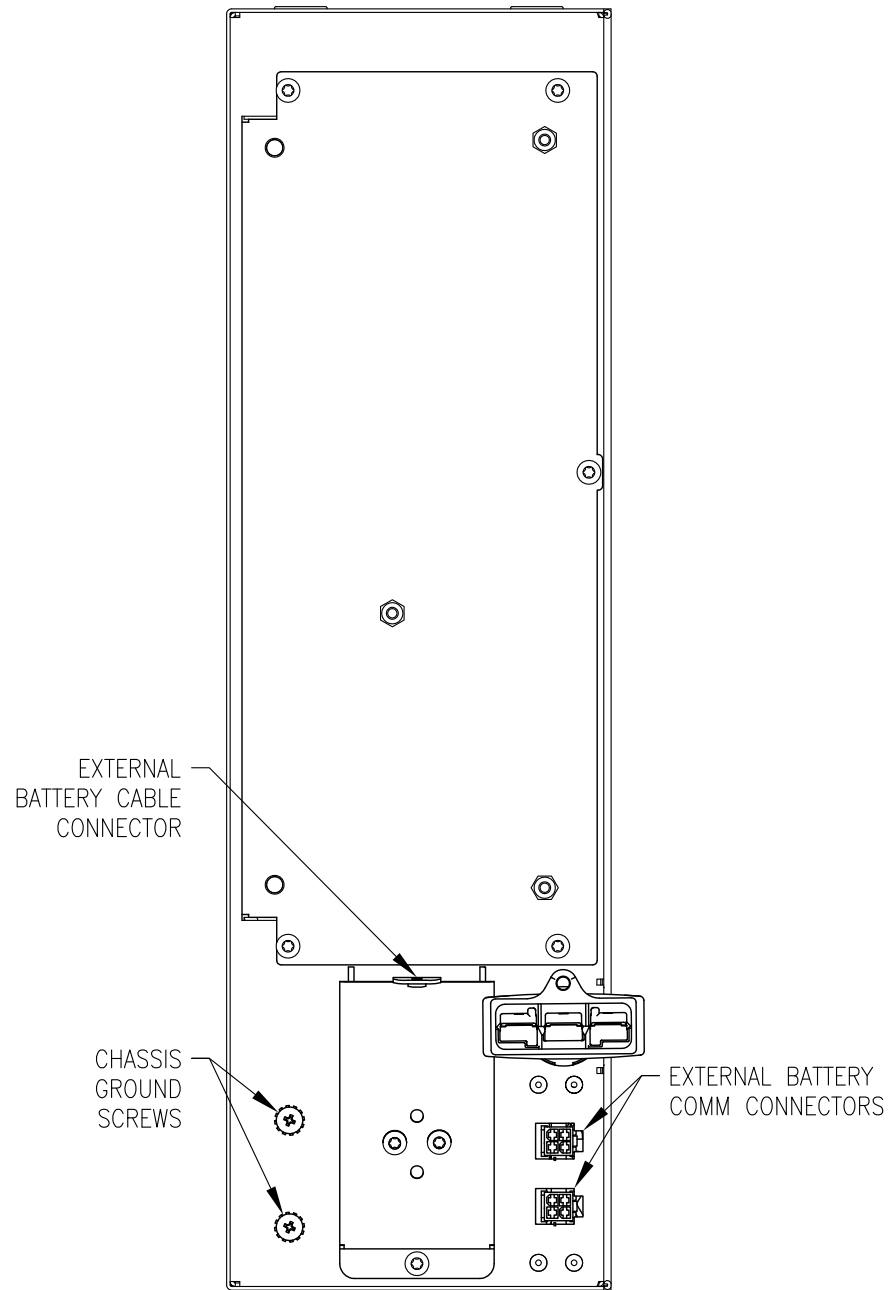
PROJECT: STD SUBMITTAL DRAWING **SHEET** 5 of 11

DWG NO: SRT10KXLT+SRT192BP2

DRAWN BY: S CUNHA	08-OCT-14
ENGINEER: C KUMARSWAMY	08-OCT-14
APPROVED BY: M BEG	08-OCT-14

REV 0

THIRD ANGLE PROJ



REAR VIEW

NOTES:

1. INSTALLATION SHALL COMPLY WITH ALL APPLICABLE NATIONAL, STATE AND LOCAL CODES.
2. PLEASE REFER TO PRODUCT DOCUMENTATION FOR FURTHER INFORMATION.

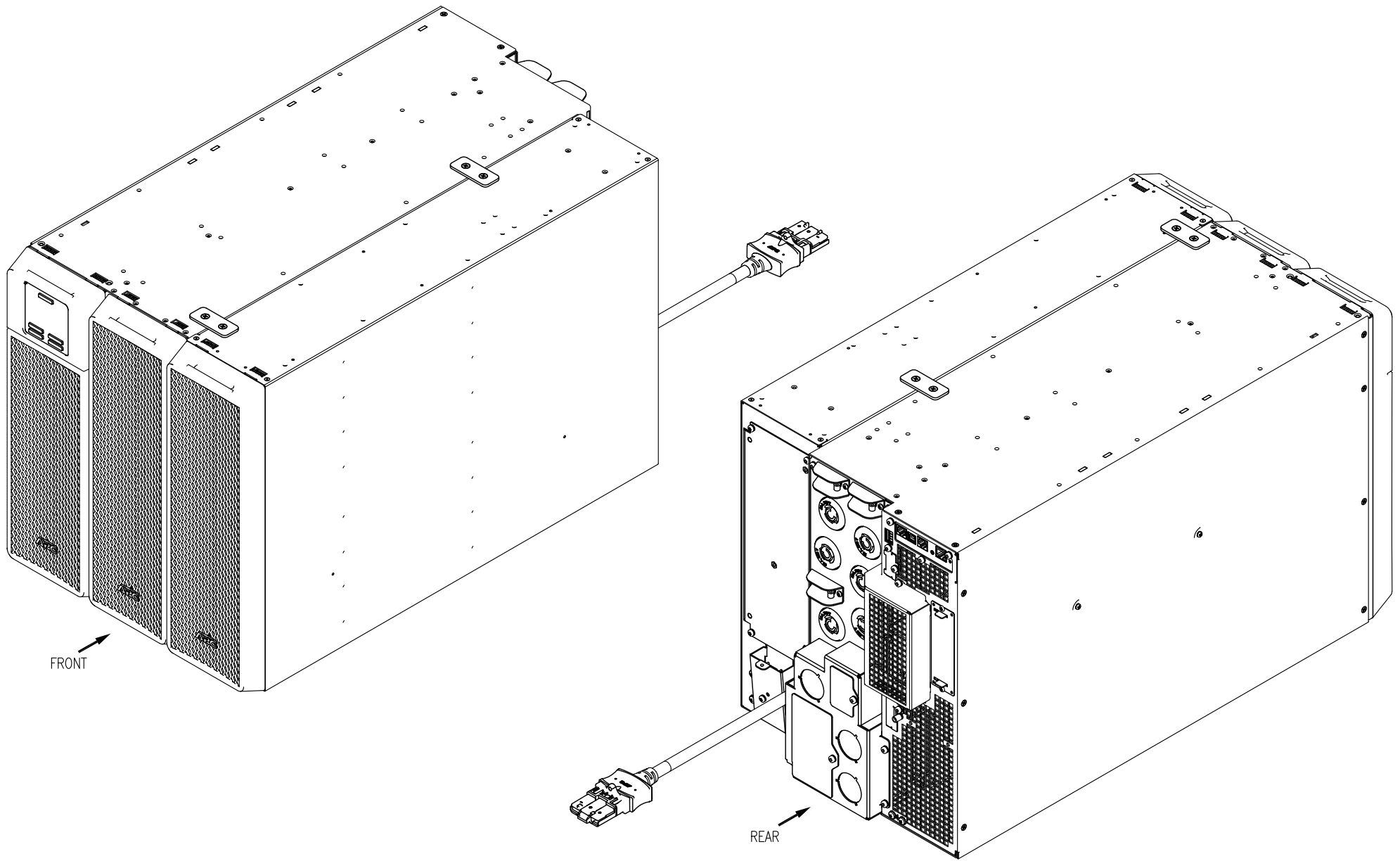
THIS DRAWING AND SPECIFICATIONS HEREIN ARE THE PROPERTY OF SCHNEIDER ELECTRIC AND SHALL NOT BE COPIED, REPRODUCED OR USED IN WHOLE OR IN PART, AS THE BASIS FOR THE MANUFACTURE OR SALE OF ITEMS WITHOUT WRITTEN PERMISSION FROM SCHNEIDER ELECTRIC. THIS DRAWING IS BASED UPON LATEST AVAILABLE INFORMATION AND IS SUBJECT TO CHANGE WITHOUT NOTICE.



TITLE: Smart-UPS On-Line (SRT)
 SRT10KXLT + SRT192BP2 - TOWER
 INPUT: 208/240V, 3W (L1+L2+G), HARDWIRE
 OUTPUT: 208/240V, (1) HARDWIRE, 3-WIRE (L1+L2+G),
 (4) NEMA L6-20R, (2) NEMA L6-30R
 XBP REAR VIEW

PROJECT: STD SUBMITTAL DRAWING **SHEET** 6 of 11

DWG NO: SRT10KXLT+SRT192BP2	REV 0
DRAWN BY: S CUNHA	08-OCT-14
ENGINEER: C KUMARSWAMY	08-OCT-14
APPROVED BY: M BEG	08-OCT-14
	THIRD ANGLE PROJ



NOTES:

1. INSTALLATION SHALL COMPLY WITH ALL APPLICABLE NATIONAL AND LOCAL CODES.
2. SEE PRODUCT DOCUMENTATION FOR FURTHER INFORMATION.

THIS DRAWING AND SPECIFICATIONS HEREIN ARE THE PROPERTY OF SCHNEIDER ELECTRIC AND SHALL NOT BE COPIED, REPRODUCED OR USED IN WHOLE OR IN PART, AS THE BASIS FOR THE MANUFACTURE OR SALE OF ITEMS WITHOUT WRITTEN PERMISSION FROM SCHNEIDER ELECTRIC. THIS DRAWING IS BASED UPON LATEST AVAILABLE INFORMATION AND IS SUBJECT TO CHANGE WITHOUT NOTICE.



TITLE: Smart-UPS On-Line (SRT)
 SRT10KXLT + SRT192BP2 - TOWER
 INPUT: 208/240V, 3W (L1+L2+G), HARDWIRE
 OUTPUT: 208/240V, (1) HARDWIRE, 3-WIRE (L1+L2+G),
 (4) NEMA L6-20R, (2) NEMA L6-30R
 BAYED ISOMETRIC VIEWS

PROJECT: STD SUBMITTAL DRAWING SHEET 7 of 11

DWG NO: SRT10KXLT+SRT192BP2

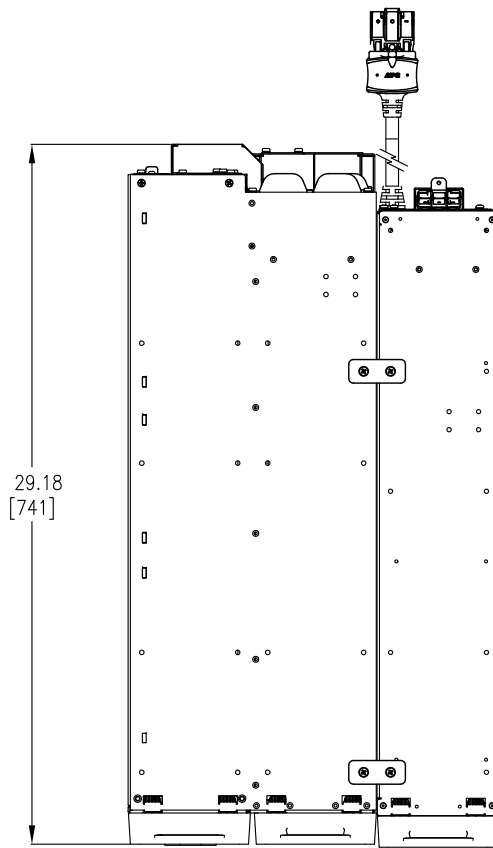
DRAWN BY: S CUNHA 08-OCT-14

ENGINEER: C KUMARSWAMY 08-OCT-14

APPROVED BY: M BEG 08-OCT-14

REV 0

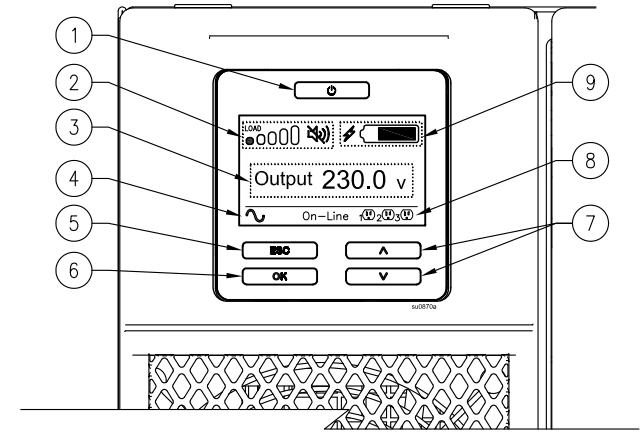
THIRD ANGLE PROJ



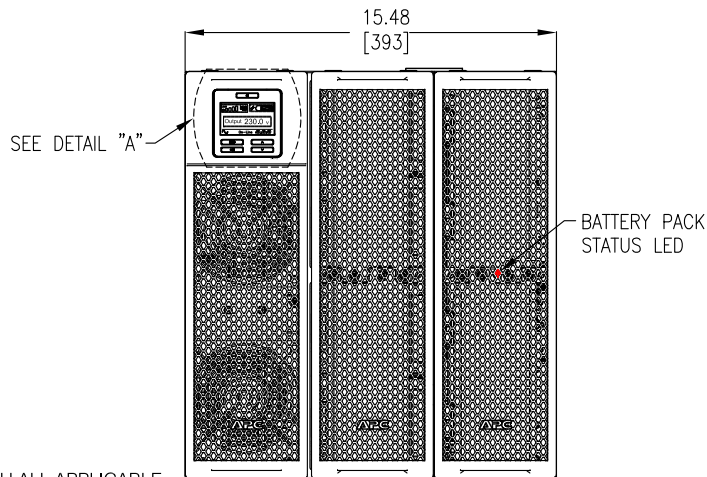
TOP VIEW

DISPLAY INTERFACE:

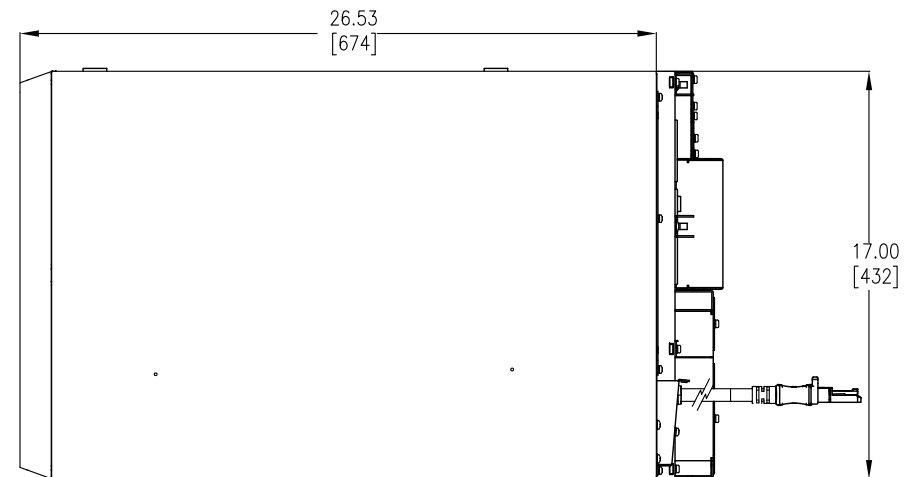
1. POWER "ON/OFF" BUTTON.
2. LOAD ICON, DISABLE/MUTE AUDIBLE ALARM ICON.
3. UPS STATUS INFORMATION.
4. OPERATION MODE ICONS.
5. "ESCAPE" BUTTON.
6. "OK" BUTTON.
7. "UP/DOWN" BUTTONS.
8. CONTROLLABLE OUTLET GROUP STATUS ICONS.
9. BATTERY STATUS ICONS.



DETAIL "A" - ENLARGED VIEW



FRONT VIEW



SIDE VIEW

NOTES:

1. INSTALLATION SHALL COMPLY WITH ALL APPLICABLE NATIONAL, STATE AND LOCAL CODES.
2. PLEASE REFER TO PRODUCT DOCUMENTATION FOR FURTHER INFORMATION.
3. UNLESS OTHERWISE SPECIFIED, ALL DIMENSIONS ARE IN INCHES [MILLIMETERS].
4. WEIGHT OF UNIT IS 446.20 LBS [202.82 KG].
5. CABLE ENTRY FROM REAR SIDE OF UNIT.

THIS DRAWING AND SPECIFICATIONS HEREIN ARE THE PROPERTY OF SCHNEIDER ELECTRIC AND SHALL NOT BE COPIED, REPRODUCED OR USED IN WHOLE OR IN PART, AS THE BASIS FOR THE MANUFACTURE OR SALE OF ITEMS WITHOUT WRITTEN PERMISSION FROM SCHNEIDER ELECTRIC. THIS DRAWING IS BASED UPON LATEST AVAILABLE INFORMATION AND IS SUBJECT TO CHANGE WITHOUT NOTICE.



TITLE: Smart-UPS On-Line (SRT)
SRT10KXLT + SRT192BP2 - TOWER
INPUT: 208/240V, 3W (L1+L2+G), HARDWIRE
OUTPUT: 208/240V, (1) HARDWIRE, 3-WIRE (L1+L2+G),
(4) NEMA L6-20R, (2) NEMA L6-30R
BAYED MAIN MECHANICAL

PROJECT: STD SUBMITTAL DRAWING **SHEET** 8 of 11

DWG NO: SRT10KXLT+SRT192BP2

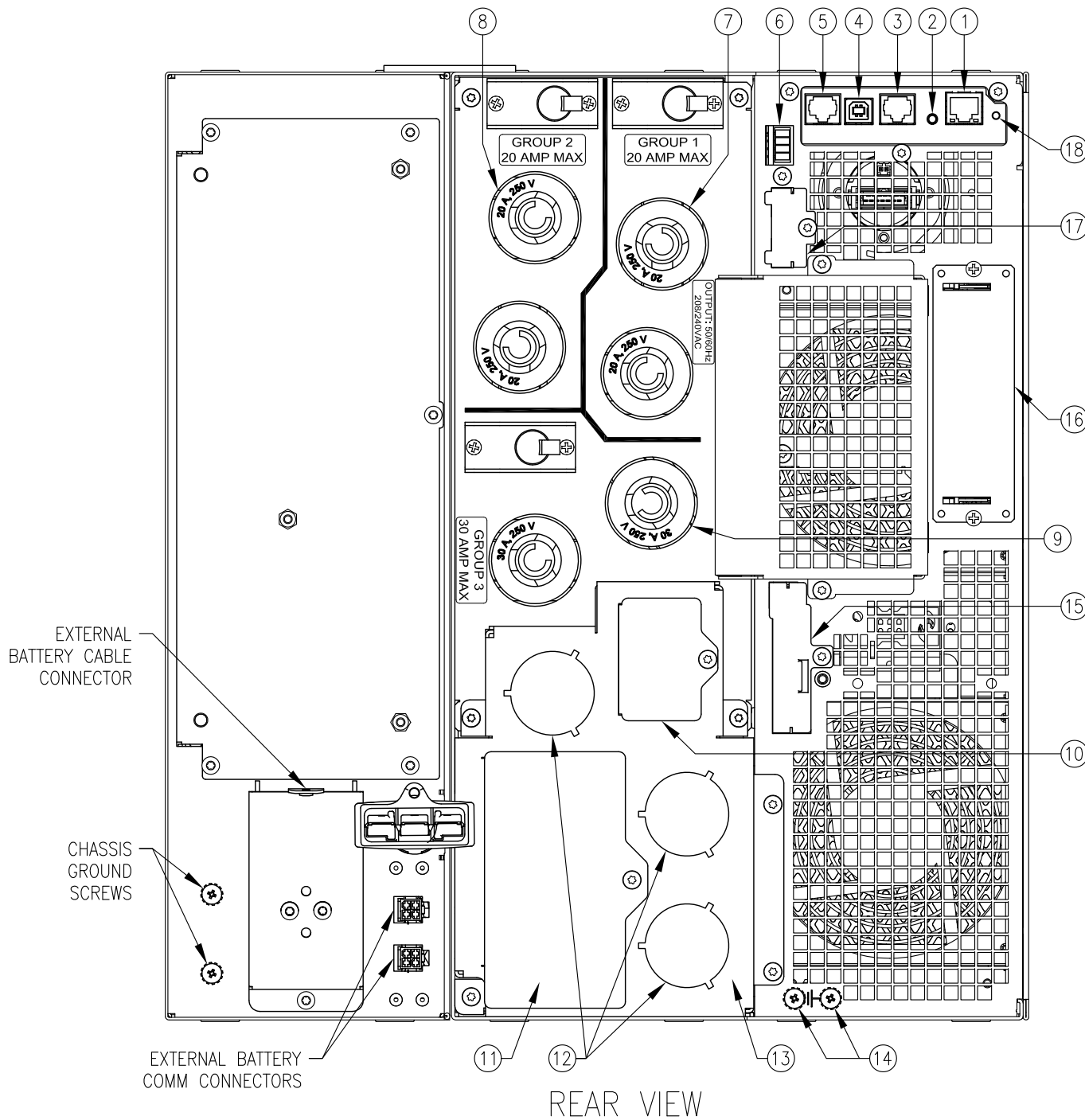
DRAWN BY: S CUNHA 08-OCT-14

ENGINEER: C KUMARSWAMY 08-OCT-14

APPROVED BY: M BEG 08-OCT-14

REV 0

THIRD ANGLE PROJ



- SRT8KXLT: (NUMBERING PER OPERATIONS MANUAL)**
1. NETWORK PORT
 2. CONSOLE PORT
 3. UNIVERSAL I/O PORT
 4. USB PORT
 5. SERIAL COM
 6. EPO TERMINAL
 7. CONTROLLABLE OUTLET GROUP 1
[(2) NEMA L6-20R] WITH CIRCUIT BREAKER
 8. CONTROLLABLE OUTLET GROUP 2
[(2) NEMA L6-20R] WITH CIRCUIT BREAKER
 9. CONTROLLABLE OUTLET GROUP 3
[(2) NEMA L6-30R] WITH CIRCUIT BREAKER
 10. AC OUTPUT INSPECTION PANEL
 11. AC INPUT INSPECTION PANEL
 12. AC HARDWIRE KNOCKOUTS
 13. HARDWIRE BOX INPUT/OUTPUT
 14. CHASSIS GROUND SCREWS
 15. EXTERNAL BATTERY POWER AND COMMUNICATION CONNECTORS
 16. SMART SLOT
 17. PRL COMM PORT
 18. RESET BUTTON

REAR VIEW

- NOTES:**
1. INSTALLATION SHALL COMPLY WITH ALL APPLICABLE NATIONAL, STATE AND LOCAL CODES.
 2. PLEASE REFER TO PRODUCT DOCUMENTATION FOR FURTHER INFORMATION.

THIS DRAWING AND SPECIFICATIONS HEREIN ARE THE PROPERTY OF SCHNEIDER ELECTRIC AND SHALL NOT BE COPIED, REPRODUCED OR USED IN WHOLE OR IN PART, AS THE BASIS FOR THE MANUFACTURE OR SALE OF ITEMS WITHOUT WRITTEN PERMISSION FROM SCHNEIDER ELECTRIC. THIS DRAWING IS BASED UPON LATEST AVAILABLE INFORMATION AND IS SUBJECT TO CHANGE WITHOUT NOTICE.



TITLE: Smart-UPS On-Line (SRT)
SRT10KXLT + SRT192BP2 - TOWER
INPUT: 208/240V, 3W (L1+L2+G), HARDWIRE
OUTPUT: 208/240V, (1) HARDWIRE, 3-WIRE (L1+L2+G),
(4) NEMA L6-20R, (2) NEMA L6-30R
BAYED REAR VIEW

PROJECT: STD SUBMITTAL DRAWING **SHEET** 9 of 11

DWG NO: SRT10KXLT+SRT192BP2

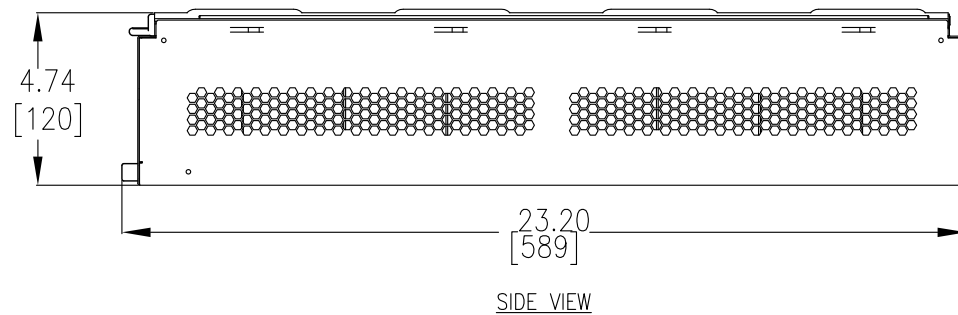
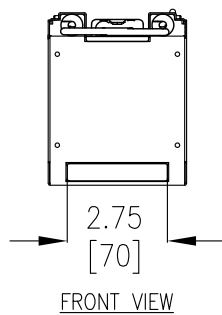
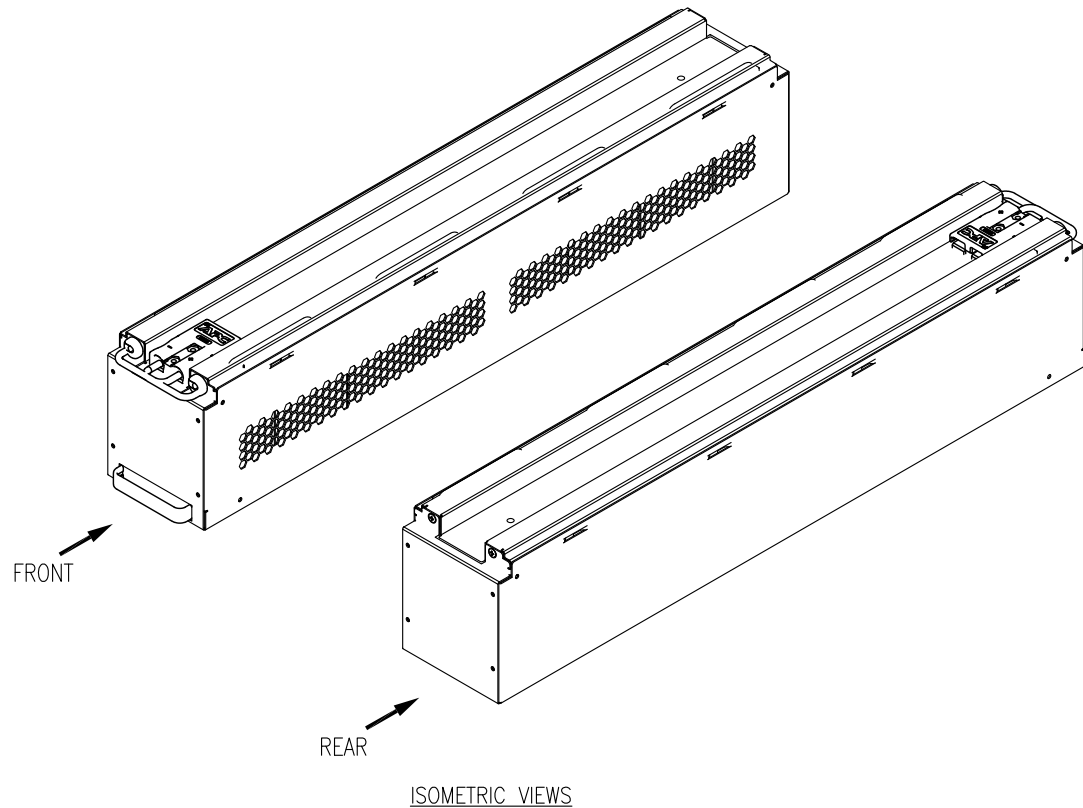
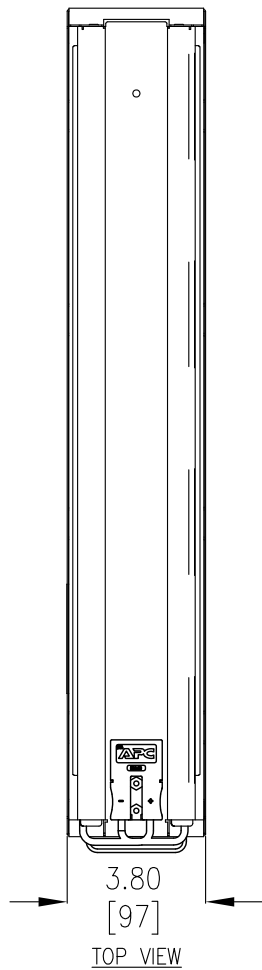
DRAWN BY: S CUNHA 08-OCT-14

ENGINEER: C KUMARSWAMY 08-OCT-14

APPROVED BY: M BEG 08-OCT-14

REV 0

THIRD ANGLE PROJ



NOTES:

1. INSTALLATION SHALL COMPLY WITH ALL APPLICABLE NATIONAL, STATE AND LOCAL CODES.
2. PLEASE REFER TO PRODUCT DOCUMENTATION FOR FURTHER INFORMATION.
3. UNLESS OTHERWISE SPECIFIED, ALL DIMENSIONS ARE IN INCHES [MILLIMETERS].
4. THE APC BATTERY REPLACEMENT CARTRIDGE, APCRBC140, CONSISTS OF (2) BATTERY MODULES.

THIS DRAWING AND SPECIFICATIONS HEREIN ARE THE PROPERTY OF SCHNEIDER ELECTRIC AND SHALL NOT BE COPIED, REPRODUCED OR USED IN WHOLE OR IN PART, AS THE BASIS FOR THE MANUFACTURE OR SALE OF ITEMS WITHOUT WRITTEN PERMISSION FROM SCHNEIDER ELECTRIC. THIS DRAWING IS BASED UPON LATEST AVAILABLE INFORMATION AND IS SUBJECT TO CHANGE WITHOUT NOTICE.



TITLE: Smart-UPS On-Line (SRT)
SRT10KXLT + SRT192BP2 - TOWER
INPUT: 208/240V, 3W (L1+L2+G), HARDWIRE
OUTPUT: 208/240V, (1) HARDWIRE, 3-WIRE (L1+L2+G),
(4) NEMA L6-20R, (2) NEMA L6-30R
APC REPLACEMENT BATTERY CARTRIDGE #140

PROJECT: STD SUBMITTAL DRAWING SHEET 10 of 11

DWG NO: SRT10KXLT+SRT192BP2

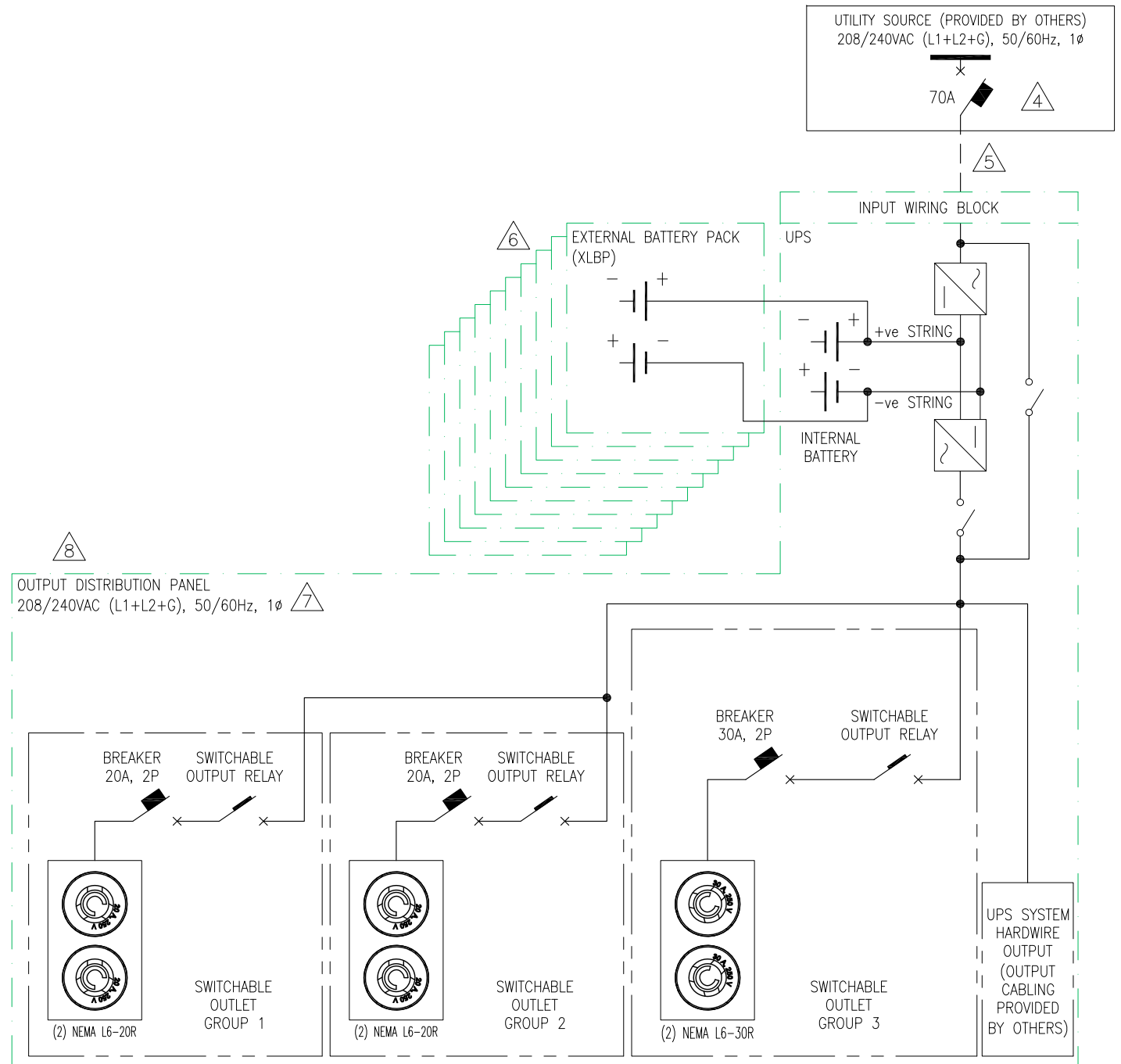
DRAWN BY: S CUNHA 08-OCT-14

ENGINEER: C KUMARSWAMY 08-OCT-14

APPROVED BY: M BEG 08-OCT-14

REV 0

THIRD ANGLE PROJ



NOTES:

1. INSTALLATION SHALL COMPLY WITH ALL APPLICABLE NATIONAL, STATE AND LOCAL CODES.
2. PLEASE REFER TO PRODUCT DOCUMENTATION FOR FURTHER INFORMATION.
3. STD SUBMITTAL DRAWING DEPICTS POWER SYSTEM CONNECTIONS AND IS NOT REPRESENTATIVE OF PHYSICAL LAYOUT. PLEASE REFER TO MECHANICAL STD SUBMITTAL DRAWINGS FOR MORE SPECIFIC PHYSICAL DATA.
- △4. UTILITY SOURCE MUST BE NOMINAL 208/240VAC (L1+L2+G), 50/60Hz, 1Ø, PROVIDED BY OTHERS.
- △5. DASHED LINES BETWEEN UNITS (-----) REPRESENT CABLING PROVIDED BY OTHERS.
- △6. ADDITIONAL EXTERNAL BATTERY PACKS (UP TO 10), CAN BE CONNECTED TO INCREASE THE RUN TIME FURTHER.
- △7. OUTPUT DISTRIBUTION PANEL CONTAINS SWITCHABLE OUTPUT GROUPS. REFER TO INSTALLATION MANUAL FOR DETAILED INSTRUCTIONS.
- △8. OPTIONAL PDU PANELS CAN BE PURCHASED SEPARATELY & INSTALLED TO PROVIDE ALTERNATIVE LOAD CONNECTIONS.

THIS DRAWING AND SPECIFICATIONS HEREIN ARE THE PROPERTY OF SCHNEIDER ELECTRIC AND SHALL NOT BE COPIED, REPRODUCED OR USED IN WHOLE OR IN PART, AS THE BASIS FOR THE MANUFACTURE OR SALE OF ITEMS WITHOUT WRITTEN PERMISSION FROM SCHNEIDER ELECTRIC. THIS DRAWING IS BASED UPON LATEST AVAILABLE INFORMATION AND IS SUBJECT TO CHANGE WITHOUT NOTICE.



TITLE: Smart-UPS On-Line (SRT)
SRT10KXLT + SRT192BP2 - TOWER
INPUT: 208/240V, 3W (L1+L2+G), HARDWARE
OUTPUT: 208/240V, (1) HARDWARE, 3-WIRE (L1+L2+G),
(4) NEMA L6-20R, (2) NEMA L6-30R
SINGLE-LINE DIAGRAM

PROJECT: STD SUBMITTAL DRAWING **SHEET** 11 of 11

DWG NO: SRT10KXLT+SRT192BP2

DRAWN BY: S CUNHA 08-OCT-14
ENGINEER: C JAYARAMAN 08-OCT-14
APPROVED BY: M BEG 08-OCT-14

REV 0
PROJ ANGLE
ANGLE N/A