

NOTES:

1. INSTALLATION SHALL COMPLY WITH ALL APPLICABLE NATIONAL AND LOCAL CODES.
2. SEE PRODUCT DOCUMENTATION FOR FURTHER INFORMATION.

THIS DRAWING AND SPECIFICATIONS HEREIN ARE THE PROPERTY OF SCHNEIDER ELECTRIC AND SHALL NOT BE COPIED, REPRODUCED OR USED IN WHOLE OR IN PART, AS THE BASIS FOR THE MANUFACTURE OR SALE OF ITEMS WITHOUT WRITTEN PERMISSION FROM SCHNEIDER ELECTRIC. THIS DRAWING IS BASED UPON LATEST AVAILABLE INFORMATION AND IS SUBJECT TO CHANGE WITHOUT NOTICE.



TITLE: Smart-UPS On-Line (SRT)
 SRT8KRMXL1-IEC + SRT192RMBP2 - RACKMOUNT
 INPUT: 208/240V, 3W (L1+L2+G), HARDWIRE
 OUTPUT: 208/240V, (1) HARDWIRE, 3-WIRE (L1+L2+G),
 (6) IEC 320 C13, (4) IEC 320 C19
 UPS ISOMETRIC VIEWS

PROJECT: STD SUBMITTAL DRAWING SHEET 1 of 11

DWG NO: SRT8KRMXL1-IEC+SRT192RMBP2

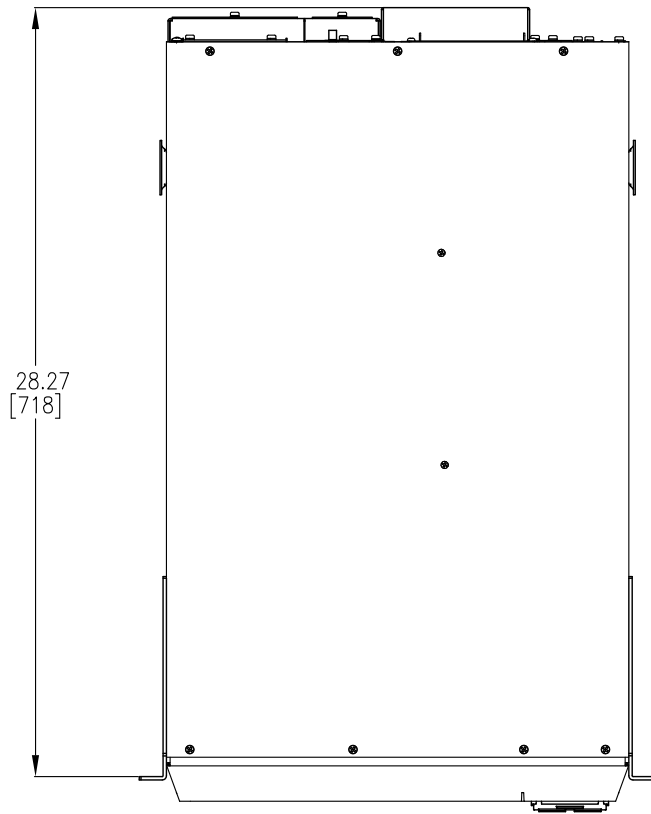
DRAWN BY: S CUNHA 08-OCT-14

ENGINEER: C KUMARSWAMY 08-OCT-14

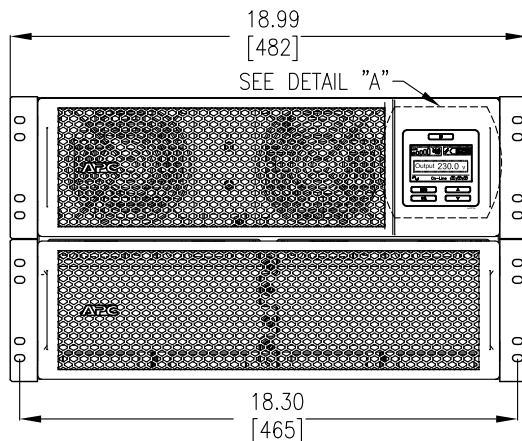
APPROVED BY: M BEG 08-OCT-14

REV 0

THIRD
 ANGLE
 PROJ



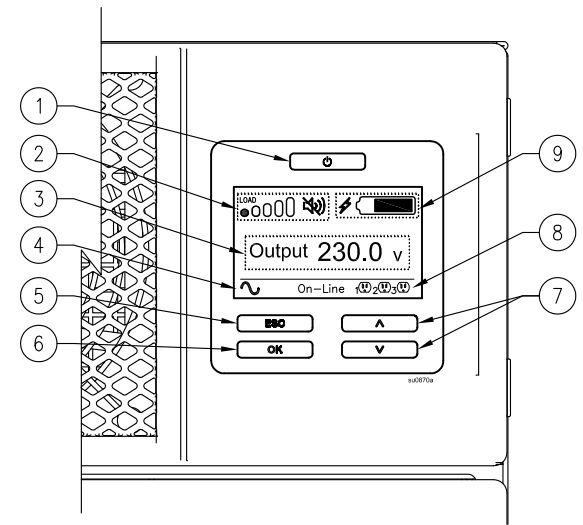
TOP VIEW



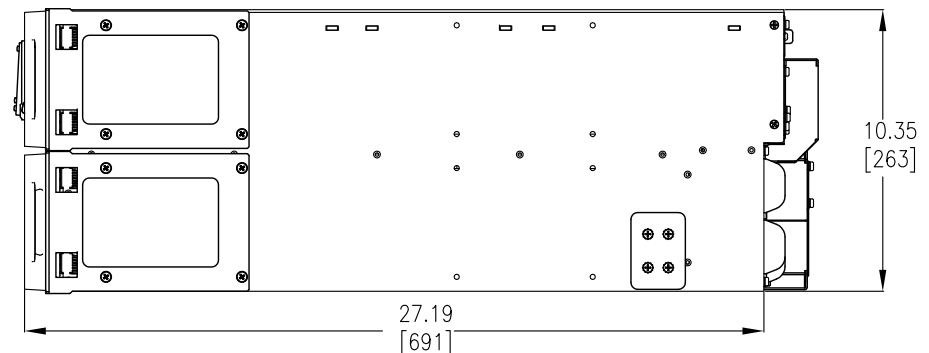
FRONT VIEW

DISPLAY INTERFACE:

1. POWER "ON/OFF" BUTTON.
2. LOAD ICON, DISABLE/MUTE AUDIBLE ALARM ICON.
3. UPS STATUS INFORMATION.
4. OPERATION MODE ICONS.
5. "ESCAPE" BUTTON.
6. "OK" BUTTON.
7. "UP/DOWN" BUTTONS.
8. CONTROLLABLE OUTLET GROUP STATUS ICONS.
9. BATTERY STATUS ICONS.



DETAIL "A" - ENLARGED VIEW



SIDE VIEW

NOTES:

1. INSTALLATION SHALL COMPLY WITH ALL APPLICABLE NATIONAL, STATE AND LOCAL CODES.
2. PLEASE REFER TO PRODUCT DOCUMENTATION FOR FURTHER INFORMATION.
3. UNLESS OTHERWISE SPECIFIED, ALL DIMENSIONS ARE IN INCHES [MILLIMETERS].
4. WEIGHT OF UNIT IS 246.00 LBS [111.82 KG].
5. CABLE ENTRY FROM REAR SIDE OF UNIT.

THIS DRAWING AND SPECIFICATIONS HEREIN ARE THE PROPERTY OF SCHNEIDER ELECTRIC AND SHALL NOT BE COPIED, REPRODUCED OR USED IN WHOLE OR IN PART, AS THE BASIS FOR THE MANUFACTURE OR SALE OF ITEMS WITHOUT WRITTEN PERMISSION FROM SCHNEIDER ELECTRIC. THIS DRAWING IS BASED UPON LATEST AVAILABLE INFORMATION AND IS SUBJECT TO CHANGE WITHOUT NOTICE.



TITLE: Smart-UPS On-Line (SRT)
SRT8KRMXL-IEC + SRT192RMBP2 - RACKMOUNT
INPUT: 208/240V, 3W (L1+L2+G), HARDWIRE
OUTPUT: 208/240V, (1) HARDWIRE, 3-WIRE (L1+L2+G),
(6)IEC 320 C13, (4)IEC 320 C19
UPS MAIN MECHANICAL

PROJECT: STD SUBMITTAL DRAWING SHEET 2 of 11

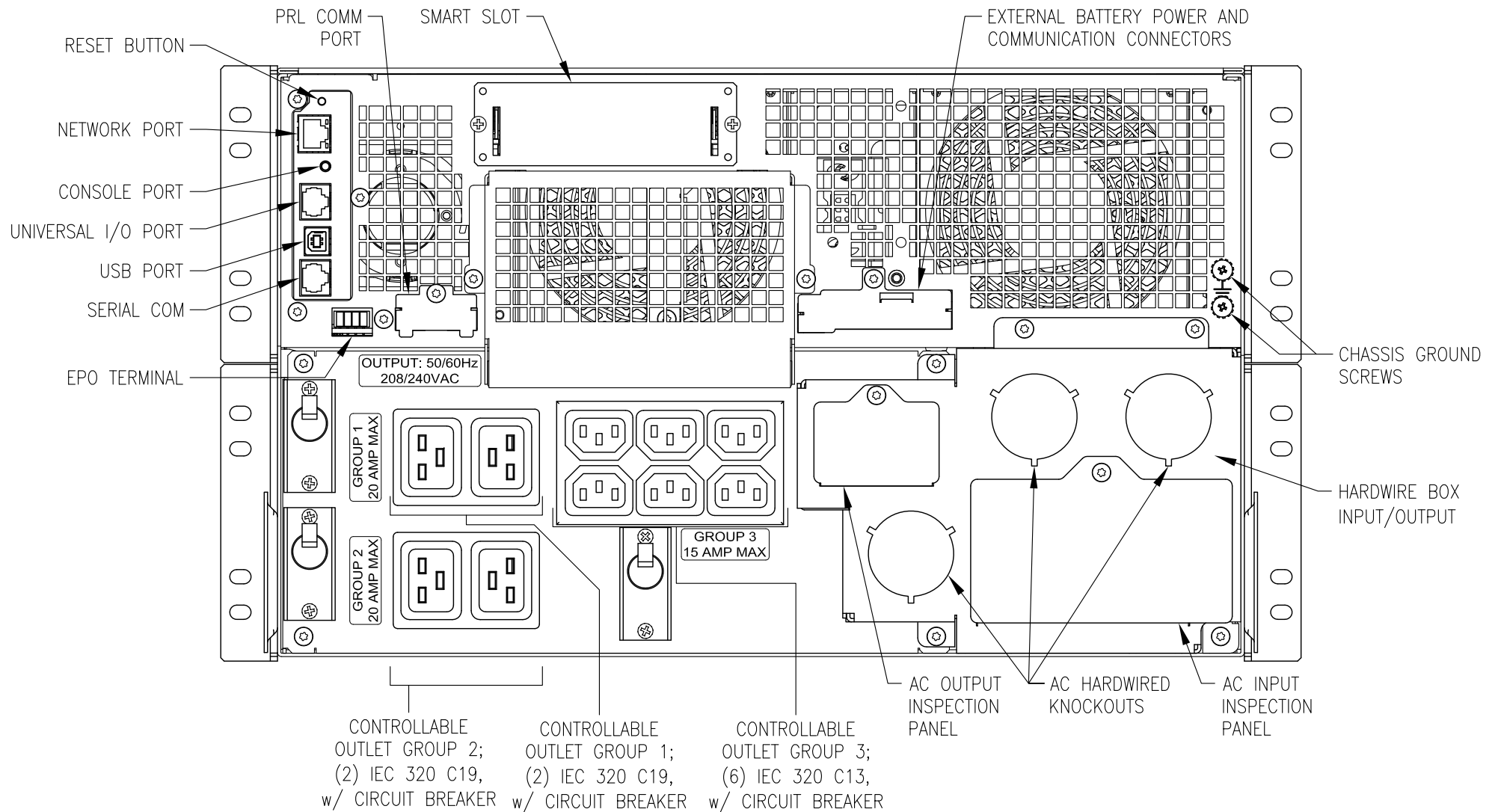
DWG NO: SRT8KRMXL-IEC+SRT192RMBP2

DRAWN BY: S CUNHA 08-OCT-14

ENGINEER: C KUMARSWAMY 08-OCT-14

APPROVED BY: M BEG 08-OCT-14

REV 0
THIRD ANGLE PROJ



REAR VIEW

NOTES:

1. INSTALLATION SHALL COMPLY WITH ALL APPLICABLE NATIONAL, STATE AND LOCAL CODES.
2. PLEASE REFER TO PRODUCT DOCUMENTATION FOR FURTHER INFORMATION.

THIS DRAWING AND SPECIFICATIONS HEREIN ARE THE PROPERTY OF SCHNEIDER ELECTRIC AND SHALL NOT BE COPIED, REPRODUCED OR USED IN WHOLE OR IN PART, AS THE BASIS FOR THE MANUFACTURE OR SALE OF ITEMS WITHOUT WRITTEN PERMISSION FROM SCHNEIDER ELECTRIC. THIS DRAWING IS BASED UPON LATEST AVAILABLE INFORMATION AND IS SUBJECT TO CHANGE WITHOUT NOTICE.

Schneider Electric

TITLE: Smart-UPS On-Line (SRT)
SRT8KRMXL1-IEC + SRT192RMBP2 - RACKMOUNT
INPUT: 208/240V, 3W (L1+L2+G), HARDWIRE
OUTPUT: 208/240V, (1) HARDWIRE, 3-WIRE (L1+L2+G),
(6) IEC 320 C13, (4) IEC 320 C19
UPS REAR VIEW

PROJECT: STD SUBMITTAL DRAWING SHEET 3 of 11

DWG NO: SRT8KRMXL1-IEC+SRT192RMBP2

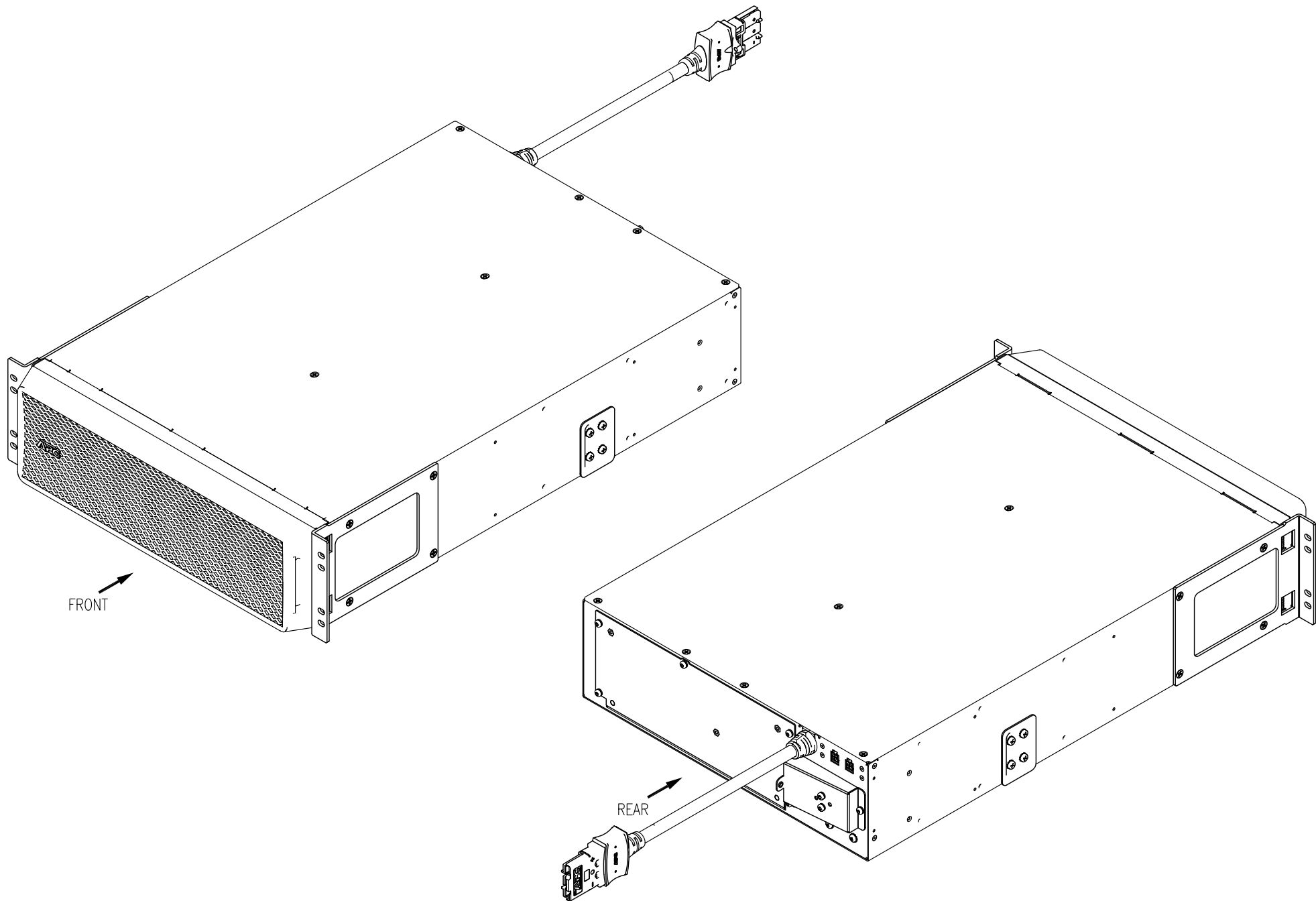
DRAWN BY: S CUNHA 08-OCT-14

ENGINEER: C KUMARSWAMY 08-OCT-14

APPROVED BY: M BEG 08-OCT-14

REV 0

THIRD ANGLE PROJ



NOTES:

1. INSTALLATION SHALL COMPLY WITH ALL APPLICABLE NATIONAL AND LOCAL CODES.
2. SEE PRODUCT DOCUMENTATION FOR FURTHER INFORMATION.

THIS DRAWING AND SPECIFICATIONS HEREIN ARE THE PROPERTY OF SCHNEIDER ELECTRIC AND SHALL NOT BE COPIED, REPRODUCED OR USED IN WHOLE OR IN PART, AS THE BASIS FOR THE MANUFACTURE OR SALE OF ITEMS WITHOUT WRITTEN PERMISSION FROM SCHNEIDER ELECTRIC. THIS DRAWING IS BASED UPON LATEST AVAILABLE INFORMATION AND IS SUBJECT TO CHANGE WITHOUT NOTICE.



TITLE: Smart-UPS On-Line (SRT)
 SRT8KRMXL1-IEC + SRT192RMBP2 - RACKMOUNT
 INPUT: 208/240V, 3W (L1+L2+G), HARDWIRE
 OUTPUT: 208/240V, (1) HARDWIRE, 3-WIRE (L1+L2+G),
 (6)IEC 320 C13, (4)IEC 320 C19
 XBP ISOMETRIC VIEWS

PROJECT: STD SUBMITTAL DRAWING SHEET 4 of 11

DWG NO: SRT8KRMXL1-IEC+SRT192RMBP2

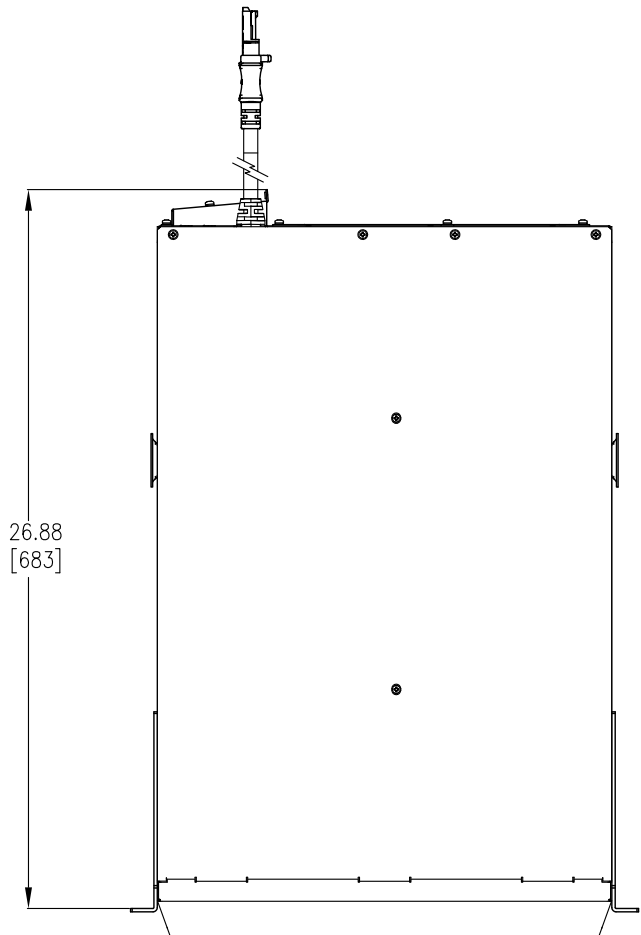
DRAWN BY: S CUNHA 08-OCT-14

ENGINEER: C KUMARSWAMY 08-OCT-14

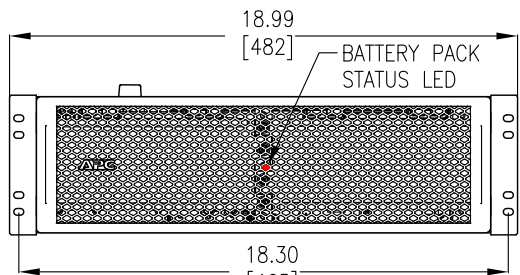
APPROVED BY: M BEG 08-OCT-14

REV 0

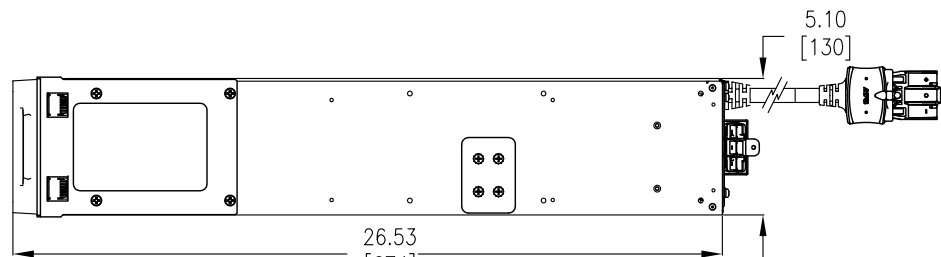
THIRD ANGLE PROJ



TOP VIEW



FRONT VIEW



SIDE VIEW

NOTES:

1. INSTALLATION SHALL COMPLY WITH ALL APPLICABLE NATIONAL, STATE AND LOCAL CODES.
2. PLEASE REFER TO PRODUCT DOCUMENTATION FOR FURTHER INFORMATION.
3. UNLESS OTHERWISE SPECIFIED, ALL DIMENSIONS ARE IN INCHES [MILLIMETERS].
4. WEIGHT OF UNIT IS 200.20 LBS [91.00 KG].
5. CABLE ENTRY FROM REAR SIDE OF UNIT.

THIS DRAWING AND SPECIFICATIONS HEREIN ARE THE PROPERTY OF SCHNEIDER ELECTRIC AND SHALL NOT BE COPIED, REPRODUCED OR USED IN WHOLE OR IN PART, AS THE BASIS FOR THE MANUFACTURE OR SALE OF ITEMS WITHOUT WRITTEN PERMISSION FROM SCHNEIDER ELECTRIC. THIS DRAWING IS BASED UPON LATEST AVAILABLE INFORMATION AND IS SUBJECT TO CHANGE WITHOUT NOTICE.



TITLE: Smart-UPS On-Line (SRT)
 SRT8KRMXL1-IEC + SRT192RMBP2 - RACKMOUNT
 INPUT: 208/240V, 3W (L1+L2+G), HARDWIRE
 OUTPUT: 208/240V, (1) HARDWIRE, 3-WIRE (L1+L2+G),
 (6)IEC 320 C13, (4)IEC 320 C19
 XBP MAIN MECHANICAL

PROJECT: STD SUBMITTAL DRAWING SHEET 5 of 11

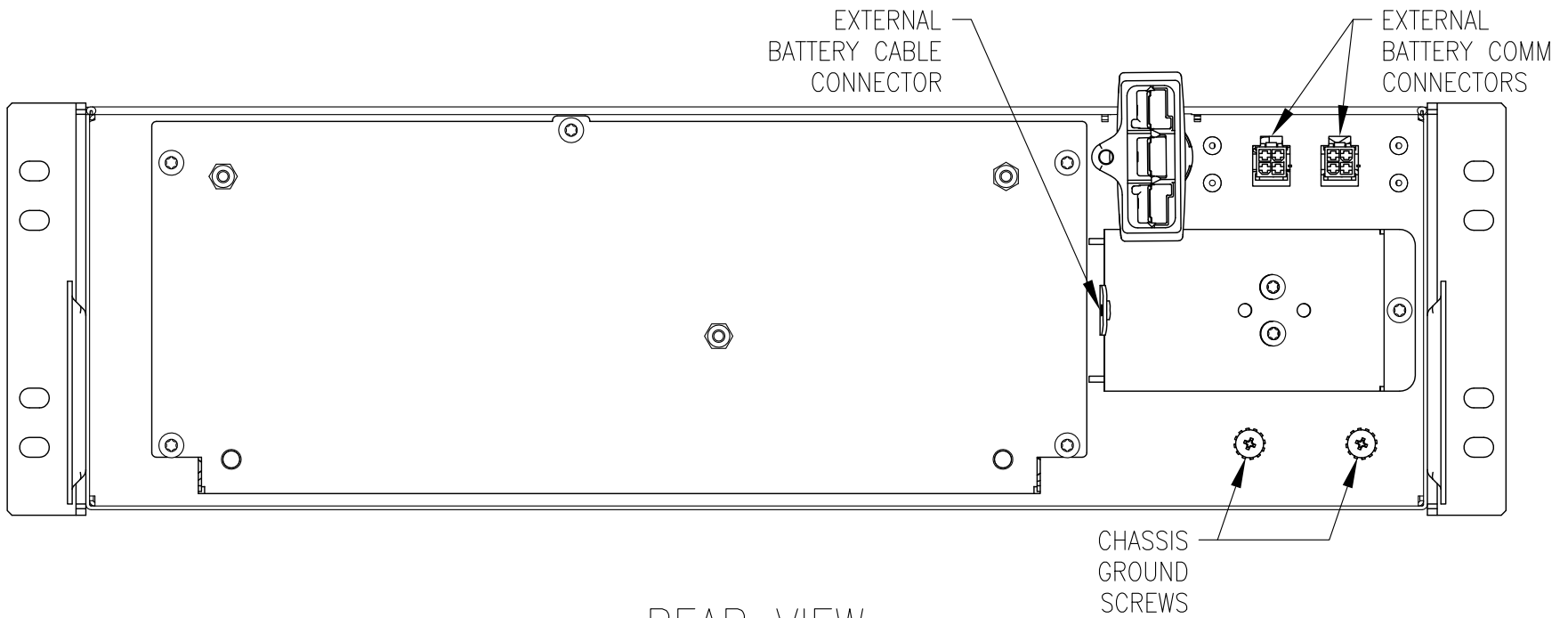
DWG NO: SRT8KRMXL1-IEC+SRT192RMBP2

DRAWN BY: S CUNHA 08-OCT-14

ENGINEER: C KUMARSWAMY 08-OCT-14

APPROVED BY: M BEG 08-OCT-14

REV 0
 THIRD ANGLE PROJ



REAR VIEW

NOTES:

1. INSTALLATION SHALL COMPLY WITH ALL APPLICABLE NATIONAL, STATE AND LOCAL CODES.
2. PLEASE REFER TO PRODUCT DOCUMENTATION FOR FURTHER INFORMATION.

THIS DRAWING AND SPECIFICATIONS HEREIN ARE THE PROPERTY OF SCHNEIDER ELECTRIC AND SHALL NOT BE COPIED, REPRODUCED OR USED IN WHOLE OR IN PART, AS THE BASIS FOR THE MANUFACTURE OR SALE OF ITEMS WITHOUT WRITTEN PERMISSION FROM SCHNEIDER ELECTRIC. THIS DRAWING IS BASED UPON LATEST AVAILABLE INFORMATION AND IS SUBJECT TO CHANGE WITHOUT NOTICE.



TITLE: Smart-UPS On-Line (SRT)
 SRT8KRMXL1-IEC + SRT192RMBP2 - RACKMOUNT
 INPUT: 208/240V, 3W (L1+L2+G), HARDWIRE
 OUTPUT: 208/240V, (1) HARDWIRE, 3-WIRE (L1+L2+G),
 (6) IEC 320 C13, (4) IEC 320 C19
 XBP REAR VIEW

PROJECT: STD SUBMITTAL DRAWING SHEET 6 of 11

DWG NO: SRT8KRMXL1-IEC+SRT192RMBP2

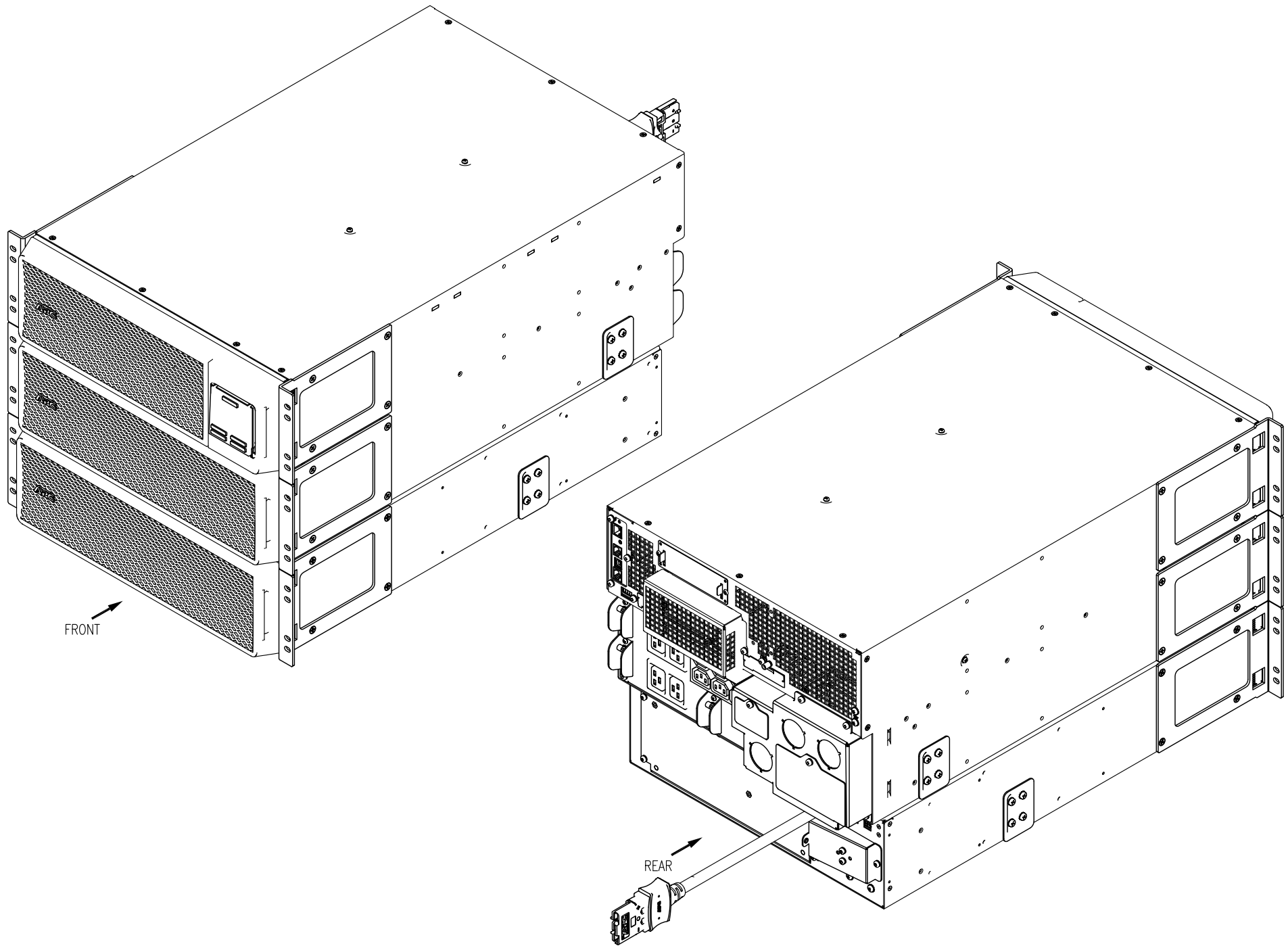
DRAWN BY: S CUNHA 08-OCT-14

ENGINEER: C KUMARSWAMY 08-OCT-14

APPROVED BY: M BEG 08-OCT-14

REV 0

THIRD ANGLE PROJ



NOTES:

1. INSTALLATION SHALL COMPLY WITH ALL APPLICABLE NATIONAL AND LOCAL CODES.
2. SEE PRODUCT DOCUMENTATION FOR FURTHER INFORMATION.

THIS DRAWING AND SPECIFICATIONS HEREIN ARE THE PROPERTY OF SCHNEIDER ELECTRIC AND SHALL NOT BE COPIED, REPRODUCED OR USED IN WHOLE OR IN PART, AS THE BASIS FOR THE MANUFACTURE OR SALE OF ITEMS WITHOUT WRITTEN PERMISSION FROM SCHNEIDER ELECTRIC. THIS DRAWING IS BASED UPON LATEST AVAILABLE INFORMATION AND IS SUBJECT TO CHANGE WITHOUT NOTICE.



TITLE: Smart-UPS On-Line (SRT)
 SRT8KRMXL-IEC + SRT192RMBP2 - RACKMOUNT
 INPUT: 208/240V, 3W (L1+L2+G), HARDWIRE
 OUTPUT: 208/240V, (1) HARDWIRE, 3-WIRE (L1+L2+G),
 (6)IEC 320 C13, (4)IEC 320 C19
 BAYED ISOMETRIC VIEWS

PROJECT: STD SUBMITTAL DRAWING SHEET 7 of 11

DWG NO: SRT8KRMXL-IEC+SRT192RMBP2

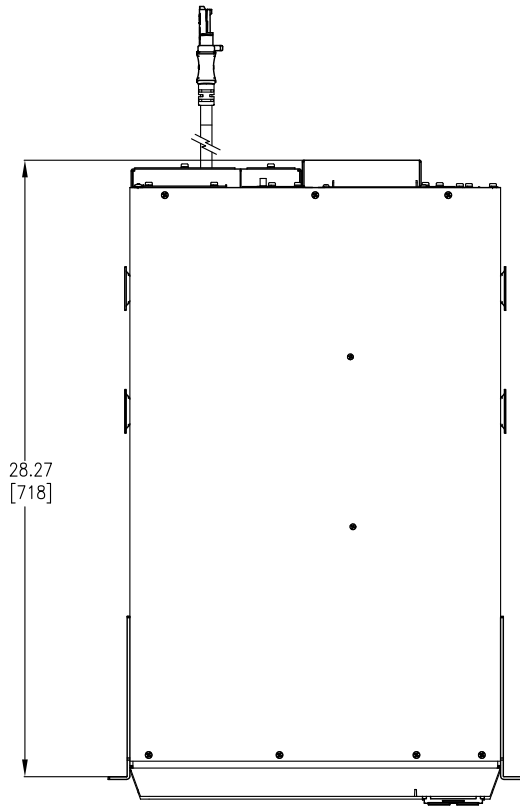
DRAWN BY: S CUNHA 08-OCT-14

ENGINEER: C KUMARSWAMY 08-OCT-14

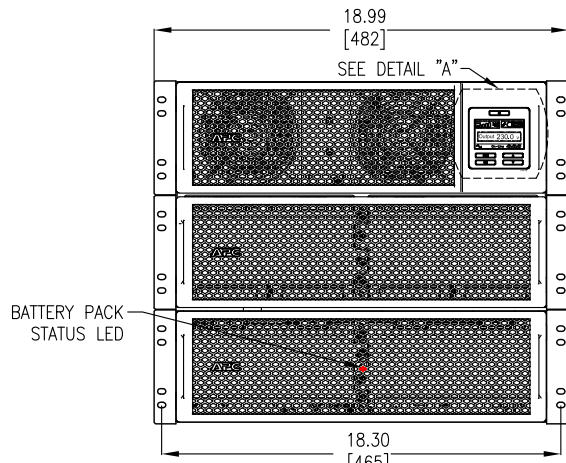
APPROVED BY: M BEG 08-OCT-14

REV 0

THIRD ANGLE PROJ



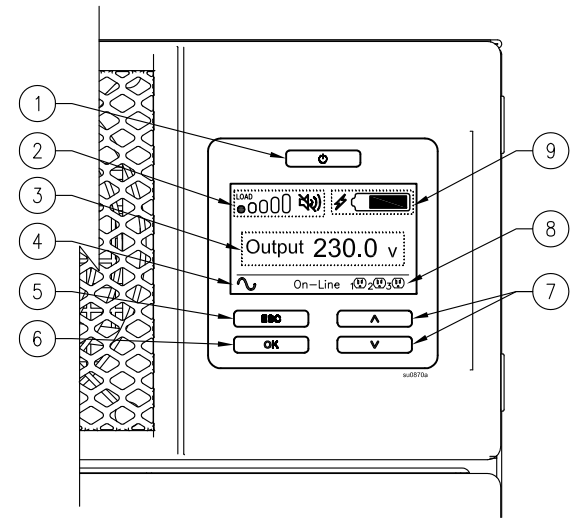
TOP VIEW



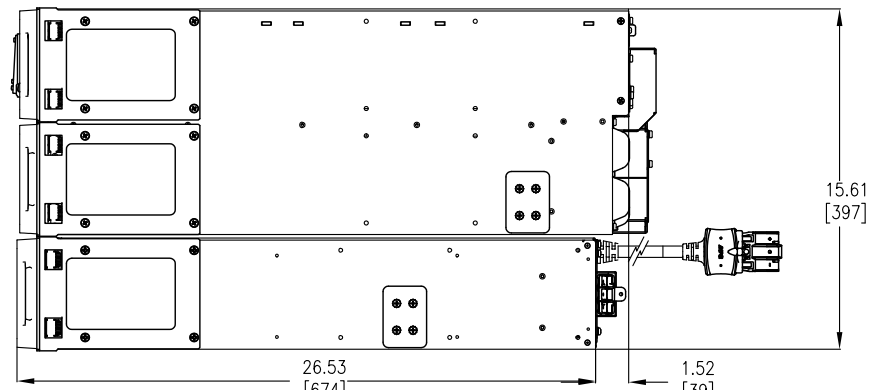
FRONT VIEW

DISPLAY INTERFACE:

1. POWER "ON/OFF" BUTTON.
2. LOAD ICON, DISABLE/MUTE AUDIBLE ALARM ICON.
3. UPS STATUS INFORMATION.
4. OPERATION MODE ICONS.
5. "ESCAPE" BUTTON.
6. "OK" BUTTON.
7. "UP/DOWN" BUTTONS.
8. CONTROLLABLE OUTLET GROUP STATUS ICONS.
9. BATTERY STATUS ICONS.



DETAIL "A" - ENLARGED VIEW



SIDE VIEW

NOTES:

1. INSTALLATION SHALL COMPLY WITH ALL APPLICABLE NATIONAL, STATE AND LOCAL CODES.
2. PLEASE REFER TO PRODUCT DOCUMENTATION FOR FURTHER INFORMATION.
3. UNLESS OTHERWISE SPECIFIED, ALL DIMENSIONS ARE IN INCHES [MILLIMETERS].
4. WEIGHT OF UNIT IS 446.20 LBS [202.82 KG].
5. CABLE ENTRY FROM REAR SIDE OF UNIT.

THIS DRAWING AND SPECIFICATIONS HEREIN ARE THE PROPERTY OF SCHNEIDER ELECTRIC AND SHALL NOT BE COPIED, REPRODUCED OR USED IN WHOLE OR IN PART, AS THE BASIS FOR THE MANUFACTURE OR SALE OF ITEMS WITHOUT WRITTEN PERMISSION FROM SCHNEIDER ELECTRIC. THIS DRAWING IS BASED UPON LATEST AVAILABLE INFORMATION AND IS SUBJECT TO CHANGE WITHOUT NOTICE.



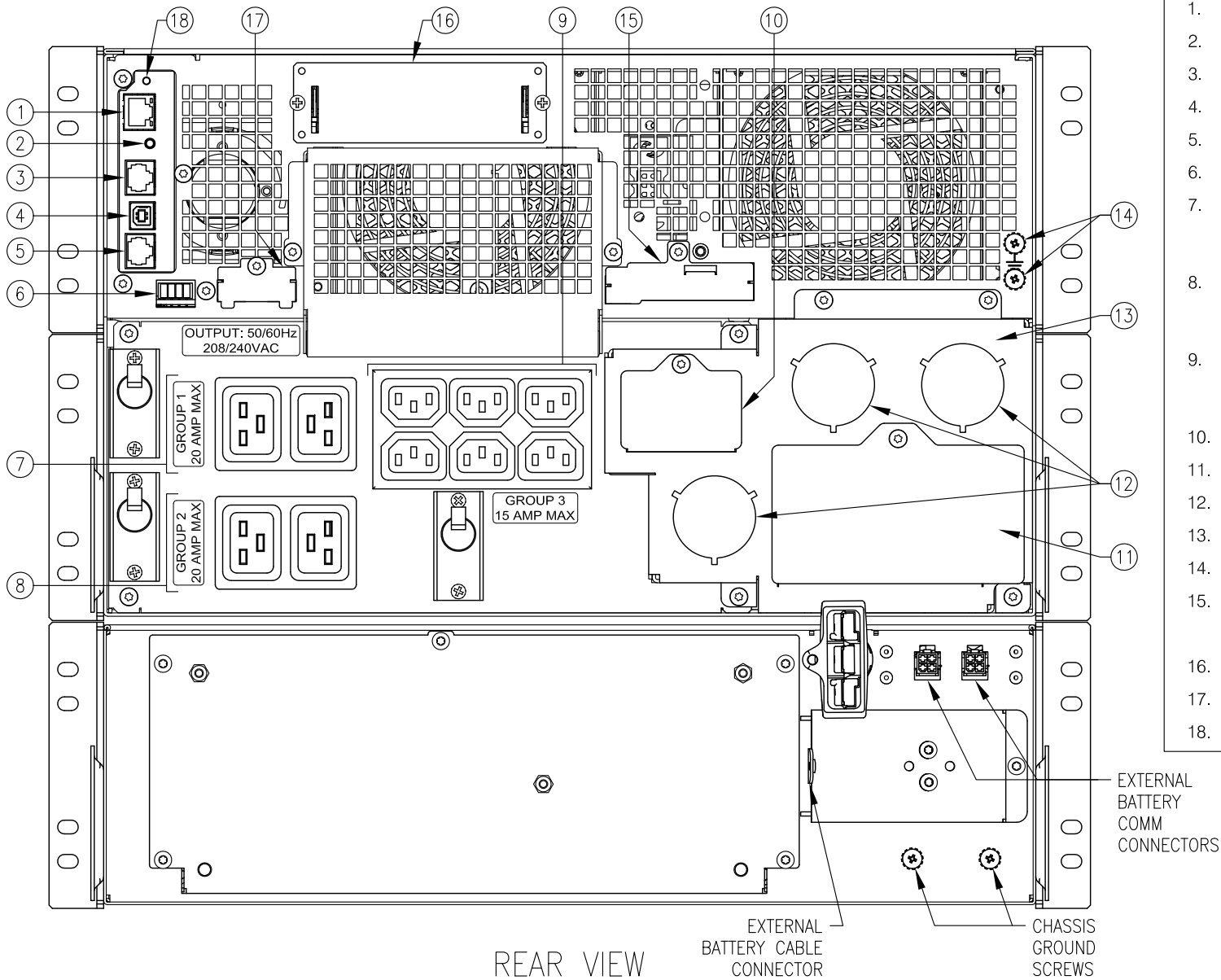
TITLE: Smart-UPS On-Line (SRT)
 SRT8KRMXL1-IEC + SRT192RMBP2 - RACKMOUNT
 INPUT: 208/240V, 3W (L1+L2+G), HARDWIRE
 OUTPUT: 208/240V, (1) HARDWIRE, 3-WIRE (L1+L2+G),
 (6) IEC 320 C13, (4) IEC 320 C19
 BAYED MAIN MECHANICAL

PROJECT: STD SUBMITTAL DRAWING SHEET 8 of 11

DWG NO: SRT8KRMXL1-IEC+SRT192RMBP2
 DRAWN BY: S CUNHA 08-OCT-14
 ENGINEER: C KUMARSWAMY 08-OCT-14
 APPROVED BY: M BEG 08-OCT-14

REV 0
 THIRD ANGLE PROJ

SRT8KRMXLT-IEC: (NUMBERING PER OPERATIONS MANUAL)



1. NETWORK PORT
2. CONSOLE PORT
3. UNIVERSAL I/O PORT
4. USB PORT
5. SERIAL COM
6. EPO TERMINAL
7. CONTROLLABLE OUTLET GROUP 1
[(2) IEC 320 C19] WITH CIRCUIT BREAKER
8. CONTROLLABLE OUTLET GROUP 2
[(2) IEC 320 C19] WITH CIRCUIT BREAKER
9. CONTROLLABLE OUTLET GROUP 3
[(6) IEC 320 C13] WITH CIRCUIT BREAKER
10. AC OUTPUT INSPECTION PANEL
11. AC INPUT INSPECTION PANEL
12. AC HARDWIRE KNOCKOUTS
13. HARDWIRE BOX INPUT/OUTPUT
14. CHASSIS GROUND SCREWS
15. EXTERNAL BATTERY POWER AND COMMUNICATION CONNECTORS
16. SMART SLOT
17. PRL COMM PORT
18. RESET BUTTON

REAR VIEW

EXTERNAL BATTERY CABLE CONNECTOR

CHASSIS GROUND SCREWS

EXTERNAL BATTERY COMM CONNECTORS

NOTES:

1. INSTALLATION SHALL COMPLY WITH ALL APPLICABLE NATIONAL, STATE AND LOCAL CODES.
2. PLEASE REFER TO PRODUCT DOCUMENTATION FOR FURTHER INFORMATION.

THIS DRAWING AND SPECIFICATIONS HEREIN ARE THE PROPERTY OF SCHNEIDER ELECTRIC AND SHALL NOT BE COPIED, REPRODUCED OR USED IN WHOLE OR IN PART, AS THE BASIS FOR THE MANUFACTURE OR SALE OF ITEMS WITHOUT WRITTEN PERMISSION FROM SCHNEIDER ELECTRIC. THIS DRAWING IS BASED UPON LATEST AVAILABLE INFORMATION AND IS SUBJECT TO CHANGE WITHOUT NOTICE.



TITLE: Smart-UPS On-Line (SRT)
SRT8KRMXLT-IEC + SRT192RMBP2 - RACKMOUNT
INPUT: 208/240V, 3W (L1+L2+G), HARDWIRE
OUTPUT: 208/240V, (1) HARDWIRE, 3-WIRE (L1+L2+G), (6) IEC 320 C13, (4) IEC 320 C19
BAYED REAR VIEW

PROJECT: STD SUBMITTAL DRAWING SHEET 9 of 11

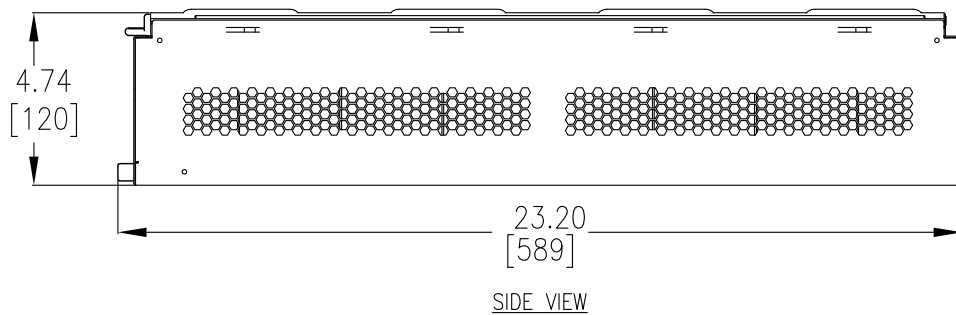
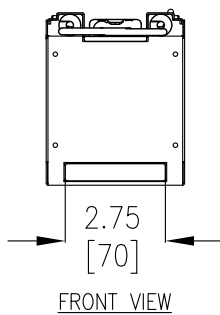
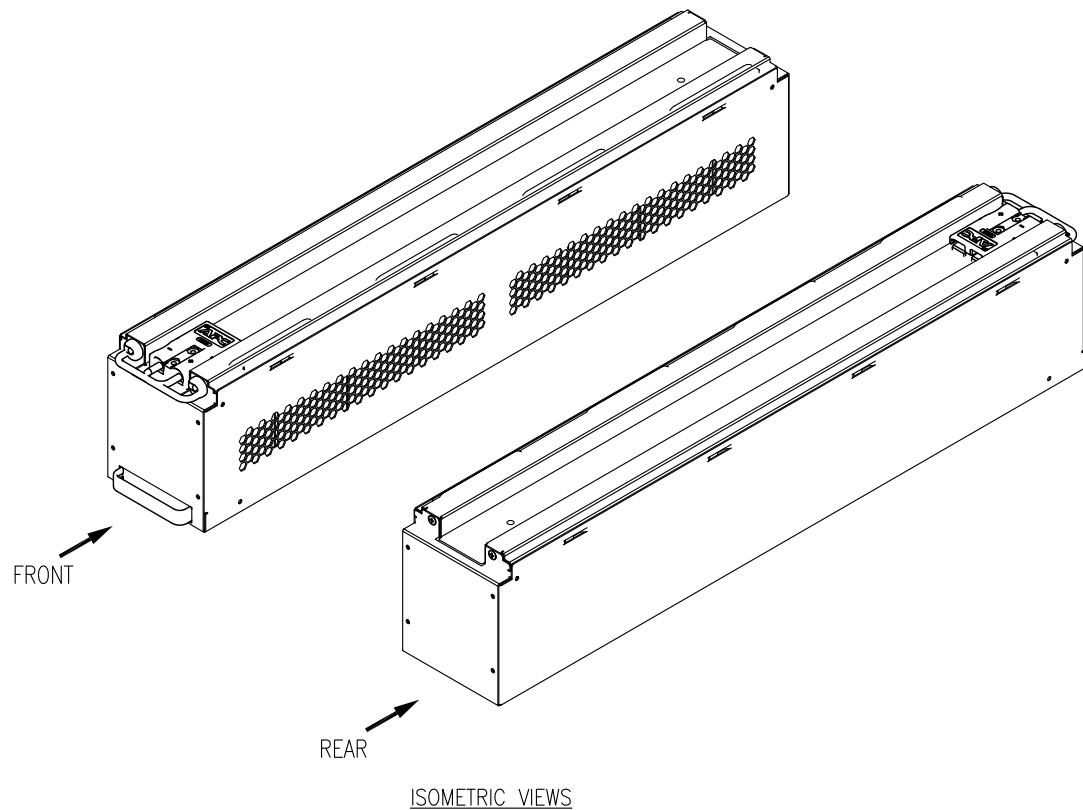
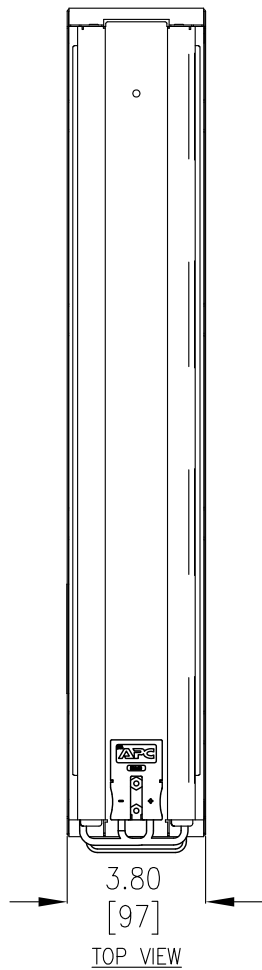
DWG NO: SRT8KRMXLT-IEC+SRT192RMBP2

DRAWN BY: S CUNHA 08-OCT-14

ENGINEER: C KUMARSWAMY 08-OCT-14

APPROVED BY: M BEG 08-OCT-14

REV 0
THIRD ANGLE PROJ



NOTES:

1. INSTALLATION SHALL COMPLY WITH ALL APPLICABLE NATIONAL, STATE AND LOCAL CODES.
2. PLEASE REFER TO PRODUCT DOCUMENTATION FOR FURTHER INFORMATION.
3. UNLESS OTHERWISE SPECIFIED, ALL DIMENSIONS ARE IN INCHES [MILLIMETERS].
4. THE APC BATTERY REPLACEMENT CARTRIDGE, APCRBC140, CONSISTS OF (2) BATTERY MODULES.

THIS DRAWING AND SPECIFICATIONS HEREIN ARE THE PROPERTY OF SCHNEIDER ELECTRIC AND SHALL NOT BE COPIED, REPRODUCED OR USED IN WHOLE OR IN PART, AS THE BASIS FOR THE MANUFACTURE OR SALE OF ITEMS WITHOUT WRITTEN PERMISSION FROM SCHNEIDER ELECTRIC. THIS DRAWING IS BASED UPON LATEST AVAILABLE INFORMATION AND IS SUBJECT TO CHANGE WITHOUT NOTICE.



TITLE: Smart-UPS On-Line (SRT)
SRT8KRMXL1-IEC + SRT192RMBP2 - RACKMOUNT
INPUT: 208/240V, 3W (L1+L2+G), HARDWIRE
OUTPUT: 208/240V, (1) HARDWIRE, 3-WIRE (L1+L2+G),
(6)IEC 320 C13, (4)IEC 320 C19
APC REPLACEMENT BATTERY CARTRIDGE #140

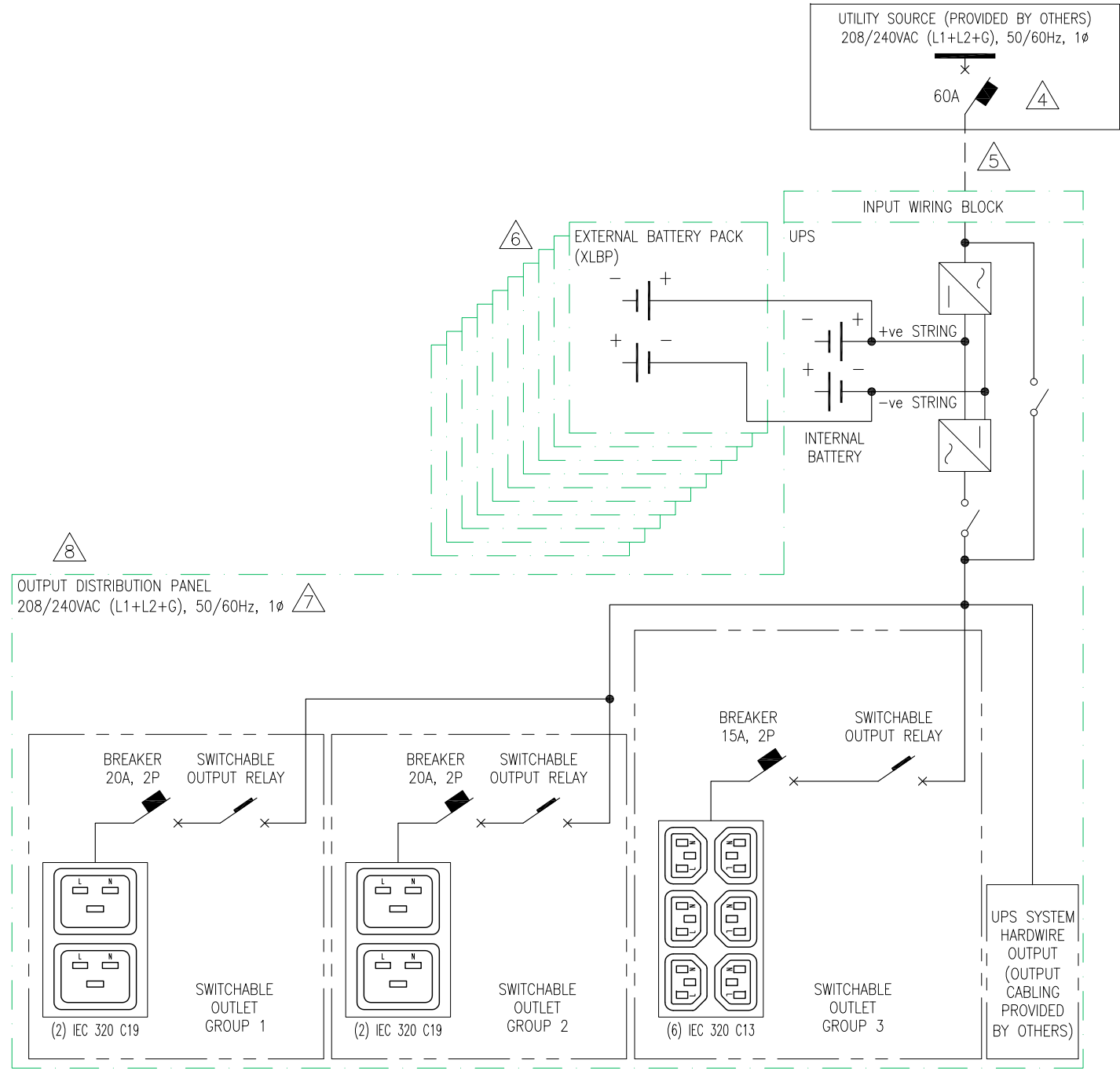
PROJECT: STD SUBMITTAL DRAWING SHEET 10 of 11

DWG NO: SRT8KRMXL1-IEC+SRT192RMBP2

| | |
|------------------------|-----------|
| DRAWN BY: S CUNHA | 08-OCT-14 |
| ENGINEER: C KUMARSWAMY | 08-OCT-14 |
| APPROVED BY: M BEG | 08-OCT-14 |

REV 0

THIRD ANGLE PROJ



NOTES:

1. INSTALLATION SHALL COMPLY WITH ALL APPLICABLE NATIONAL, STATE AND LOCAL CODES.
2. PLEASE REFER TO PRODUCT DOCUMENTATION FOR FURTHER INFORMATION.
3. STD SUBMITTAL DRAWING DEPICTS POWER SYSTEM CONNECTIONS AND IS NOT REPRESENTATIVE OF PHYSICAL LAYOUT. PLEASE REFER TO MECHANICAL STD SUBMITTAL DRAWINGS FOR MORE SPECIFIC PHYSICAL DATA.
- △4. UTILITY SOURCE MUST BE NOMINAL 208/240VAC (L1+L2+G), 50/60Hz, 1Ø, PROVIDED BY OTHERS.
- △5. DASHED LINES BETWEEN UNITS (-----) REPRESENT CABLING PROVIDED BY OTHERS.
- △6. ADDITIONAL EXTERNAL BATTERY PACKS (UP TO 10), CAN BE CONNECTED TO INCREASE THE RUN TIME FURTHER.
- △7. OUTPUT DISTRIBUTION PANEL CONTAINS SWITCHABLE OUTPUT GROUPS. REFER TO INSTALLATION MANUAL FOR DETAILED INSTRUCTIONS.
- △8. OPTIONAL PDU PANELS CAN BE PURCHASED SEPARATELY & INSTALLED TO PROVIDE ALTERNATIVE LOAD CONNECTIONS.

THIS DRAWING AND SPECIFICATIONS HEREIN ARE THE PROPERTY OF SCHNEIDER ELECTRIC AND SHALL NOT BE COPIED, REPRODUCED OR USED IN WHOLE OR IN PART, AS THE BASIS FOR THE MANUFACTURE OR SALE OF ITEMS WITHOUT WRITTEN PERMISSION FROM SCHNEIDER ELECTRIC. THIS DRAWING IS BASED UPON LATEST AVAILABLE INFORMATION AND IS SUBJECT TO CHANGE WITHOUT NOTICE.



TITLE: Smart-UPS On-Line (SRT)
 SRT8KRMXL1-IEC + SRT192RMBP2 - RACKMOUNT
 INPUT: 208/240V, 3W (L1+L2+G), HARDWARE
 OUTPUT: 208/240V, (1) HARDWARE, 3-WIRE (L1+L2+G),
 (6) IEC 320 C13, (4) IEC 320 C19
 SYSTEM SINGLE-LINE DIAGRAM
 PROJECT: STD SUBMITTAL DRAWING SHEET 11 of 11

DWG NO: SRT8KRMXL1-IEC+SRT192RMBP2
 DRAWN BY: S CUNHA 08-OCT-14
 ENGINEER: C JAYARAMAN 08-OCT-14
 APPROVED BY: M BEG 08-OCT-14

REV 0
 PROJ ANGLE N/A