

NOTES:

1. INSTALLATION SHALL COMPLY WITH ALL APPLICABLE NATIONAL AND LOCAL CODES.
2. SEE PRODUCT DOCUMENTATION FOR FURTHER INFORMATION.

THIS DRAWING AND SPECIFICATIONS HEREIN ARE THE PROPERTY OF SCHNEIDER ELECTRIC AND SHALL NOT BE COPIED, REPRODUCED OR USED IN WHOLE OR IN PART, AS THE BASIS FOR THE MANUFACTURE OR SALE OF ITEMS WITHOUT WRITTEN PERMISSION FROM SCHNEIDER ELECTRIC. THIS DRAWING IS BASED UPON LATEST AVAILABLE INFORMATION AND IS SUBJECT TO CHANGE WITHOUT NOTICE.



TITLE: SMART-UPS RT (SURT)
 SRT6KRMXL-IEC + SRT192RMBP - RACKMOUNT
 INPUT: 208/240V, 3W (L1+L2+G), HARDWIRE
 OUTPUT: 208/240V, (1) HARDWIRE, 3-WIRE (L1+L2+G),
 (6) IEC 320 C13, (2) IEC 320 C19, (2) IEC 320 C19
 UPS ISOMETRIC VIEWS

PROJECT: STD SUBMITTAL DRAWING SHEET 1 of 11

DWG NO: SRT6KRMXL-IEC+SRT192RMBP

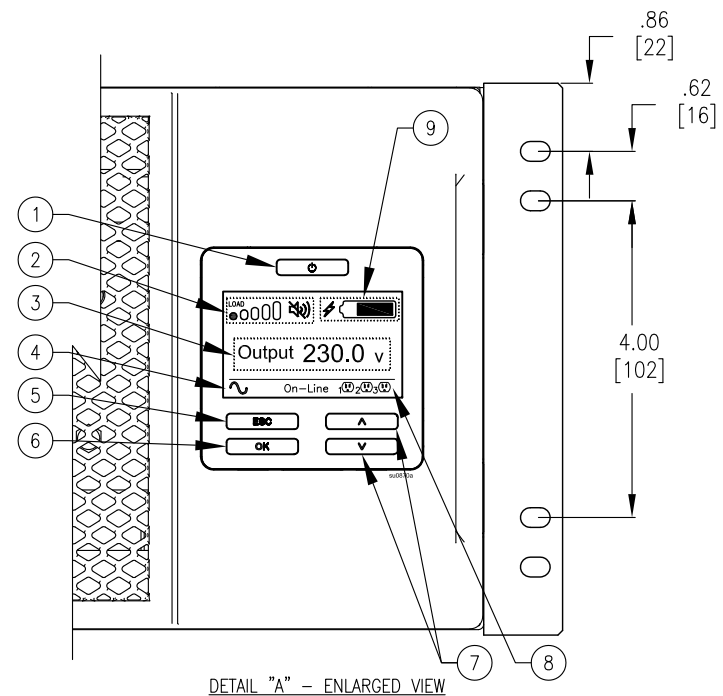
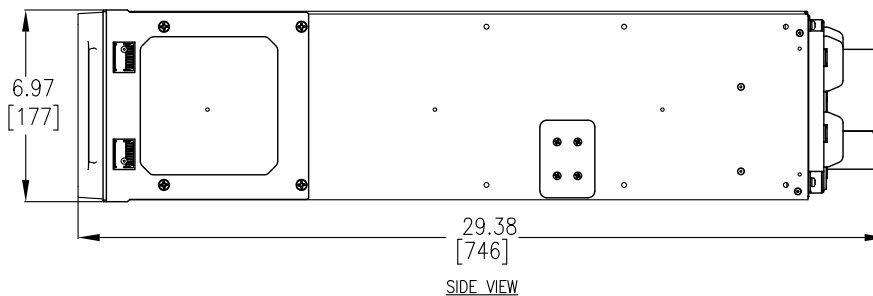
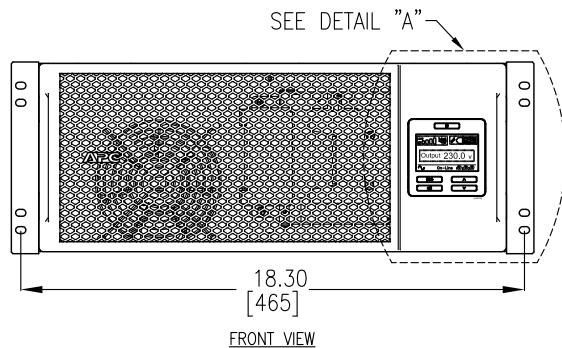
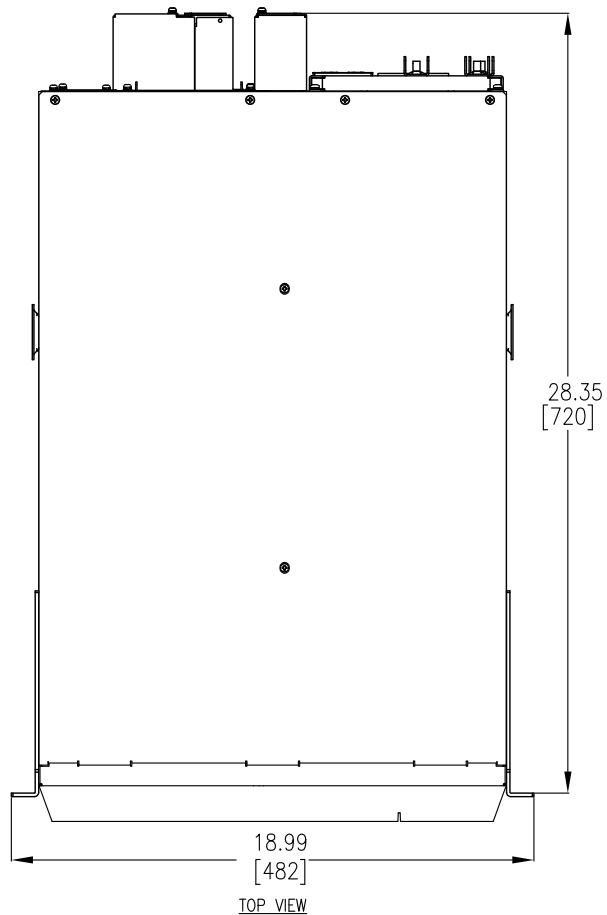
DRAWN BY: S CUNHA 08-OCT-14

ENGINEER: C KUMARSWAMY 08-OCT-14

APPROVED BY: M BEG 08-OCT-14

REV 0

THIRD
 ANGLE
 PROJ



DISPLAY INTERFACE:

1. POWER "ON/OFF" BUTTON.
2. LOAD ICON, DISABLE/MUTE AUDIBLE ALARM ICON.
3. UPS STATUS INFORMATION.
4. OPERATION MODE ICONS.
5. "ESCAPE" BUTTON.
6. "OK" BUTTON.
7. "UP/DOWN" BUTTONS.
8. CONTROLLABLE OUTLET GROUP STATUS ICONS.
9. BATTERY STATUS ICONS.

NOTES:

1. INSTALLATION SHALL COMPLY WITH ALL APPLICABLE NATIONAL, STATE AND LOCAL CODES.
2. PLEASE REFER TO PRODUCT DOCUMENTATION FOR FURTHER INFORMATION.
3. UNLESS OTHERWISE SPECIFIED, ALL DIMENSIONS ARE IN INCHES [MILLIMETERS].
4. WEIGHT OF UNIT IS 128.00 LBS [58.18 KG].
5. CABLE ENTRY FROM REAR SIDE OF UNIT.

THIS DRAWING AND SPECIFICATIONS HEREIN ARE THE PROPERTY OF SCHNEIDER ELECTRIC AND SHALL NOT BE COPIED, REPRODUCED OR USED IN WHOLE OR IN PART, AS THE BASIS FOR THE MANUFACTURE OR SALE OF ITEMS WITHOUT WRITTEN PERMISSION FROM SCHNEIDER ELECTRIC. THIS DRAWING IS BASED UPON LATEST AVAILABLE INFORMATION AND IS SUBJECT TO CHANGE WITHOUT NOTICE.



TITLE: SMART-UPS RT (SURT)
SRT6KRMXL-IEC + SRT192RMBP - BACKMOUNT
INPUT: 208/240V, 3W (L1+L2+G), HARDWIRE
OUTPUT: 208/240V, (1) HARDWIRE, 3-WIRE (L1+L2+G),
(6)IEC 320 C13, (2)IEC 320 C19, (2)IEC 320 C19
UPS MAIN MECHANICAL

PROJECT: STD SUBMITTAL DRAWING SHEET 2 of 11

DWG NO: SRT6KRMXL-IEC+SRT192RMBP

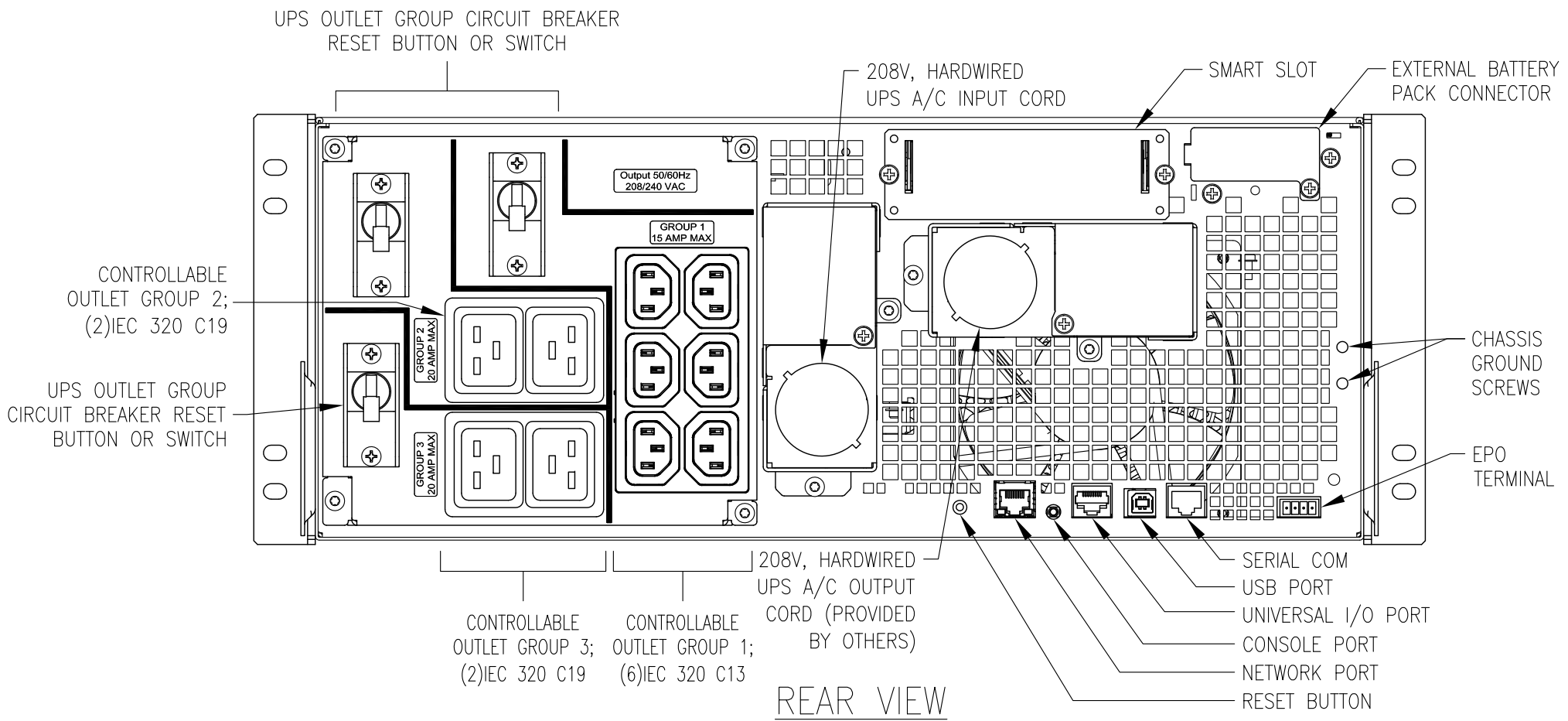
DRAWN BY: S CUNHA 08-OCT-14

ENGINEER: C KUMARSWAMY 08-OCT-14

APPROVED BY: M BEG 08-OCT-14

REV 0

THIRD ANGLE PROJ



REAR VIEW

- NOTES:**
1. INSTALLATION SHALL COMPLY WITH ALL APPLICABLE NATIONAL, STATE AND LOCAL CODES.
 2. PLEASE REFER TO PRODUCT DOCUMENTATION FOR FURTHER INFORMATION.

THIS DRAWING AND SPECIFICATIONS HEREIN ARE THE PROPERTY OF SCHNEIDER ELECTRIC AND SHALL NOT BE COPIED, REPRODUCED OR USED IN WHOLE OR IN PART, AS THE BASIS FOR THE MANUFACTURE OR SALE OF ITEMS WITHOUT WRITTEN PERMISSION FROM SCHNEIDER ELECTRIC. THIS DRAWING IS BASED UPON LATEST AVAILABLE INFORMATION AND IS SUBJECT TO CHANGE WITHOUT NOTICE.



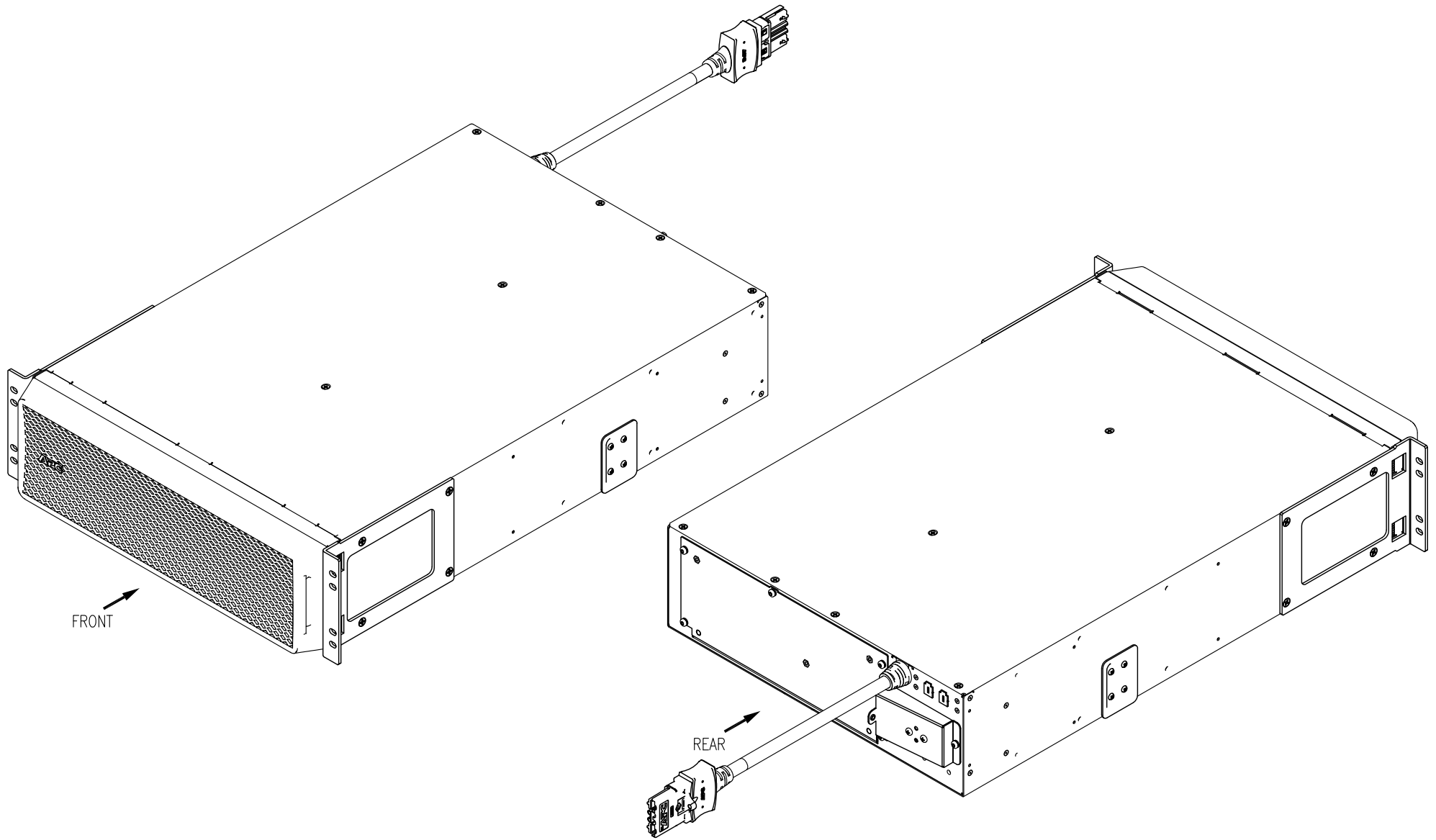
TITLE: SMART-UPS RT (SURT)
 SRT6KRMXLT-IEC + SRT192RMBP - BACKMOUNT
 INPUT: 208/240V, 3W (L1+L2+G), HARDWIRE
 OUTPUT: 208/240V, (1) HARDWIRE, 3-WIRE (L1+L2+G),
 (6)IEC 320 C13, (2)IEC 320 C19, (2)IEC 320 C19
 UPS REAR VIEW

PROJECT: STD SUBMITTAL DRAWING **SHEET** 3 of 11

DWG NO: SRT6KRMXLT-IEC+SRT192RMBP

DRAWN BY: S CUNHA 08-OCT-14
ENGINEER: C KUMARSWAMY 08-OCT-14
APPROVED BY: M BEG 08-OCT-14

REV 0
THIRD ANGLE PROJ



NOTES:

1. INSTALLATION SHALL COMPLY WITH ALL APPLICABLE NATIONAL AND LOCAL CODES.
2. SEE PRODUCT DOCUMENTATION FOR FURTHER INFORMATION.

THIS DRAWING AND SPECIFICATIONS HEREIN ARE THE PROPERTY OF SCHNEIDER ELECTRIC AND SHALL NOT BE COPIED, REPRODUCED OR USED IN WHOLE OR IN PART, AS THE BASIS FOR THE MANUFACTURE OR SALE OF ITEMS WITHOUT WRITTEN PERMISSION FROM SCHNEIDER ELECTRIC. THIS DRAWING IS BASED UPON LATEST AVAILABLE INFORMATION AND IS SUBJECT TO CHANGE WITHOUT NOTICE.



TITLE: SMART-UPS RT (SURT)
 SRT6KRMXL-IEC + SRT192RMBP - RACKMOUNT
 INPUT: 208/240V, 3W (L1+L2+G), HARDWIRE
 OUTPUT: 208/240V, (1) HARDWIRE, 3-WIRE (L1+L2+G),
 (6)IEC 320 C13, (2)IEC 320 C19, (2)IEC 320 C19
 XBP ISOMETRIC VIEWS

PROJECT: STD SUBMITTAL DRAWING SHEET 4 of 11

DWG NO: SRT6KRMXL-IEC+SRT192RMBP

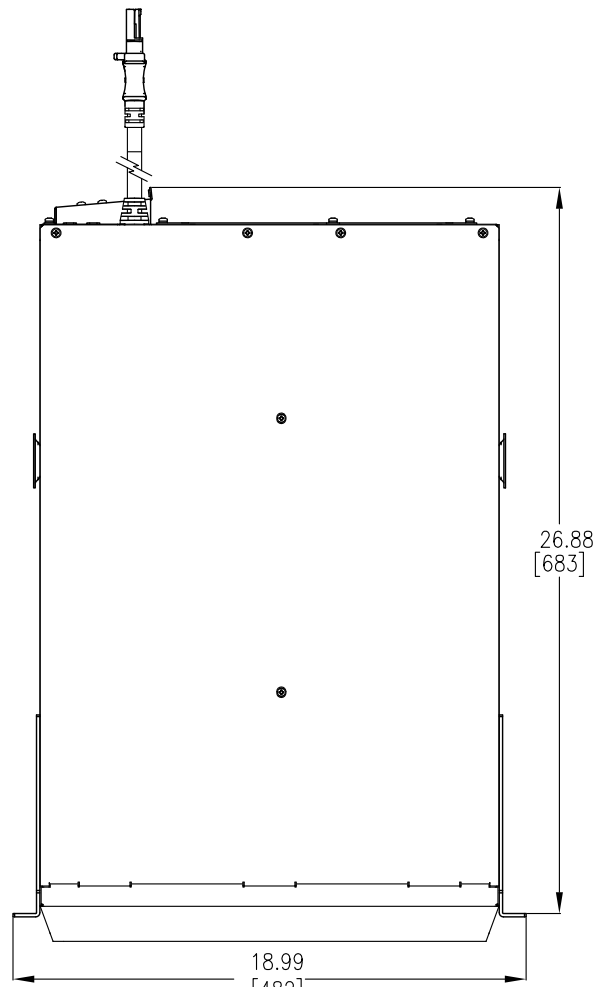
DRAWN BY: S CUNHA 08-OCT-14

ENGINEER: C KUMARSWAMY 08-OCT-14

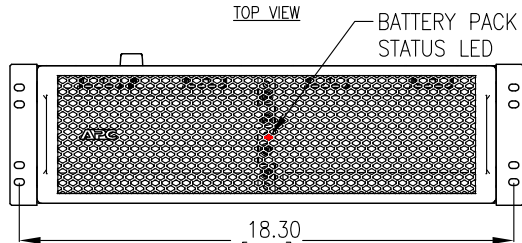
APPROVED BY: M BEG 08-OCT-14

REV 0

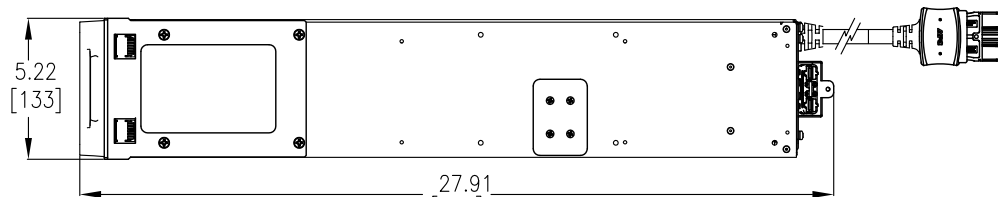
THIRD ANGLE PROJ



TOP VIEW



FRONT VIEW



SIDE VIEW

NOTES:

1. INSTALLATION SHALL COMPLY WITH ALL APPLICABLE NATIONAL, STATE AND LOCAL CODES.
2. PLEASE REFER TO PRODUCT DOCUMENTATION FOR FURTHER INFORMATION.
3. UNLESS OTHERWISE SPECIFIED, ALL DIMENSIONS ARE IN INCHES [MILLIMETERS].
4. WEIGHT OF UNIT IS 200.20 LBS [91.00 KG].
5. CABLE ENTRY FROM REAR SIDE OF UNIT.

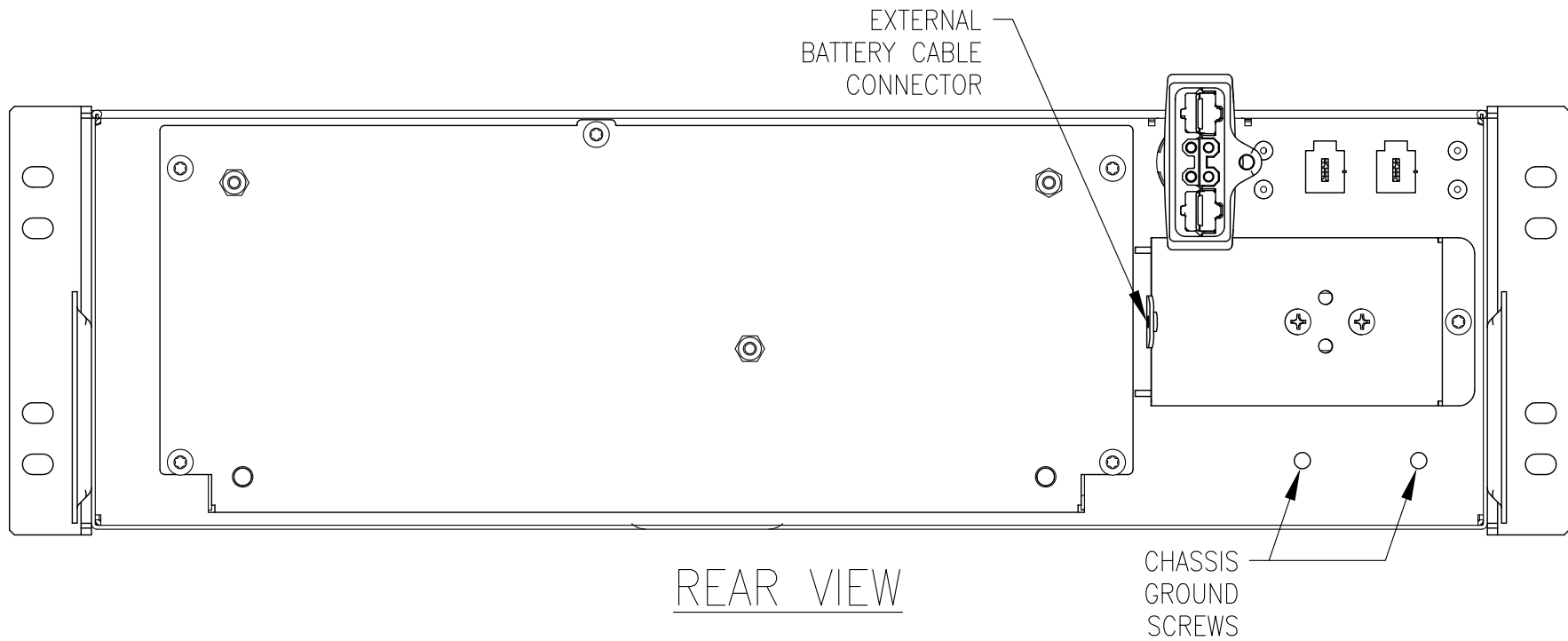
THIS DRAWING AND SPECIFICATIONS HEREIN ARE THE PROPERTY OF SCHNEIDER ELECTRIC AND SHALL NOT BE COPIED, REPRODUCED OR USED IN WHOLE OR IN PART, AS THE BASIS FOR THE MANUFACTURE OR SALE OF ITEMS WITHOUT WRITTEN PERMISSION FROM SCHNEIDER ELECTRIC. THIS DRAWING IS BASED UPON LATEST AVAILABLE INFORMATION AND IS SUBJECT TO CHANGE WITHOUT NOTICE.



TITLE: SMART-UPS RT (SURT)
 SRT6KRMXL-IEC + SRT192RMBP - RACKMOUNT
 INPUT: 208/240V, 3W (L1+L2+G), HARDWIRE
 OUTPUT: 208/240V, (1) HARDWIRE, 3-WIRE (L1+L2+G),
 (6)IEC 320 C13, (2)IEC 320 C19, (2)IEC 320 C19
 XBP MAIN MECHANICAL
 PROJECT: STD SUBMITTAL DRAWING SHEET 5 of 11

DWG NO: SRT6KRMXL-IEC+SRT192RMBP
 DRAWN BY: S CUNHA 08-OCT-14
 ENGINEER: C KUMARSWAMY 08-OCT-14
 APPROVED BY: M BEG 08-OCT-14

REV 0
 THIRD ANGLE PROJ



NOTES:

1. INSTALLATION SHALL COMPLY WITH ALL APPLICABLE NATIONAL, STATE AND LOCAL CODES.
2. PLEASE REFER TO PRODUCT DOCUMENTATION FOR FURTHER INFORMATION.

THIS DRAWING AND SPECIFICATIONS HEREIN ARE THE PROPERTY OF SCHNEIDER ELECTRIC AND SHALL NOT BE COPIED, REPRODUCED OR USED IN WHOLE OR IN PART, AS THE BASIS FOR THE MANUFACTURE OR SALE OF ITEMS WITHOUT WRITTEN PERMISSION FROM SCHNEIDER ELECTRIC. THIS DRAWING IS BASED UPON LATEST AVAILABLE INFORMATION AND IS SUBJECT TO CHANGE WITHOUT NOTICE.



TITLE: SMART-UPS RT (SURT)
 SRT6KRMXL-IEC + SRT192RMBP - RACKMOUNT
 INPUT: 208/240V, 3W (L1+L2+G), HARDWIRE
 OUTPUT: 208/240V, (1) HARDWIRE, 3-WIRE (L1+L2+G),
 (6)IEC 320 C13, (2)IEC 320 C19, (2)IEC 320 C19
 XBP REAR VIEW

PROJECT: STD SUBMITTAL DRAWING SHEET 6 of 11

DWG NO: SRT6KRMXL-IEC+SRT192RMBP

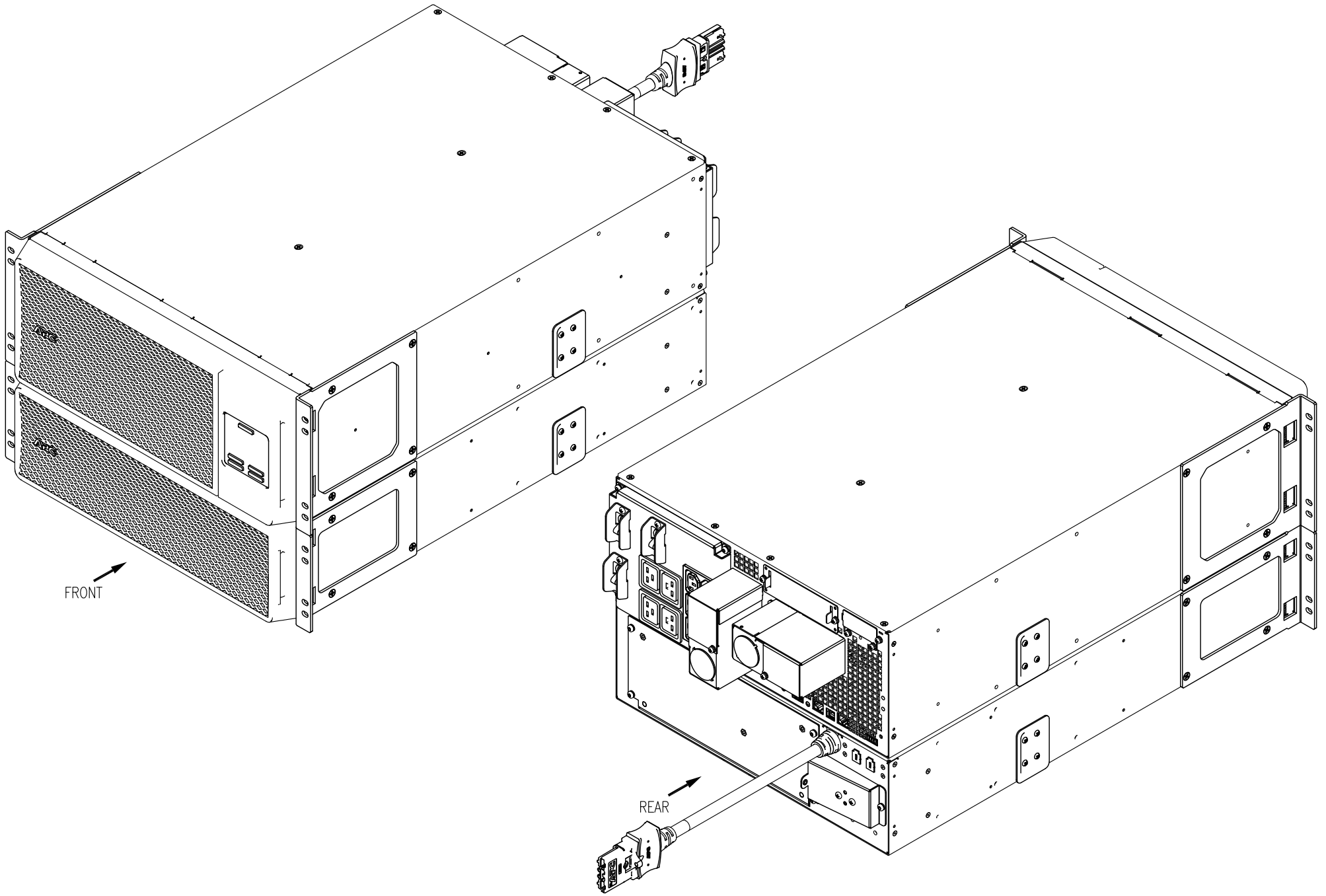
DRAWN BY: S CUNHA 08-OCT-14

ENGINEER: C KUMARSWAMY 08-OCT-14

APPROVED BY: M BEG 08-OCT-14

REV 0

THIRD ANGLE PROJ



NOTES:

1. INSTALLATION SHALL COMPLY WITH ALL APPLICABLE NATIONAL AND LOCAL CODES.
2. SEE PRODUCT DOCUMENTATION FOR FURTHER INFORMATION.

THIS DRAWING AND SPECIFICATIONS HEREIN ARE THE PROPERTY OF SCHNEIDER ELECTRIC AND SHALL NOT BE COPIED, REPRODUCED OR USED IN WHOLE OR IN PART, AS THE BASIS FOR THE MANUFACTURE OR SALE OF ITEMS WITHOUT WRITTEN PERMISSION FROM SCHNEIDER ELECTRIC. THIS DRAWING IS BASED UPON LATEST AVAILABLE INFORMATION AND IS SUBJECT TO CHANGE WITHOUT NOTICE.



TITLE: SMART-UPS RT (SURT)
 SRT6KRMXL-IEC + SRT192RMBP - RACKMOUNT
 INPUT: 208/240V, 3W (L1+L2+G), HARDWIRE
 OUTPUT: 208/240V, (1) HARDWIRE, 3-WIRE (L1+L2+G),
 (6)IEC 320 C13, (2)IEC 320 C19, (2)IEC 320 C19
 BAYED ISOMETRIC VIEWS

PROJECT: STD SUBMITTAL DRAWING SHEET 7 of 11

DWG NO: SRT6KRMXL-IEC+SRT192RMBP

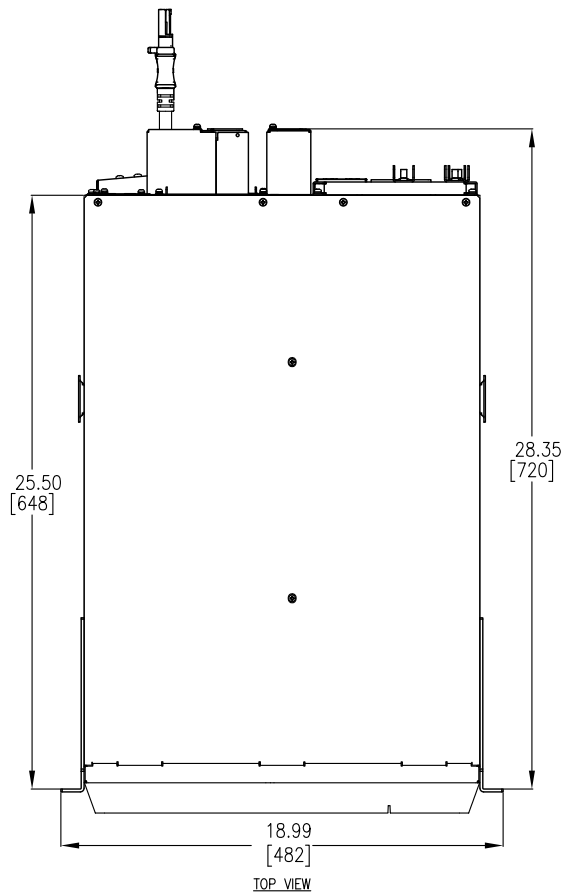
DRAWN BY: S CUNHA 08-OCT-14

ENGINEER: C KUMARSWAMY 08-OCT-14

APPROVED BY: M BEG 08-OCT-14

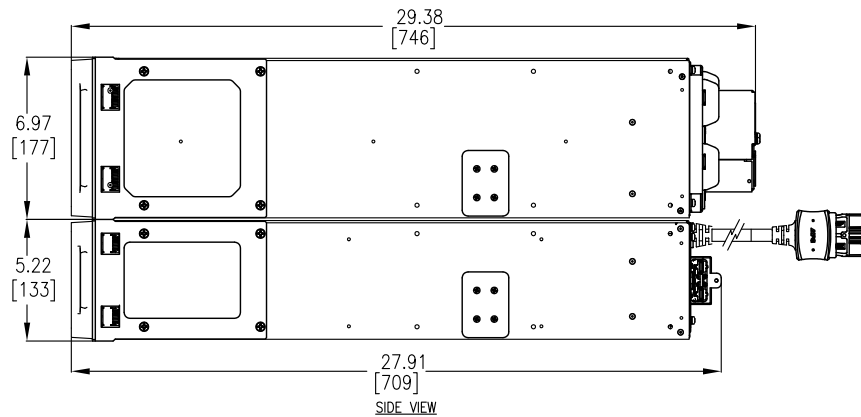
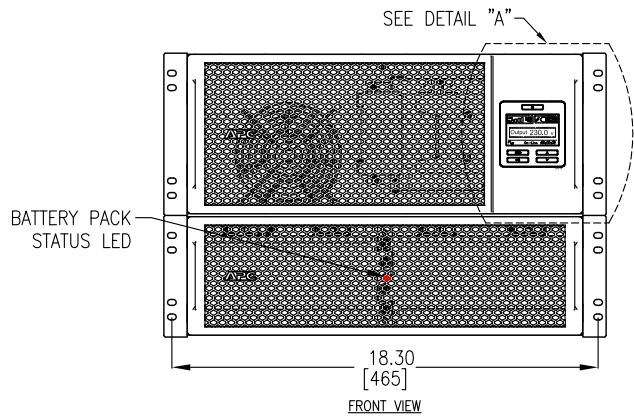
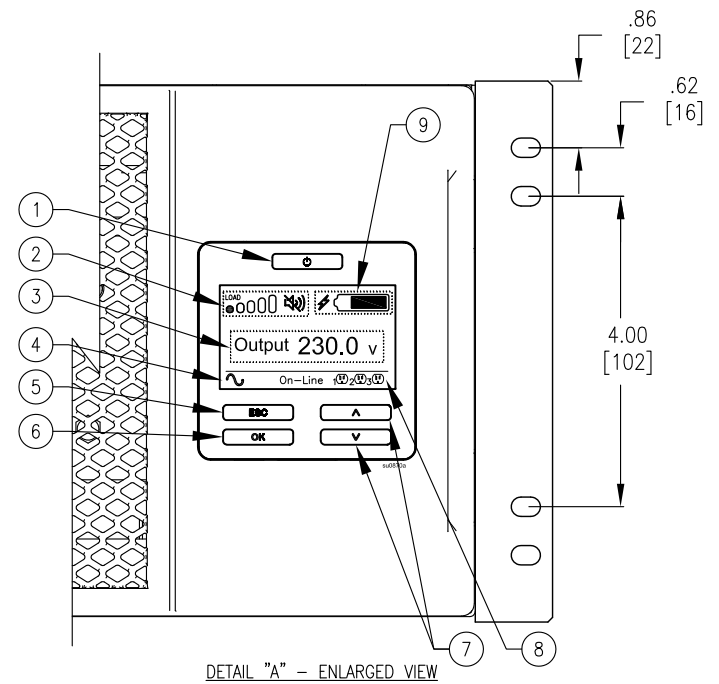
REV 0

THIRD
 ANGLE
 PROJ



DISPLAY INTERFACE:

1. POWER "ON/OFF" BUTTON.
2. LOAD ICON, DISABLE/MUTE AUDIBLE ALARM ICON.
3. UPS STATUS INFORMATION.
4. OPERATION MODE ICONS.
5. "ESCAPE" BUTTON.
6. "OK" BUTTON.
7. "UP/DOWN" BUTTONS.
8. CONTROLLABLE OUTLET GROUP STATUS ICONS.
9. BATTERY STATUS ICONS.



NOTES:

1. INSTALLATION SHALL COMPLY WITH ALL APPLICABLE NATIONAL, STATE AND LOCAL CODES.
2. PLEASE REFER TO PRODUCT DOCUMENTATION FOR FURTHER INFORMATION.
3. UNLESS OTHERWISE SPECIFIED, ALL DIMENSIONS ARE IN INCHES [MILLIMETERS].
4. WEIGHT OF UNIT IS 332.20 LBS [151.00 KG].
5. CABLE ENTRY FROM REAR SIDE OF UNIT.

THIS DRAWING AND SPECIFICATIONS HEREIN ARE THE PROPERTY OF SCHNEIDER ELECTRIC AND SHALL NOT BE COPIED, REPRODUCED OR USED IN WHOLE OR IN PART, AS THE BASIS FOR THE MANUFACTURE OR SALE OF ITEMS WITHOUT WRITTEN PERMISSION FROM SCHNEIDER ELECTRIC. THIS DRAWING IS BASED UPON LATEST AVAILABLE INFORMATION AND IS SUBJECT TO CHANGE WITHOUT NOTICE.



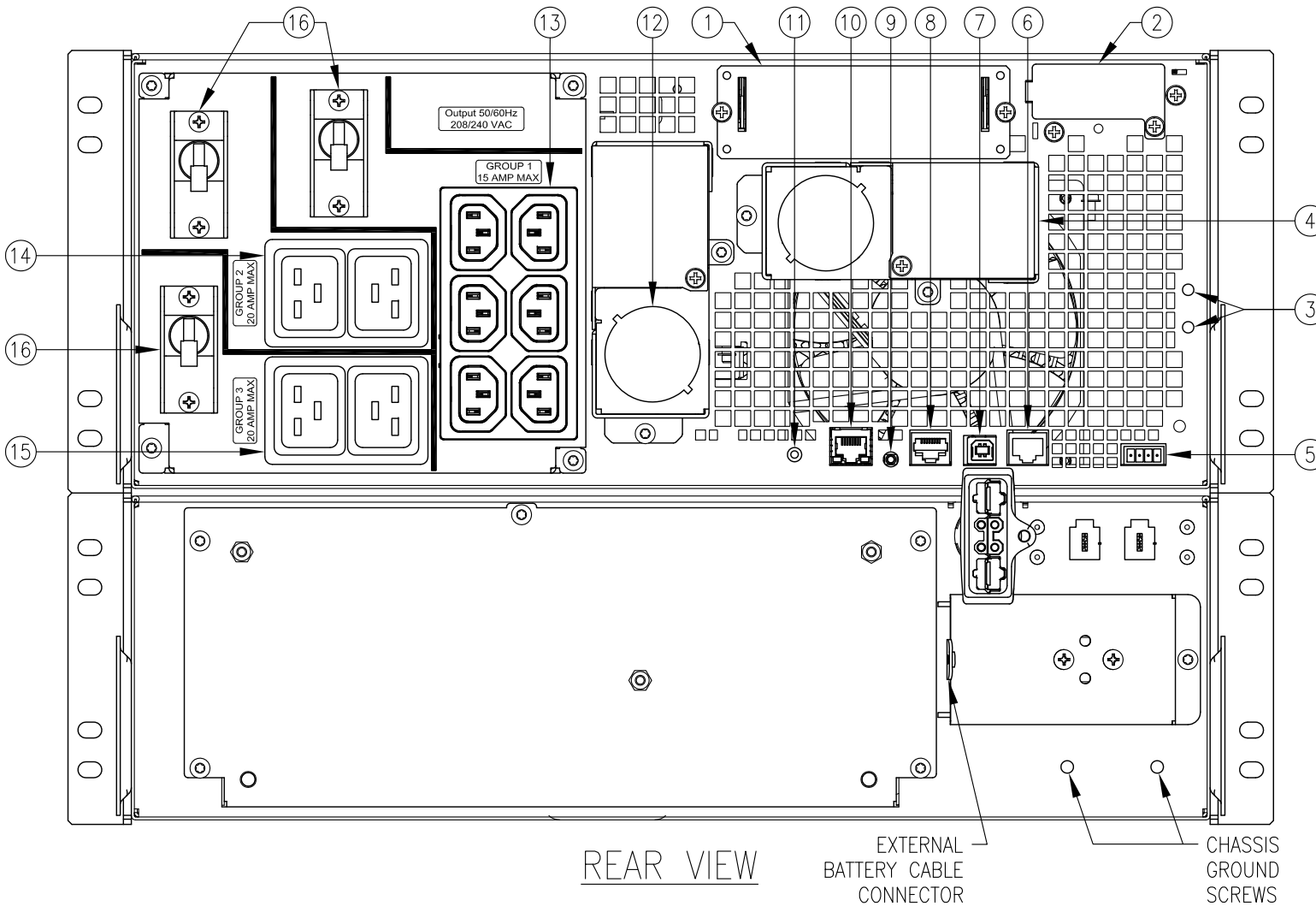
TITLE: SMART-UPS RT (SURT)
 SRT6KRMXL+IEC + SRT192RMBP - BACKMOUNT
 INPUT: 208/240V, 3W (L1+L2+G), HARDWIRE
 OUTPUT: 208/240V, (1) HARDWIRE, 3-WIRE (L1+L2+G),
 (6)IEC 320 C13, (2)IEC 320 C19, (2)IEC 320 C19
 BAYED MAIN MECHANICAL

PROJECT: STD SUBMITTAL DRAWING SHEET 8 of 11

DWG NO:	SRT6KRMXL+IEC+SRT192RMBP	REV	0
DRAWN BY:	S CUNHA	08-OCT-14	THIRD ANGLE PROJ
ENGINEER:	C KUMARSWAMY	08-OCT-14	
APPROVED BY:	M BEG	08-OCT-14	

SRT6KRMXLTI-IEC: (NUMBERING PER OPERATIONS MANUAL)

1. SMART SLOT
2. EXTERNAL BATTERY PACK CONNECTOR
3. CHASSIS GROUND SCREWS
4. 208V, HARDWIRED UPS A/C OUTPUT CORD (PROVIDED BY OTHERS)
5. EPO TERMINAL
6. SERIAL COM
7. USB PORT
8. UNIVERSAL I/O PORT
9. CONSOLE PORT
10. NETWORK PORT
11. RESET BUTTON
12. UPS INPUT POWER CABLE
13. CONTROLLABLE OUTLET GROUP 1 [(6)IEC 320 C13]
14. CONTROLLABLE OUTLET GROUP 2 [(2)IEC 320 C19]
15. CONTROLLABLE OUTLET GROUP 3 [(2)IEC 320 C19]
16. UPS OUTLET GROUP CIRCUIT BREAKER RESET BUTTON OR SWITCH



NOTES:

1. INSTALLATION SHALL COMPLY WITH ALL APPLICABLE NATIONAL, STATE AND LOCAL CODES.
2. PLEASE REFER TO PRODUCT DOCUMENTATION FOR FURTHER INFORMATION.

THIS DRAWING AND SPECIFICATIONS HEREIN ARE THE PROPERTY OF SCHNEIDER ELECTRIC AND SHALL NOT BE COPIED, REPRODUCED OR USED IN WHOLE OR IN PART, AS THE BASIS FOR THE MANUFACTURE OR SALE OF ITEMS WITHOUT WRITTEN PERMISSION FROM SCHNEIDER ELECTRIC. THIS DRAWING IS BASED UPON LATEST AVAILABLE INFORMATION AND IS SUBJECT TO CHANGE WITHOUT NOTICE.



TITLE: SMART-UPS RT (SURT)
 SRT6KRMXLTI-IEC + SRT192RMBP - RACKMOUNT
 INPUT: 208/240V, 3W (L1+L2+G), HARDWIRE
 OUTPUT: 208/240V, (1) HARDWIRE, 3-WIRE (L1+L2+G),
 (6)IEC 320 C13, (2)IEC 320 C19, (2)IEC 320 C19
 BAYED REAR VIEW

PROJECT: STD SUBMITTAL DRAWING SHEET 9 of 11

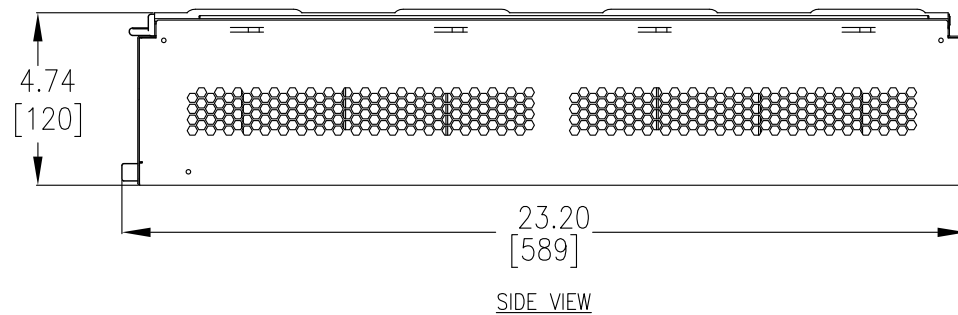
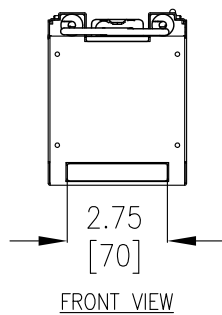
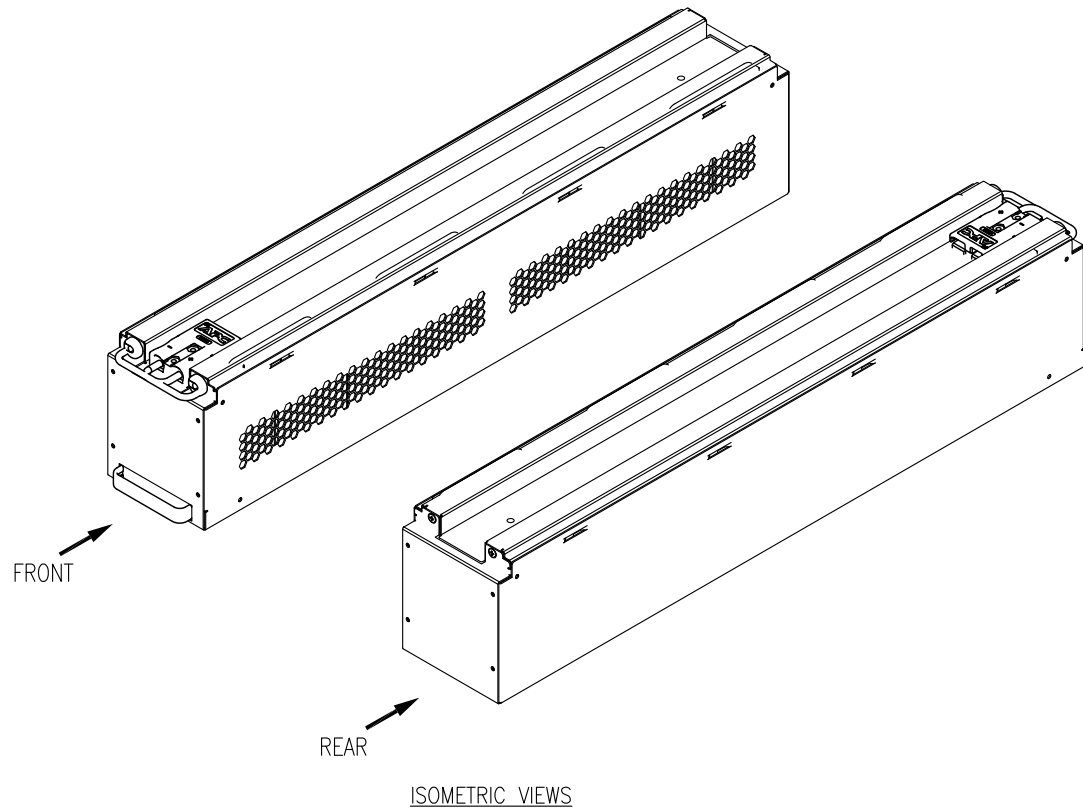
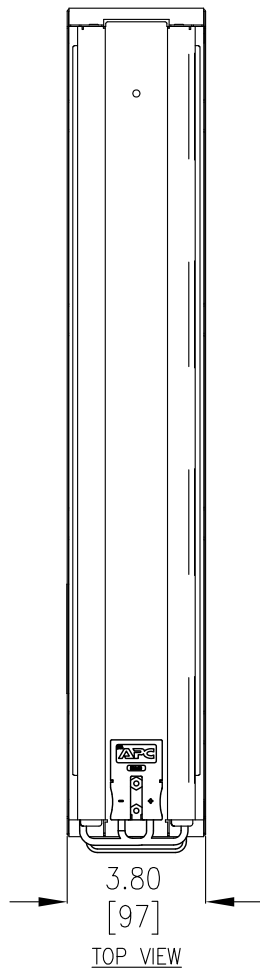
DWG NO: SRT6KRMXLTI-IEC+SRT192RMBP

DRAWN BY: S CUNHA 08-OCT-14

ENGINEER: C KUMARSWAMY 08-OCT-14

APPROVED BY: M BEG 08-OCT-14

REV 0
 THIRD ANGLE PROJ



NOTES:

1. INSTALLATION SHALL COMPLY WITH ALL APPLICABLE NATIONAL, STATE AND LOCAL CODES.
2. PLEASE REFER TO PRODUCT DOCUMENTATION FOR FURTHER INFORMATION.
3. UNLESS OTHERWISE SPECIFIED, ALL DIMENSIONS ARE IN INCHES [MILLIMETERS].
4. THE APC BATTERY REPLACEMENT CARTRIDGE, APCRBC140, CONSISTS OF (2) BATTERY MODULES.

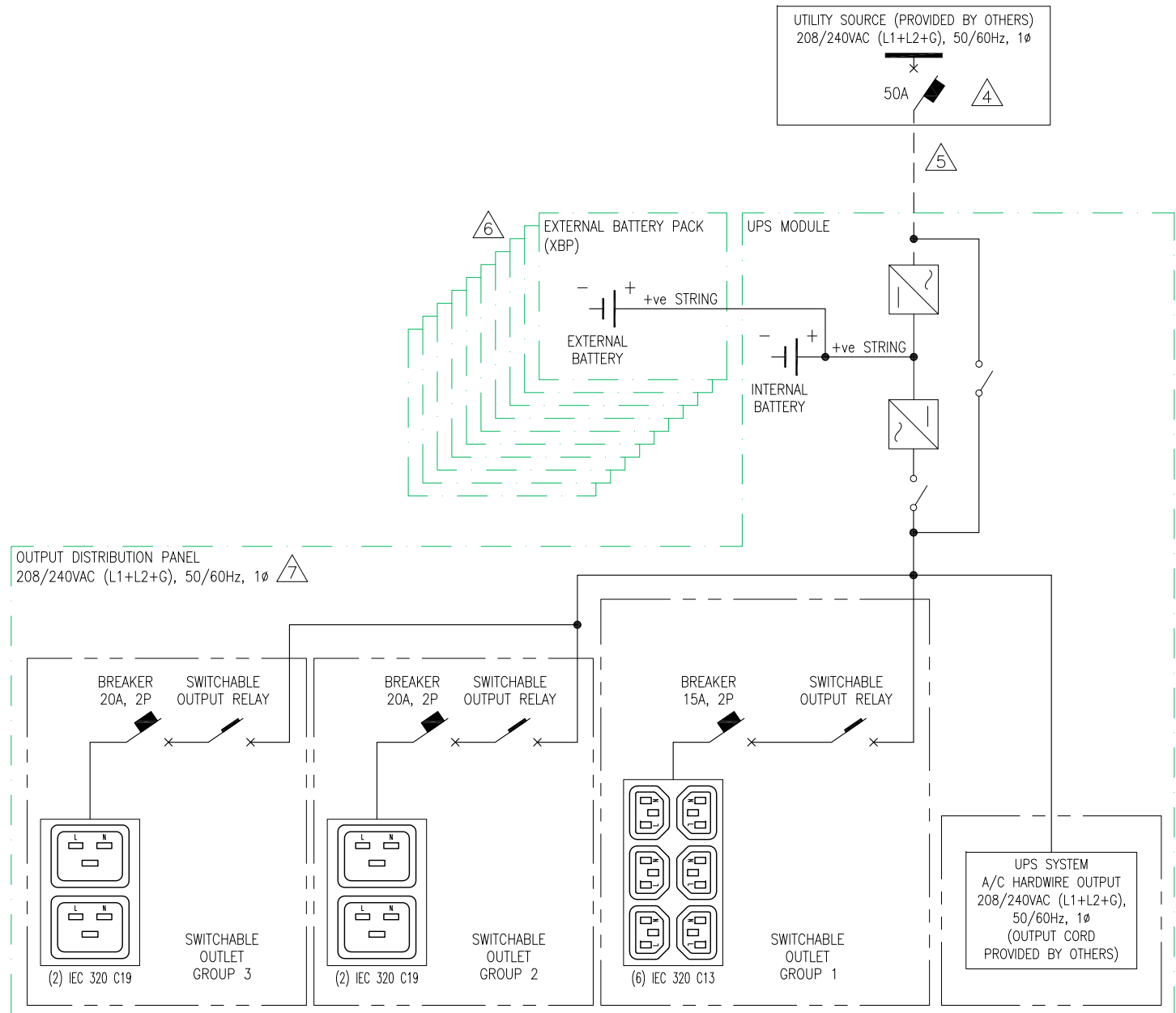
THIS DRAWING AND SPECIFICATIONS HEREIN ARE THE PROPERTY OF SCHNEIDER ELECTRIC AND SHALL NOT BE COPIED, REPRODUCED OR USED IN WHOLE OR IN PART, AS THE BASIS FOR THE MANUFACTURE OR SALE OF ITEMS WITHOUT WRITTEN PERMISSION FROM SCHNEIDER ELECTRIC. THIS DRAWING IS BASED UPON LATEST AVAILABLE INFORMATION AND IS SUBJECT TO CHANGE WITHOUT NOTICE.



TITLE: SMART-UPS RT (SURT)
SRT6KRMXL1-IEC + SRT192RMBP - RACKMOUNT
INPUT: 208/240V, 3W (L1+L2+G), HARDWIRE
OUTPUT: 208/240V, (1) HARDWIRE, 3-WIRE (L1+L2+G),
(6)IEC 320 C13, (2)IEC 320 C19, (2)IEC 320 C19
APC REPLACEMENT BATTERY CARTRIDGE #140
PROJECT: STD SUBMITTAL DRAWING SHEET 10 of 11

DWG NO: SRT6KRMXL1-IEC+SRT192RMBP
DRAWN BY: S CUNHA 08-OCT-14
ENGINEER: C KUMARSWAMY 08-OCT-14
APPROVED BY: M BEG 08-OCT-14

REV 0
THIRD ANGLE PROJ



NOTES:

1. INSTALLATION SHALL COMPLY WITH ALL APPLICABLE NATIONAL, STATE AND LOCAL CODES.
 2. PLEASE REFER TO PRODUCT DOCUMENTATION FOR FURTHER INFORMATION.
 3. STD SUBMITTAL DRAWING DEPICTS POWER SYSTEM CONNECTIONS AND IS NOT REPRESENTATIVE OF PHYSICAL LAYOUT. PLEASE REFER TO MECHANICAL STD SUBMITTAL DRAWINGS FOR MORE SPECIFIC PHYSICAL DATA.
- △4. UTILITY SOURCE MUST BE NOMINAL 208/240VAC (L1+L2+G), 50/60Hz, 1Ø, PROVIDED BY OTHERS.
- △5. DASHED LINES BETWEEN UNITS (-----) REPRESENT CABLING PROVIDED BY OTHERS.
- △6. ADDITIONAL EXTERNAL BATTERY PACKS (UP TO 10), CAN BE CONNECTED TO INCREASE THE RUN TIME FURTHER.
- △7. OUTPUT DISTRIBUTION PANEL CONTAINS SWITCHABLE OUTPUT GROUPS. REFER TO INSTALLATION MANUAL FOR DETAILED INSTRUCTIONS.
- △8. AN OPTIONAL HARDWARE OUTPUT KIT, SRT005, CAN BE PURCHASED SEPARATELY AND FITTED IN PLACE OF THE EXISTING OUTPUT DISTRIBUTION PANEL.

THIS DRAWING AND SPECIFICATIONS HEREIN ARE THE PROPERTY OF SCHNEIDER ELECTRIC AND SHALL NOT BE COPIED, REPRODUCED OR USED IN WHOLE OR IN PART, AS THE BASIS FOR THE MANUFACTURE OR SALE OF ITEMS WITHOUT WRITTEN PERMISSION FROM SCHNEIDER ELECTRIC. THIS DRAWING IS BASED UPON LATEST AVAILABLE INFORMATION AND IS SUBJECT TO CHANGE WITHOUT NOTICE.



TITLE: SMART-UPS RT (SURT)
 SRT6KRMXL1-IEC + SRT192RMBP - BACKMOUNT
 INPUT: 208/240V, 3W (L1+L2+G), HARDWIRE
 OUTPUT: 208/240V, (1) HARDWIRE, 3-WIRE (L1+L2+G),
 (6) IEC 320 C13, (2) IEC 320 C19, (2) IEC 320 C19
 SINGLE-LINE DIAGRAM

PROJECT: STD SUBMITTAL DRAWING SHEET 11 of 11

DWG NO: SRT6KRMXL1-IEC+SRT192RMBP

DRAWN BY: S CUNHA 08-OCT-14

ENGINEER: C JAYARAMAN 08-OCT-14

APPROVED BY: M BEG 08-OCT-14

REV 0

PROJ ANGLE N/A