

NOTES:

1. INSTALLATION SHALL COMPLY WITH ALL APPLICABLE NATIONAL AND LOCAL CODES.
2. SEE PRODUCT DOCUMENTATION FOR FURTHER INFORMATION.

THIS DRAWING AND SPECIFICATIONS HEREIN ARE THE PROPERTY OF SCHNEIDER ELECTRIC AND SHALL NOT BE COPIED, REPRODUCED OR USED IN WHOLE OR IN PART, AS THE BASIS FOR THE MANUFACTURE OR SALE OF ITEMS WITHOUT WRITTEN PERMISSION FROM SCHNEIDER ELECTRIC. THIS DRAWING IS BASED UPON LATEST AVAILABLE INFORMATION AND IS SUBJECT TO CHANGE WITHOUT NOTICE.



TITLE: Smart-UPS On-Line (SRT)
 SRT5KXLT-IEC + SRT192BP - TOWER
 INPUT: 208/240V, 3W, NEMA L6-30P
 OUTPUT: 208/240V, (4)IEC 320 C13, (4)IEC 320 C19
 UPS ISOMETRIC VIEWS

PROJECT: STD SUBMITTAL DRAWING SHEET 1 of 11

DWG NO: SRT5KXLT-IEC+SRT192BP

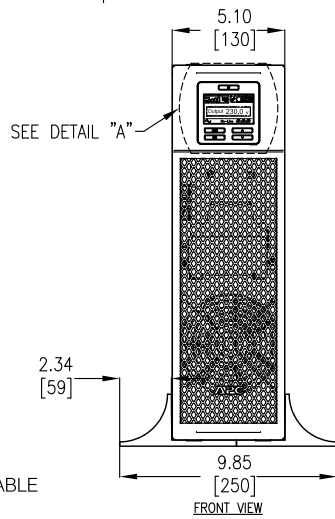
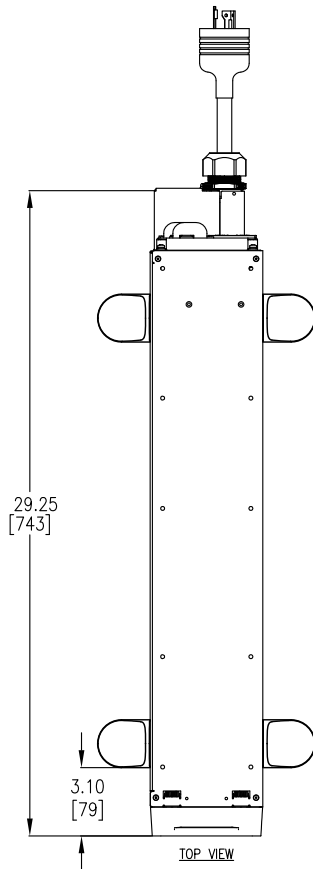
DRAWN BY: S CUNHA 08-OCT-14

ENGINEER: C KUMARSWAMY 08-OCT-14

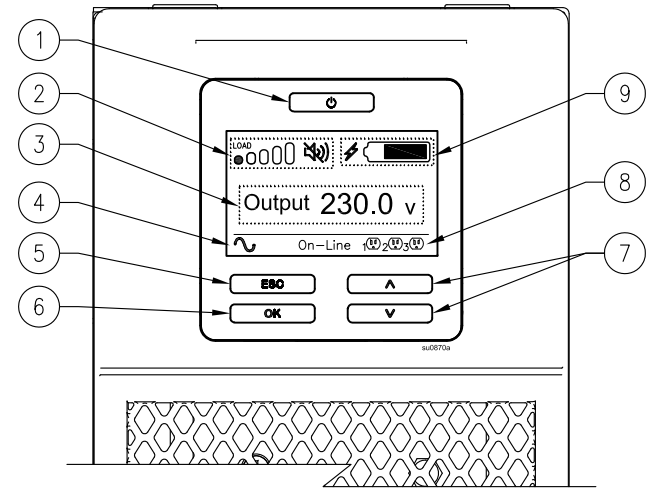
APPROVED BY: M BEG 08-OCT-14

REV 0

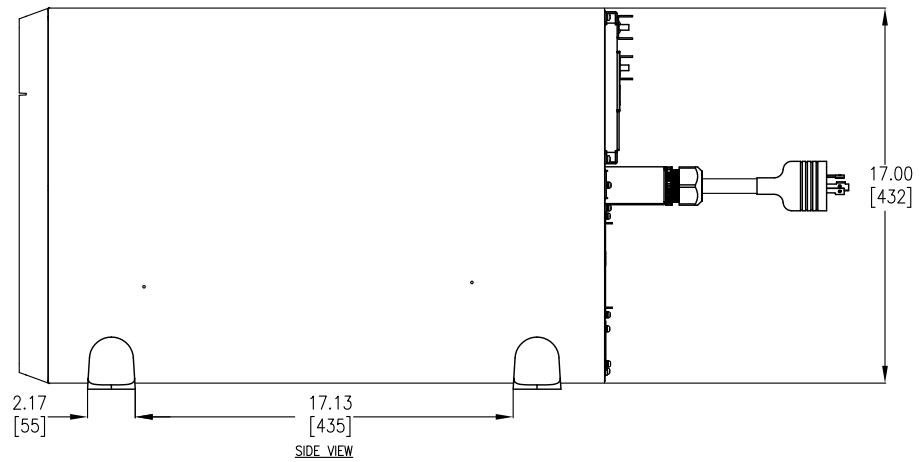
THIRD ANGLE PROJ



- DISPLAY INTERFACE:**
1. POWER "ON/OFF" BUTTON.
 2. LOAD ICON, DISABLE/MUTE AUDIBLE ALARM ICON.
 3. UPS STATUS INFORMATION.
 4. OPERATION MODE ICONS.
 5. "ESCAPE" BUTTON.
 6. "OK" BUTTON.
 7. "UP/DOWN" BUTTONS.
 8. CONTROLLABLE OUTLET GROUP STATUS ICONS.
 9. BATTERY STATUS ICONS.



DETAIL "A" - ENLARGED VIEW



NOTES:

1. INSTALLATION SHALL COMPLY WITH ALL APPLICABLE NATIONAL, STATE AND LOCAL CODES.
2. PLEASE REFER TO PRODUCT DOCUMENTATION FOR FURTHER INFORMATION.
3. UNLESS OTHERWISE SPECIFIED, ALL DIMENSIONS ARE IN INCHES [MILLIMETERS].
4. WEIGHT OF UNIT IS 120.00 LBS [54.55 KG].
5. CABLE ENTRY FROM REAR SIDE OF UNIT.

THIS DRAWING AND SPECIFICATIONS HEREIN ARE THE PROPERTY OF SCHNEIDER ELECTRIC AND SHALL NOT BE COPIED, REPRODUCED OR USED IN WHOLE OR IN PART, AS THE BASIS FOR THE MANUFACTURE OR SALE OF ITEMS WITHOUT WRITTEN PERMISSION FROM SCHNEIDER ELECTRIC. THIS DRAWING IS BASED UPON LATEST AVAILABLE INFORMATION AND IS SUBJECT TO CHANGE WITHOUT NOTICE.



TITLE: Smart-UPS On-Line (SRT)
SRT5KXLT-IEC + SRT192BP - TOWER
INPUT: 208/240V, 3W, NEMA L6-30P
OUTPUT: 208/240V, (4)IEC 320 C13, (4)IEC 320 C19
UPS MAIN MECHANICAL

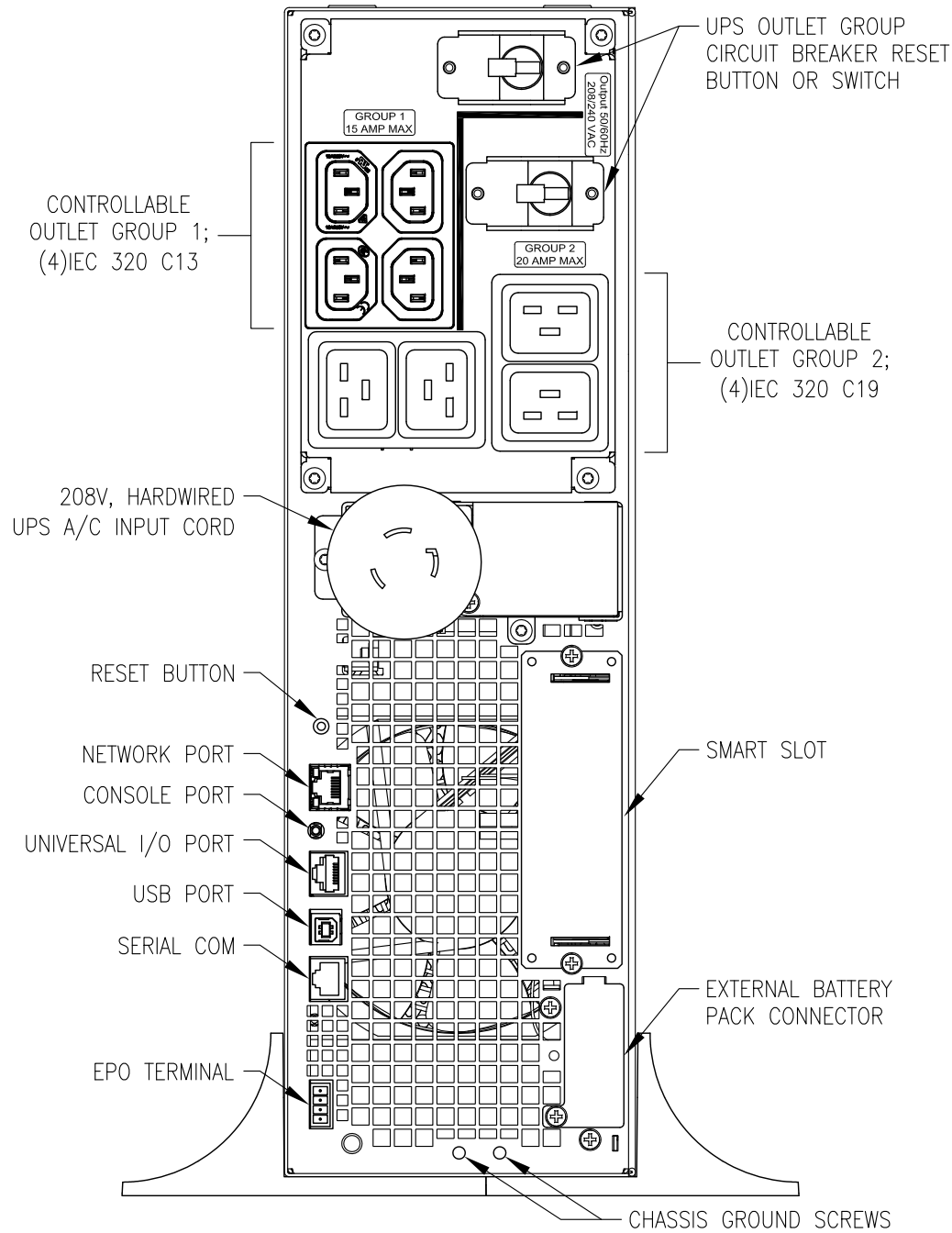
PROJECT: STD SUBMITTAL DRAWING **SHEET** 2 of 11

DWG NO: SRT5KXLT-IEC+SRT192BP **REV** 0

DRAWN BY: S CUNHA 08-OCT-14 **THIRD ANGLE PROJ**

ENGINEER: C KUMARSWAMY 08-OCT-14

APPROVED BY: M BEG 08-OCT-14



REAR VIEW

NOTES:

1. INSTALLATION SHALL COMPLY WITH ALL APPLICABLE NATIONAL, STATE AND LOCAL CODES.
2. PLEASE REFER TO PRODUCT DOCUMENTATION FOR FURTHER INFORMATION.

THIS DRAWING AND SPECIFICATIONS HEREIN ARE THE PROPERTY OF SCHNEIDER ELECTRIC AND SHALL NOT BE COPIED, REPRODUCED OR USED IN WHOLE OR IN PART, AS THE BASIS FOR THE MANUFACTURE OR SALE OF ITEMS WITHOUT WRITTEN PERMISSION FROM SCHNEIDER ELECTRIC. THIS DRAWING IS BASED UPON LATEST AVAILABLE INFORMATION AND IS SUBJECT TO CHANGE WITHOUT NOTICE.



TITLE: Smart-UPS On-Line (SRT)
SRT5KXLT-IEC + SRT192BP - TOWER
INPUT: 208/240V, 3W, NEMA L6-30P
OUTPUT: 208/240V, (4)IEC 320 C13, (4)IEC 320 C19
UPS REAR VIEW

PROJECT: STD SUBMITTAL DRAWING SHEET 3 of 11

DWG NO: SRT5KXLT-IEC+SRT192BP

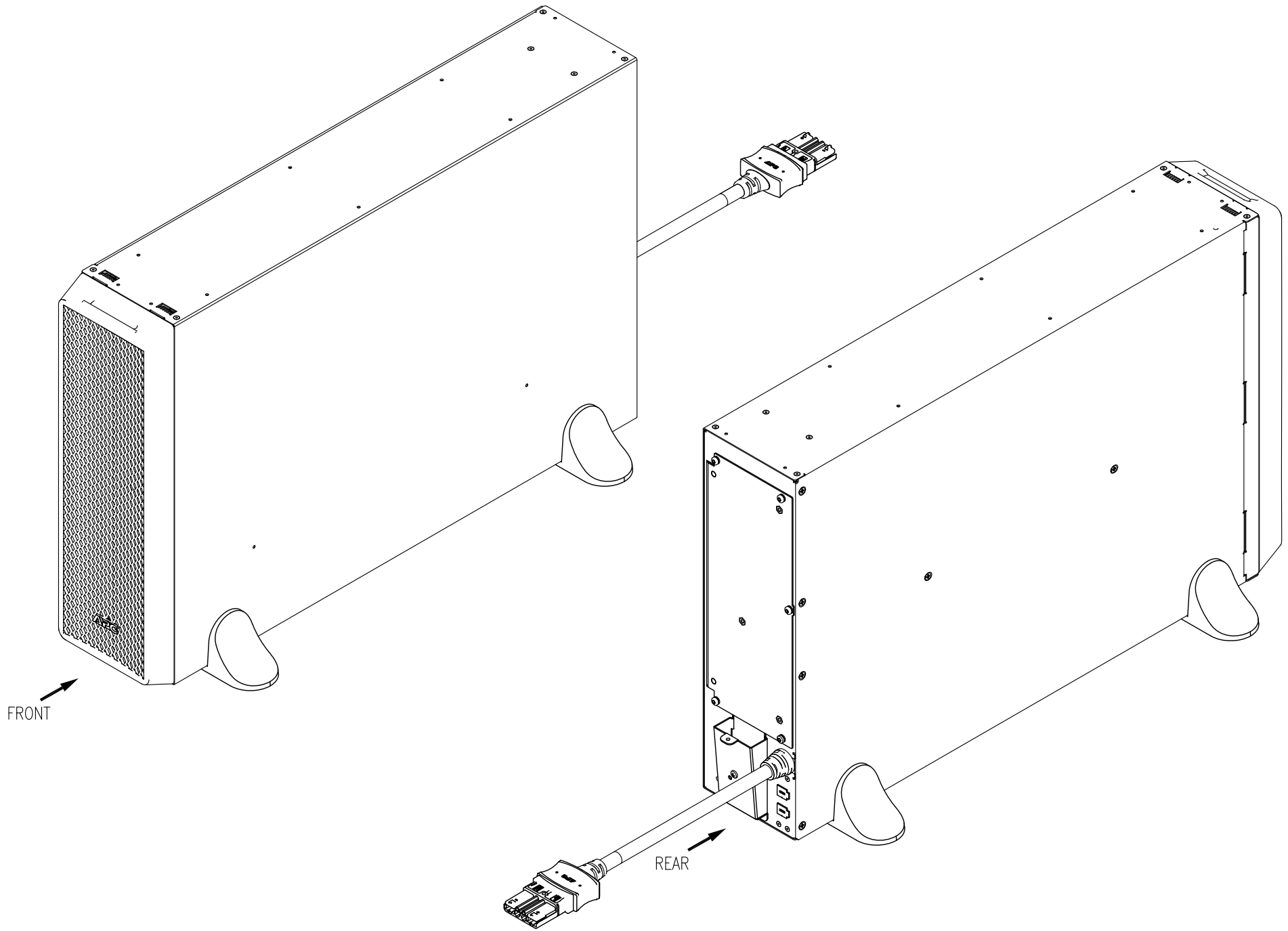
DRAWN BY: S CUNHA 08-OCT-14

ENGINEER: C KUMARSWAMY 08-OCT-14

APPROVED BY: M BEG 08-OCT-14

REV 0

THIRD ANGLE PROJ



NOTES:

1. INSTALLATION SHALL COMPLY WITH ALL APPLICABLE NATIONAL AND LOCAL CODES.
2. SEE PRODUCT DOCUMENTATION FOR FURTHER INFORMATION.

THIS DRAWING AND SPECIFICATIONS HEREIN ARE THE PROPERTY OF SCHNEIDER ELECTRIC AND SHALL NOT BE COPIED, REPRODUCED OR USED IN WHOLE OR IN PART, AS THE BASIS FOR THE MANUFACTURE OR SALE OF ITEMS WITHOUT WRITTEN PERMISSION FROM SCHNEIDER ELECTRIC. THIS DRAWING IS BASED UPON LATEST AVAILABLE INFORMATION AND IS SUBJECT TO CHANGE WITHOUT NOTICE.



TITLE: Smart-UPS On-Line (SRT)
 SRT5KXLT-IEC + SRT192BP - TOWER
 INPUT: 208/240V, 3W, NEMA L6-30P
 OUTPUT: 208/240V, (4)IEC 320 C13, (4)IEC 320 C19
 XBP ISOMETRIC VIEWS

PROJECT: STD SUBMITTAL DRAWING SHEET 4 of 11

DWG NO: SRT5KXLT-IEC+SRT192BP

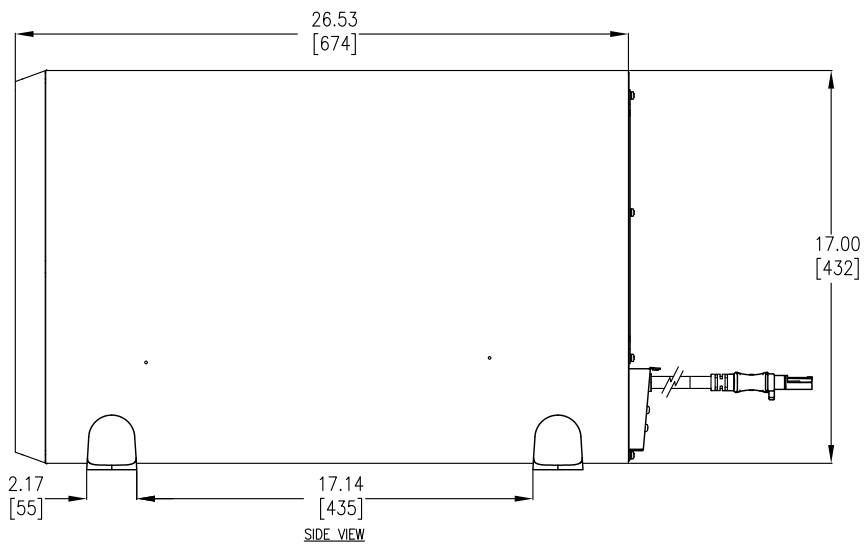
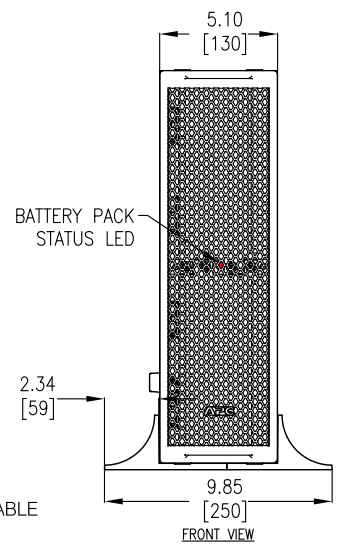
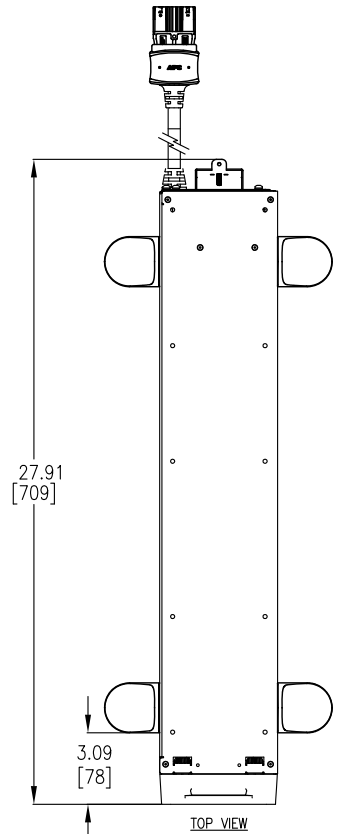
DRAWN BY: S CUNHA 08-OCT-14

ENGINEER: C KUMARSWAMY 08-OCT-14

APPROVED BY: M BEG 08-OCT-14

REV 0

THIRD ANGLE PROJ



NOTES:

1. INSTALLATION SHALL COMPLY WITH ALL APPLICABLE NATIONAL, STATE AND LOCAL CODES.
2. PLEASE REFER TO PRODUCT DOCUMENTATION FOR FURTHER INFORMATION.
3. UNLESS OTHERWISE SPECIFIED, ALL DIMENSIONS ARE IN INCHES [MILLIMETERS].
4. WEIGHT OF UNIT IS 200.20 LBS [91.00 KG].
5. CABLE ENTRY FROM REAR SIDE OF UNIT.

THIS DRAWING AND SPECIFICATIONS HEREIN ARE THE PROPERTY OF SCHNEIDER ELECTRIC AND SHALL NOT BE COPIED, REPRODUCED OR USED IN WHOLE OR IN PART, AS THE BASIS FOR THE MANUFACTURE OR SALE OF ITEMS WITHOUT WRITTEN PERMISSION FROM SCHNEIDER ELECTRIC. THIS DRAWING IS BASED UPON LATEST AVAILABLE INFORMATION AND IS SUBJECT TO CHANGE WITHOUT NOTICE.



TITLE: Smart-UPS On-Line (SRT)
SRT5KXLT-IEC + SRT192BP - TOWER
INPUT: 208/240V, 3W, NEMA L6-30P
OUTPUT: 208/240V, (4)IEC 320 C13, (4)IEC 320 C19
XBP MAIN MECHANICAL

PROJECT: STD SUBMITTAL DRAWING **SHEET** 5 of 11

DWG NO: SRT5KXLT-IEC+SRT192BP

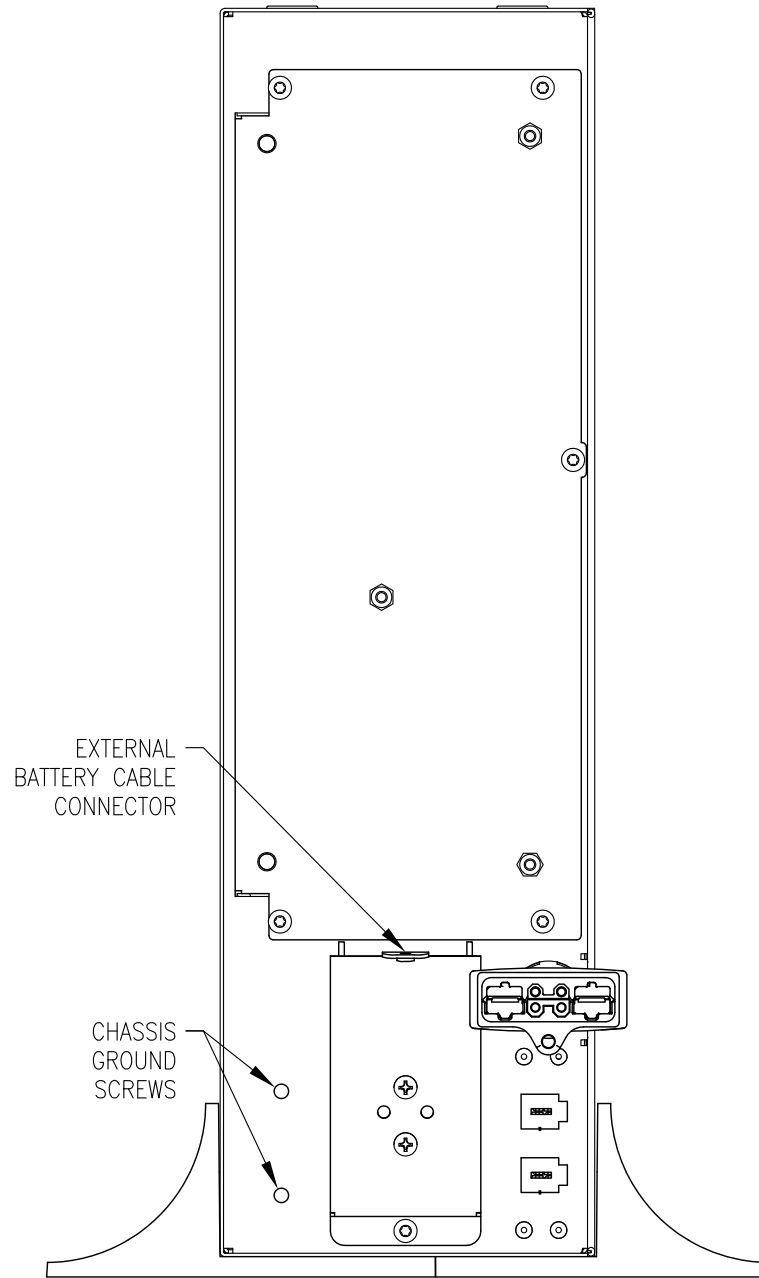
DRAWN BY: S CUNHA 08-OCT-14

ENGINEER: C KUMARSWAMY 08-OCT-14

APPROVED BY: M BEG 08-OCT-14

REV 0

THIRD ANGLE PROJ



EXTERNAL
BATTERY CABLE
CONNECTOR

CHASSIS
GROUND
SCREWS

REAR VIEW

NOTES:

1. INSTALLATION SHALL COMPLY WITH ALL APPLICABLE NATIONAL, STATE AND LOCAL CODES.
2. PLEASE REFER TO PRODUCT DOCUMENTATION FOR FURTHER INFORMATION.

THIS DRAWING AND SPECIFICATIONS HEREIN ARE THE PROPERTY OF SCHNEIDER ELECTRIC AND SHALL NOT BE COPIED, REPRODUCED OR USED IN WHOLE OR IN PART, AS THE BASIS FOR THE MANUFACTURE OR SALE OF ITEMS WITHOUT WRITTEN PERMISSION FROM SCHNEIDER ELECTRIC. THIS DRAWING IS BASED UPON LATEST AVAILABLE INFORMATION AND IS SUBJECT TO CHANGE WITHOUT NOTICE.



TITLE: Smart-UPS On-Line (SRT)
SRT5KXLT-IEC + SRT192BP - TOWER
INPUT: 208/240V, 3W, NEMA L6-30P
OUTPUT: 208/240V, (4)IEC 320 C13, (4)IEC 320 C19
XBP REAR VIEW

PROJECT: STD SUBMITTAL DRAWING SHEET 6 of 11

DWG NO: SRT5KXLT-IEC+SRT192BP

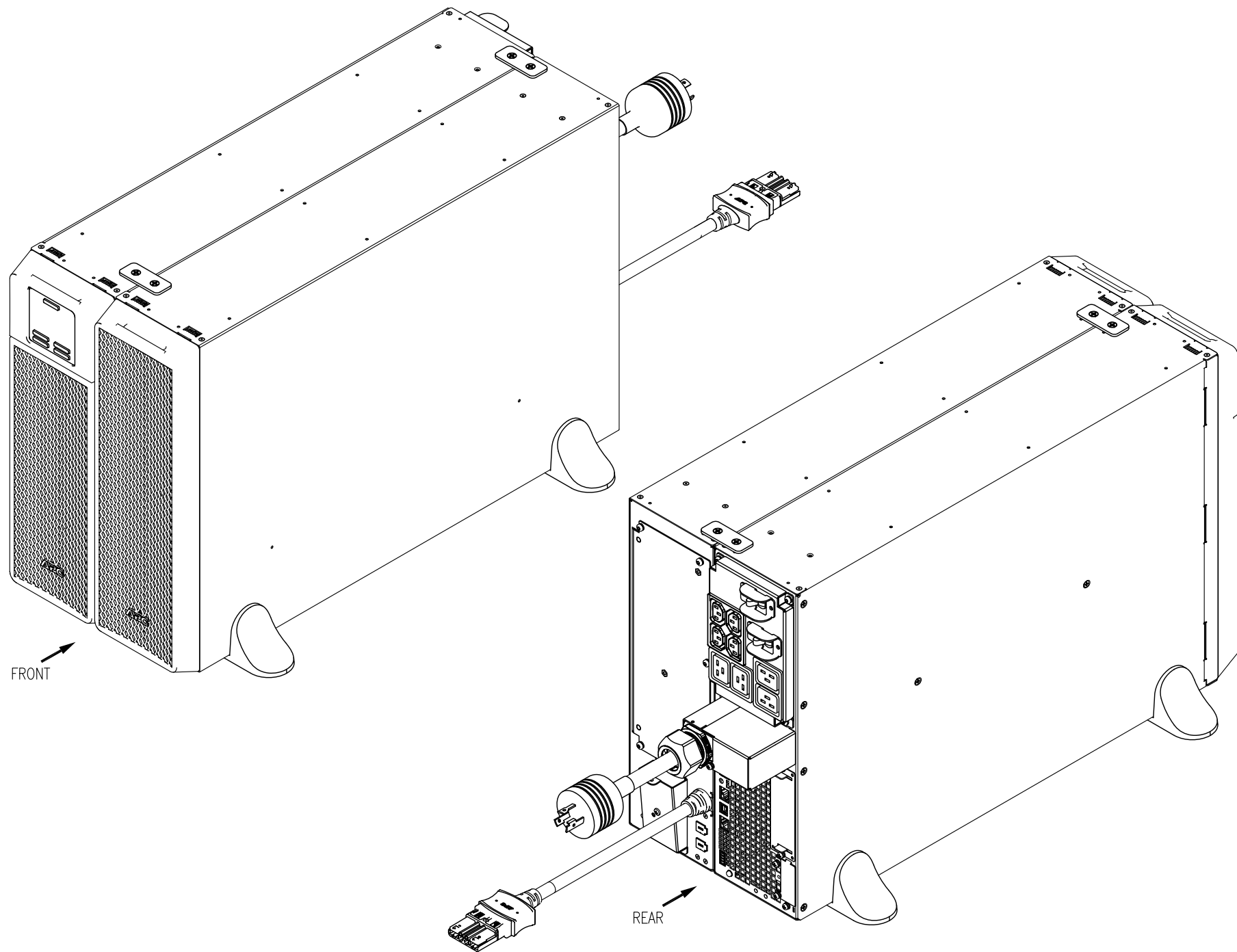
DRAWN BY: S CUNHA 08-OCT-14

ENGINEER: C KUMARSWAMY 08-OCT-14

APPROVED BY: M BEG 08-OCT-14

REV 0

THIRD ANGLE PROJ



FRONT

REAR

NOTES:

1. INSTALLATION SHALL COMPLY WITH ALL APPLICABLE NATIONAL AND LOCAL CODES.
2. SEE PRODUCT DOCUMENTATION FOR FURTHER INFORMATION.

THIS DRAWING AND SPECIFICATIONS HEREIN ARE THE PROPERTY OF SCHNEIDER ELECTRIC AND SHALL NOT BE COPIED, REPRODUCED OR USED IN WHOLE OR IN PART, AS THE BASIS FOR THE MANUFACTURE OR SALE OF ITEMS WITHOUT WRITTEN PERMISSION FROM SCHNEIDER ELECTRIC. THIS DRAWING IS BASED UPON LATEST AVAILABLE INFORMATION AND IS SUBJECT TO CHANGE WITHOUT NOTICE.



TITLE: Smart-UPS On-Line (SRT)
SRT5KXLT-IEC + SRT192BP - TOWER
INPUT: 208/240V, 3W, NEMA L6-30P
OUTPUT: 208/240V, (4)IEC 320 C13, (4)IEC 320 C19
BAYED ISOMETRIC VIEWS

PROJECT: STD SUBMITTAL DRAWING SHEET 7 of 11

DWG NO: SRT5KXLT-IEC+SRT192BP

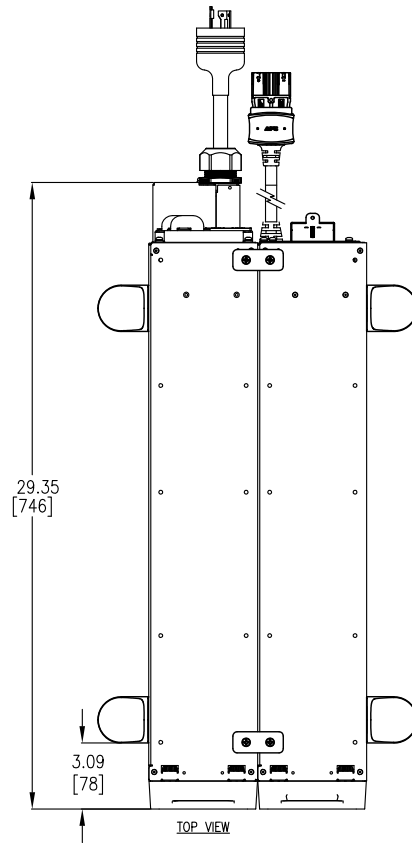
DRAWN BY: S CUNHA 08-OCT-14

ENGINEER: C KUMARSWAMY 08-OCT-14

APPROVED BY: M BEG 08-OCT-14

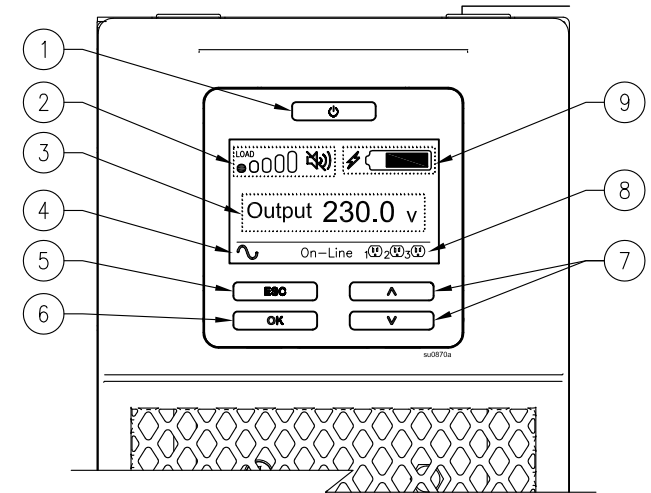
REV 0

THIRD
ANGLE
PROJ

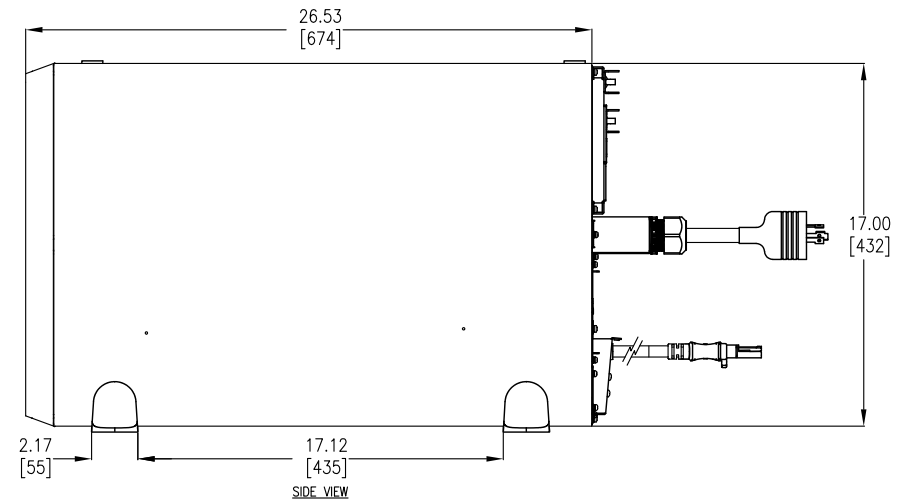
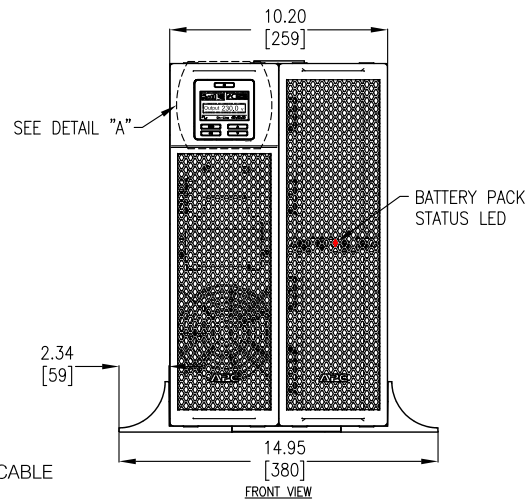


DISPLAY INTERFACE:

1. POWER "ON/OFF" BUTTON.
2. LOAD ICON, DISABLE/MUTE AUDIBLE ALARM ICON.
3. UPS STATUS INFORMATION.
4. OPERATION MODE ICONS.
5. "ESCAPE" BUTTON.
6. "OK" BUTTON.
7. "UP/DOWN" BUTTONS.
8. CONTROLLABLE OUTLET GROUP STATUS ICONS.
9. BATTERY STATUS ICONS.



DETAIL "A" - ENLARGED VIEW



NOTES:

1. INSTALLATION SHALL COMPLY WITH ALL APPLICABLE NATIONAL, STATE AND LOCAL CODES.
2. PLEASE REFER TO PRODUCT DOCUMENTATION FOR FURTHER INFORMATION.
3. UNLESS OTHERWISE SPECIFIED, ALL DIMENSIONS ARE IN INCHES [MILLIMETERS].
4. WEIGHT OF UNIT IS 320.20 LBS [145.55 KG].
5. CABLE ENTRY FROM REAR SIDE OF UNIT.

THIS DRAWING AND SPECIFICATIONS HEREIN ARE THE PROPERTY OF SCHNEIDER ELECTRIC AND SHALL NOT BE COPIED, REPRODUCED OR USED IN WHOLE OR IN PART, AS THE BASIS FOR THE MANUFACTURE OR SALE OF ITEMS WITHOUT WRITTEN PERMISSION FROM SCHNEIDER ELECTRIC. THIS DRAWING IS BASED UPON LATEST AVAILABLE INFORMATION AND IS SUBJECT TO CHANGE WITHOUT NOTICE.



TITLE: Smart-UPS On-Line (SRT)
SRT5KXLT-IEC + SRT192BP - TOWER
INPUT: 208/240V, 3W, NEMA L6-30P
OUTPUT: 208/240V, (4)IEC 320 C13, (4)IEC 320 C19
BAYED MAIN MECHANICAL

PROJECT: STD SUBMITTAL DRAWING SHEET 8 of 11

DWG NO: SRT5KXLT-IEC+SRT192BP

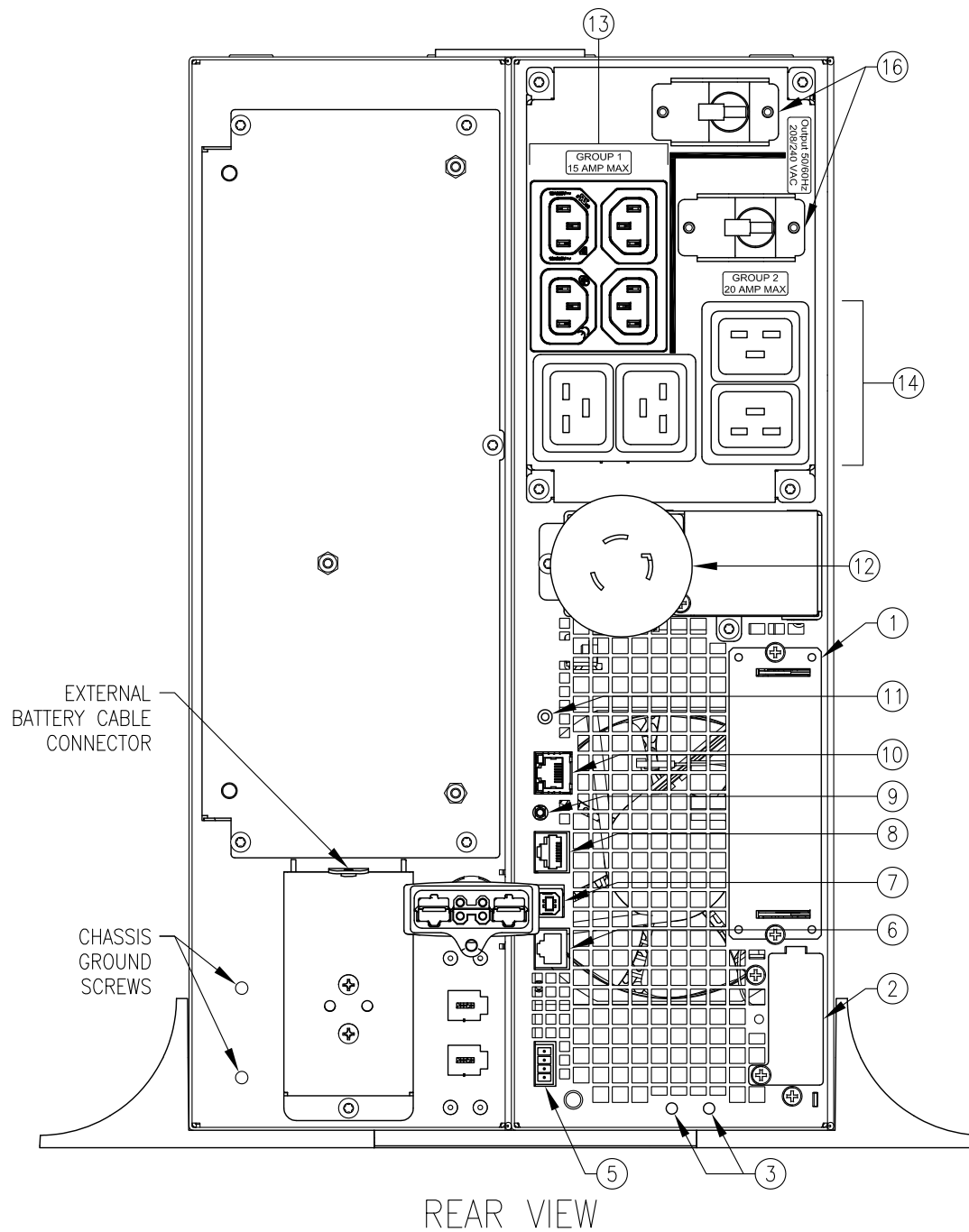
DRAWN BY: S CUNHA 08-OCT-14

ENGINEER: C KUMARSWAMY 08-OCT-14

APPROVED BY: M BEG 08-OCT-14

REV 0

THIRD ANGLE PROJ



- SRT5KRMXLT-IEC: (NUMBERING PER OPERATIONS MANUAL)**
1. SMART SLOT
 2. EXTERNAL BATTERY PACK CONNECTOR
 3. CHASSIS GROUND SCREWS
 5. EPO TERMINAL
 6. SERIAL COM
 7. USB PORT
 8. UNIVERSAL I/O PORT
 9. CONSOLE PORT
 10. NETWORK PORT
 11. RESET BUTTON
 12. UPS INPUT POWER CABLE
 13. CONTROLLABLE OUTLET GROUP 1
[(4)IEC 320 C13]
 14. CONTROLLABLE OUTLET GROUP 2
[(4)IEC 320 C19]
 16. UPS OUTLET GROUP CIRCUIT BREAKER
RESET BUTTON OR SWITCH

REAR VIEW

NOTES:

1. INSTALLATION SHALL COMPLY WITH ALL APPLICABLE NATIONAL, STATE AND LOCAL CODES.
2. PLEASE REFER TO PRODUCT DOCUMENTATION FOR FURTHER INFORMATION.

THIS DRAWING AND SPECIFICATIONS HEREIN ARE THE PROPERTY OF SCHNEIDER ELECTRIC AND SHALL NOT BE COPIED, REPRODUCED OR USED IN WHOLE OR IN PART, AS THE BASIS FOR THE MANUFACTURE OR SALE OF ITEMS WITHOUT WRITTEN PERMISSION FROM SCHNEIDER ELECTRIC. THIS DRAWING IS BASED UPON LATEST AVAILABLE INFORMATION AND IS SUBJECT TO CHANGE WITHOUT NOTICE.



TITLE: Smart-UPS On-Line (SRT)
SRT5KXLT-IEC + SRT192BP - TOWER
INPUT: 208/240V, 3W, NEMA L6-30P
OUTPUT: 208/240V, (4)IEC 320 C13, (4)IEC 320 C19
BAYED REAR VIEW

PROJECT: STD SUBMITTAL DRAWING SHEET 9 of 11

DWG NO: SRT5KXLT-IEC+SRT192BP

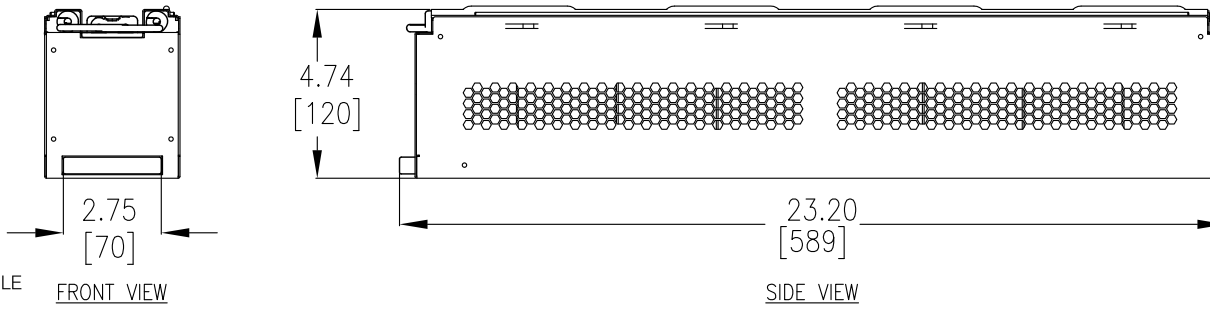
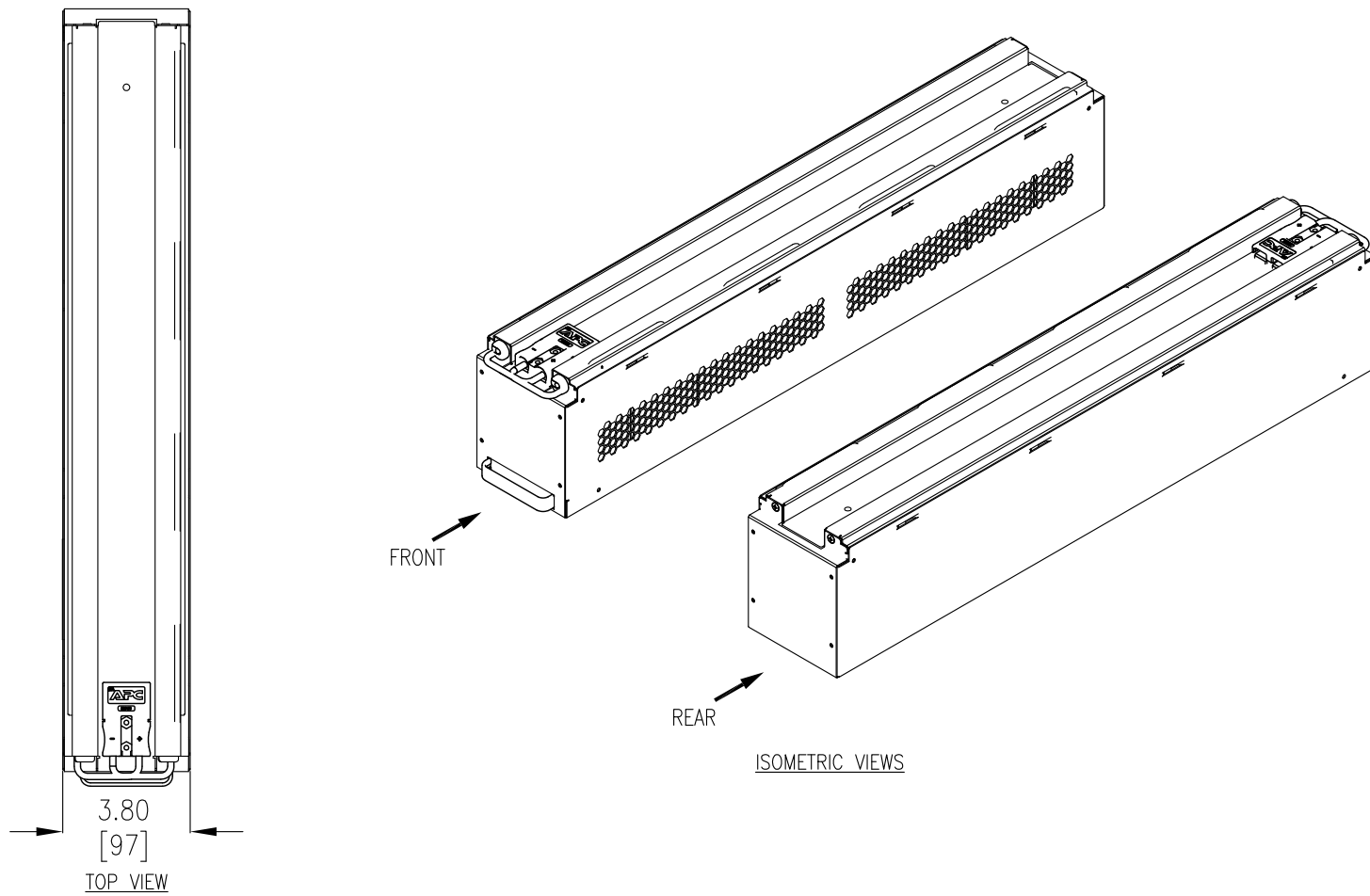
DRAWN BY: S CUNHA 08-OCT-14

ENGINEER: C KUMARSWAMY 08-OCT-14

APPROVED BY: M BEG 08-OCT-14

REV 0

THIRD ANGLE PROJ



NOTES:

1. INSTALLATION SHALL COMPLY WITH ALL APPLICABLE NATIONAL, STATE AND LOCAL CODES.
2. PLEASE REFER TO PRODUCT DOCUMENTATION FOR FURTHER INFORMATION.
3. UNLESS OTHERWISE SPECIFIED, ALL DIMENSIONS ARE IN INCHES [MILLIMETERS].
4. THE APC BATTERY REPLACEMENT CARTRIDGE, APCRBC140, CONSISTS OF (2) BATTERY MODULES.

THIS DRAWING AND SPECIFICATIONS HEREIN ARE THE PROPERTY OF SCHNEIDER ELECTRIC AND SHALL NOT BE COPIED, REPRODUCED OR USED IN WHOLE OR IN PART, AS THE BASIS FOR THE MANUFACTURE OR SALE OF ITEMS WITHOUT WRITTEN PERMISSION FROM SCHNEIDER ELECTRIC. THIS DRAWING IS BASED UPON LATEST AVAILABLE INFORMATION AND IS SUBJECT TO CHANGE WITHOUT NOTICE.



TITLE: Smart-UPS On-Line (SRT)
SRT5KXLT-IEC + SRT192BP - TOWER
INPUT: 208/240V, 3W, NEMA L6-30P
OUTPUT: 208/240V, (4)IEC 320 C13, (4)IEC 320 C19
APC REPLACEMENT BATTERY CARTRIDGE #140

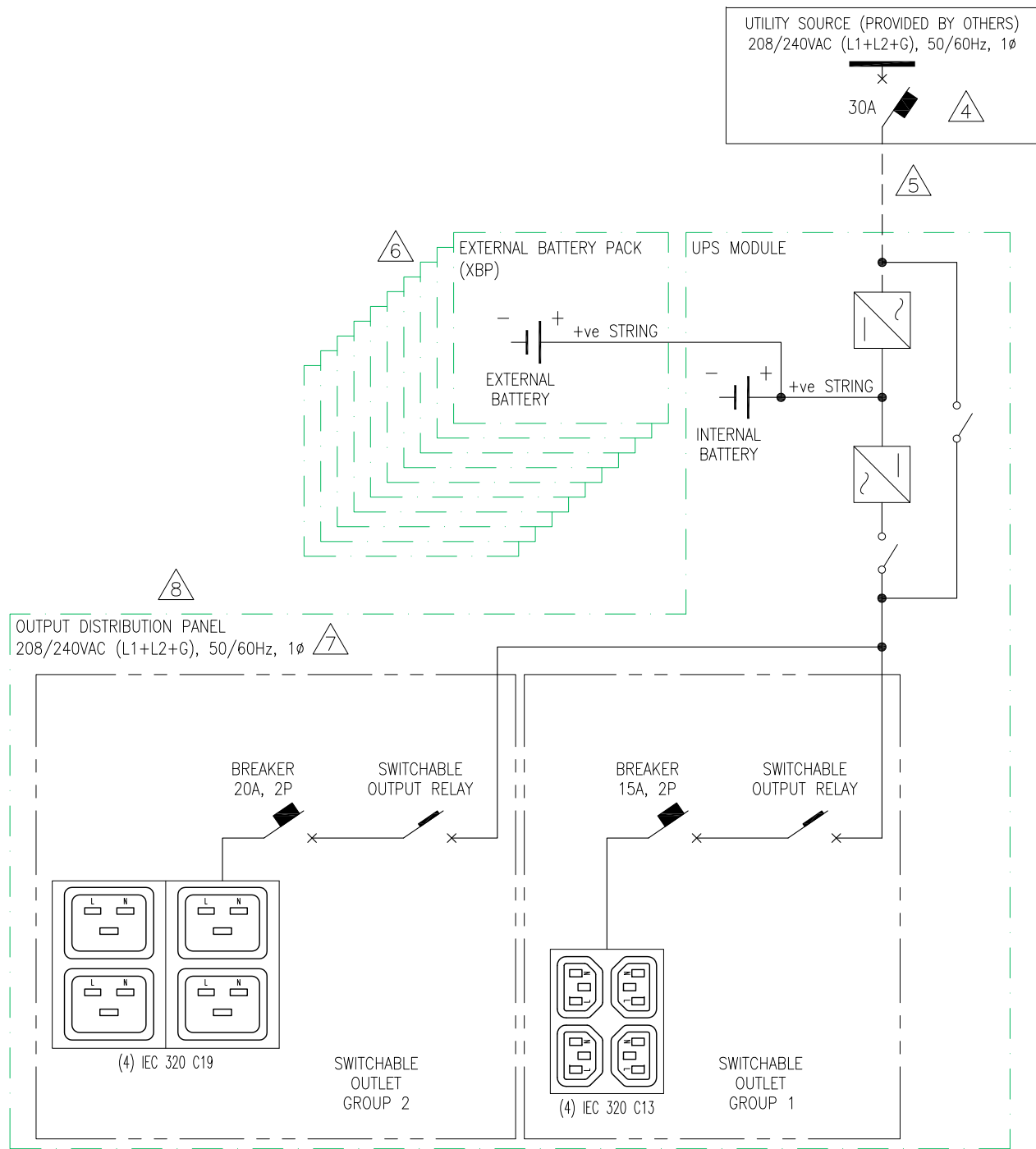
PROJECT: STD SUBMITTAL DRAWING SHEET 10 of 11

DWG NO: SRT5KXLT-IEC+SRT192BP

| | |
|------------------------|-----------|
| DRAWN BY: S CUNHA | 08-OCT-14 |
| ENGINEER: C KUMARSWAMY | 08-OCT-14 |
| APPROVED BY: M BEG | 08-OCT-14 |

REV 0

THIRD ANGLE PROJ



NOTES:

1. INSTALLATION SHALL COMPLY WITH ALL APPLICABLE NATIONAL, STATE AND LOCAL CODES.
2. PLEASE REFER TO PRODUCT DOCUMENTATION FOR FURTHER INFORMATION.
3. STD SUBMITTAL DRAWING DEPICTS POWER SYSTEM CONNECTIONS AND IS NOT REPRESENTATIVE OF PHYSICAL LAYOUT. PLEASE REFER TO MECHANICAL STD SUBMITTAL DRAWINGS FOR MORE SPECIFIC PHYSICAL DATA.
- △ 4. UTILITY SOURCE MUST BE NOMINAL 208/240VAC (L1+L2+G), 50/60Hz, 1Ø, PROVIDED BY OTHERS.
- △ 5. DASHED LINE BETWEEN UTILITY SOURCE AND THE UNIT (-----) REPRESENTS THE NEMA L6-30P INPUT CORD SET PROVIDED WITH THE UNIT.
- △ 6. ADDITIONAL EXTERNAL BATTERY PACKS (UP TO 10), CAN BE CONNECTED TO INCREASE THE RUN TIME FURTHER.
- △ 7. OUTPUT DISTRIBUTION PANEL CONTAINS SWITCHABLE OUTPUT GROUPS. REFER TO INSTALLATION MANUAL FOR DETAILED INSTRUCTIONS.
- △ 8. OPTIONAL SRT001 OR SRT004 PDU PANEL CAN BE PURCHASED SEPARATELY AND FITTED IN PLACE OF THE EXISTING OUTPUT DISTRIBUTION PANEL TO PROVIDE ALTERNATIVE LOAD CONNECTIONS.

THIS DRAWING AND SPECIFICATIONS HEREIN ARE THE PROPERTY OF SCHNEIDER ELECTRIC AND SHALL NOT BE COPIED, REPRODUCED OR USED IN WHOLE OR IN PART, AS THE BASIS FOR THE MANUFACTURE OR SALE OF ITEMS WITHOUT WRITTEN PERMISSION FROM SCHNEIDER ELECTRIC. THIS DRAWING IS BASED UPON LATEST AVAILABLE INFORMATION AND IS SUBJECT TO CHANGE WITHOUT NOTICE.



TITLE: Smart-UPS On-Line (SRT)
 SRT5KXLT-IEC + SRT192BP - TOWER
 INPUT: 208/240V, 3W, NEMA L6-30P
 OUTPUT: 208/240V, (4)IEC 320 C13, (4)IEC 320 C19
 SINGLE-LINE DIAGRAM

PROJECT: STD SUBMITTAL DRAWING **SHEET** 11 of 11

DWG NO: SRT5KXLT-IEC+SRT192BP

| | |
|------------------------------|-----------|
| DRAWN BY: S CUNHA | 08-OCT-14 |
| ENGINEER: C JAYARAMAN | 08-OCT-14 |
| APPROVED BY: M BEG | 08-OCT-14 |

REV 0

| | |
|-------------------|-----|
| PROJ ANGLE | N/A |
|-------------------|-----|