

**NOTES:**

1. INSTALLATION SHALL COMPLY WITH ALL APPLICABLE NATIONAL AND LOCAL CODES.
2. SEE PRODUCT DOCUMENTATION FOR FURTHER INFORMATION.

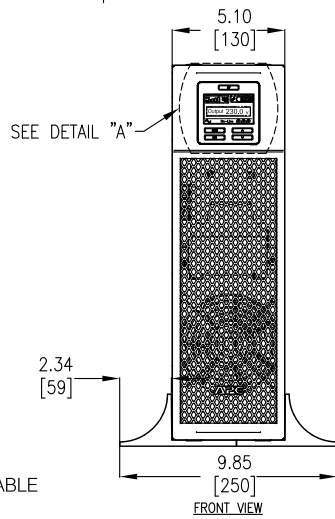
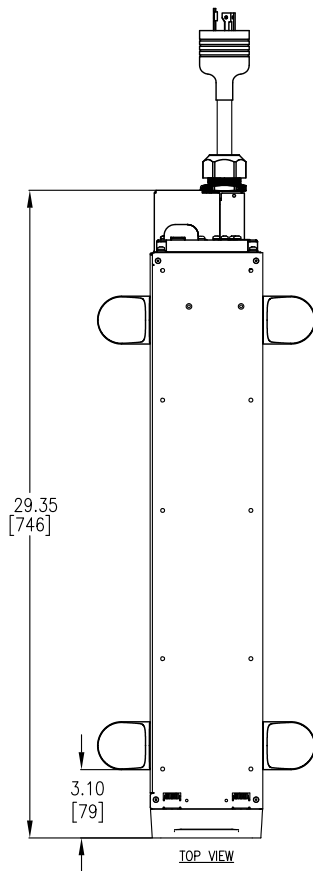
THIS DRAWING AND SPECIFICATIONS HEREIN ARE THE PROPERTY OF SCHNEIDER ELECTRIC AND SHALL NOT BE COPIED, REPRODUCED OR USED IN WHOLE OR IN PART, AS THE BASIS FOR THE MANUFACTURE OR SALE OF ITEMS WITHOUT WRITTEN PERMISSION FROM SCHNEIDER ELECTRIC. THIS DRAWING IS BASED UPON LATEST AVAILABLE INFORMATION AND IS SUBJECT TO CHANGE WITHOUT NOTICE.



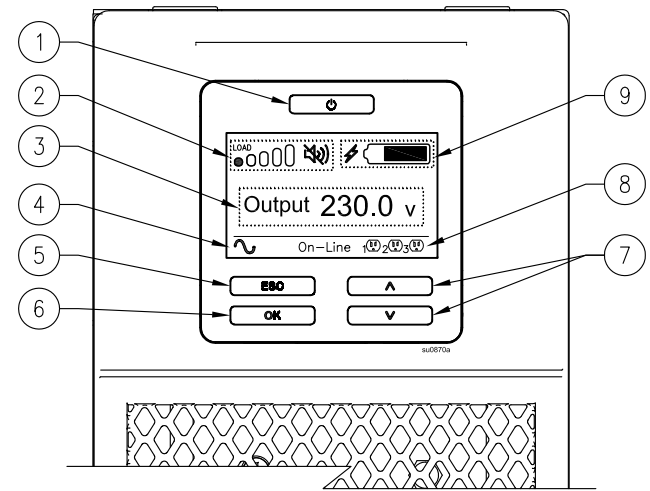
**TITLE:** Smart-UPS On-Line (SRT)  
 SRT5KXLT + SRT192BP - TOWER  
 INPUT: 208/240V, 3W, NEMA L6-30P  
 OUTPUT: 208/240V, (2)NEMA L6-20R, (2)NEMA L6-30R  
 UPS ISOMETRIC VIEWS

**PROJECT:** STD SUBMITTAL DRAWING **SHEET** 1 of 11

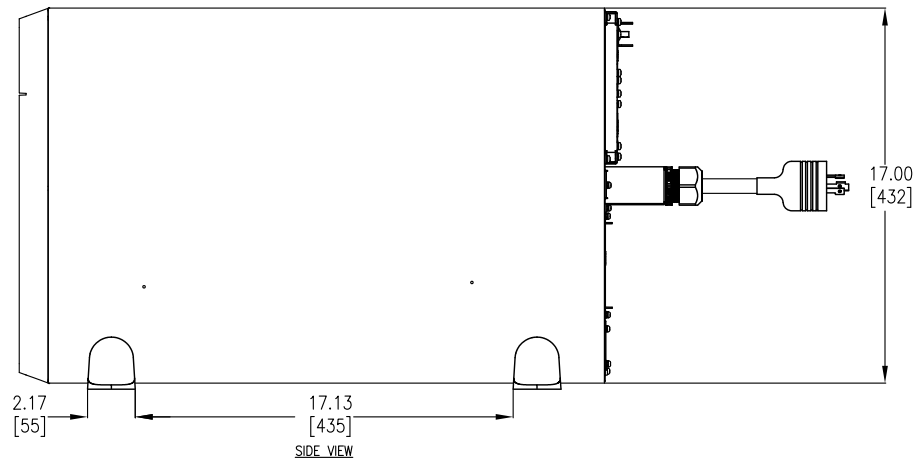
<b>DWG NO:</b> SRT5KXLT+SRT192BP	<b>REV</b> 0
<b>DRAWN BY:</b> S CUNHA	08-OCT-14
<b>ENGINEER:</b> C KUMARSWAMY	08-OCT-14
<b>APPROVED BY:</b> M BEG	08-OCT-14
	THIRD ANGLE PROJ



- DISPLAY INTERFACE:**
1. POWER "ON/OFF" BUTTON.
  2. LOAD ICON, DISABLE/MUTE AUDIBLE ALARM ICON.
  3. UPS STATUS INFORMATION.
  4. OPERATION MODE ICONS.
  5. "ESCAPE" BUTTON.
  6. "OK" BUTTON.
  7. "UP/DOWN" BUTTONS.
  8. CONTROLLABLE OUTLET GROUP STATUS ICONS.
  9. BATTERY STATUS ICONS.



DETAIL "A" - ENLARGED VIEW



- NOTES:**
1. INSTALLATION SHALL COMPLY WITH ALL APPLICABLE NATIONAL, STATE AND LOCAL CODES.
  2. PLEASE REFER TO PRODUCT DOCUMENTATION FOR FURTHER INFORMATION.
  3. UNLESS OTHERWISE SPECIFIED, ALL DIMENSIONS ARE IN INCHES [MILLIMETERS].
  4. WEIGHT OF UNIT IS 120.00 LBS [54.55 KG].
  5. CABLE ENTRY FROM REAR SIDE OF UNIT.

THIS DRAWING AND SPECIFICATIONS HEREIN ARE THE PROPERTY OF SCHNEIDER ELECTRIC AND SHALL NOT BE COPIED, REPRODUCED OR USED IN WHOLE OR IN PART, AS THE BASIS FOR THE MANUFACTURE OR SALE OF ITEMS WITHOUT WRITTEN PERMISSION FROM SCHNEIDER ELECTRIC. THIS DRAWING IS BASED UPON LATEST AVAILABLE INFORMATION AND IS SUBJECT TO CHANGE WITHOUT NOTICE.



**TITLE:** Smart-UPS On-Line (SRT)  
SRT5KXLT + SRT192BP - TOWER  
INPUT: 208/240V, 3W, NEMA L6-30P  
OUTPUT: 208/240V, (2)NEMA L6-20R, (2)NEMA L6-30R  
UPS MAIN MECHANICAL

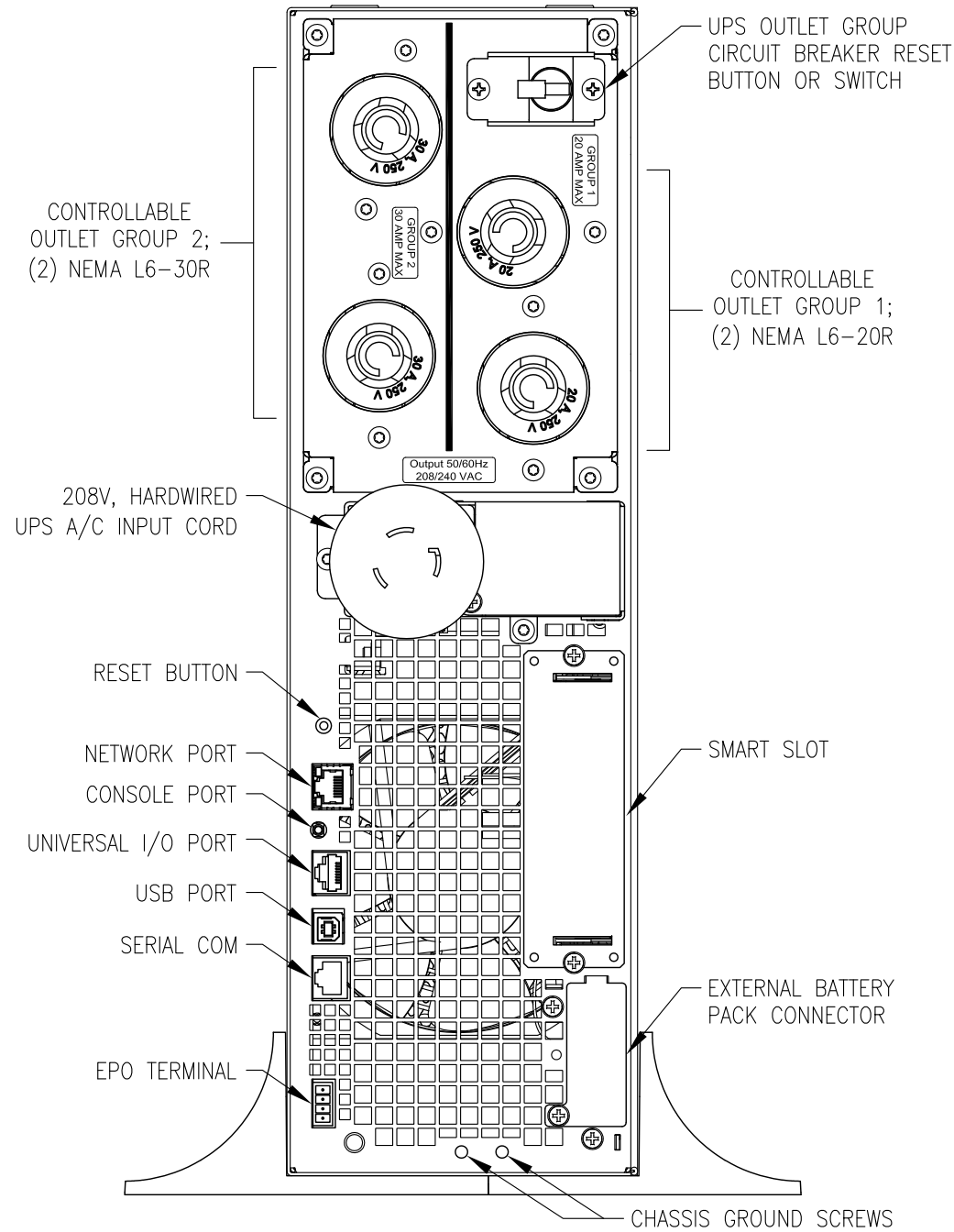
**PROJECT:** STD SUBMITTAL DRAWING **SHEET** 2 of 11

**DWG NO:** SRT5KXLT+SRT192BP **REV** 0

**DRAWN BY:** S CUNHA 08-OCT-14 **THIRD ANGLE PROJ**

**ENGINEER:** C KUMARSWAMY 08-OCT-14

**APPROVED BY:** M BEG 08-OCT-14



REAR VIEW

**NOTES:**

1. INSTALLATION SHALL COMPLY WITH ALL APPLICABLE NATIONAL, STATE AND LOCAL CODES.
2. PLEASE REFER TO PRODUCT DOCUMENTATION FOR FURTHER INFORMATION.

THIS DRAWING AND SPECIFICATIONS HEREIN ARE THE PROPERTY OF SCHNEIDER ELECTRIC AND SHALL NOT BE COPIED, REPRODUCED OR USED IN WHOLE OR IN PART, AS THE BASIS FOR THE MANUFACTURE OR SALE OF ITEMS WITHOUT WRITTEN PERMISSION FROM SCHNEIDER ELECTRIC. THIS DRAWING IS BASED UPON LATEST AVAILABLE INFORMATION AND IS SUBJECT TO CHANGE WITHOUT NOTICE.



**TITLE:** Smart-UPS On-Line (SRT)  
SRT5KXLT + SRT192BP - TOWER  
INPUT: 208/240V, 3W, NEMA L6-30P  
OUTPUT: 208/240V, (2)NEMA L6-20R, (2)NEMA L6-30R  
UPS REAR VIEW

PROJECT: STD SUBMITTAL DRAWING SHEET 3 of 11

**DWG NO:** SRT5KXLT+SRT192BP

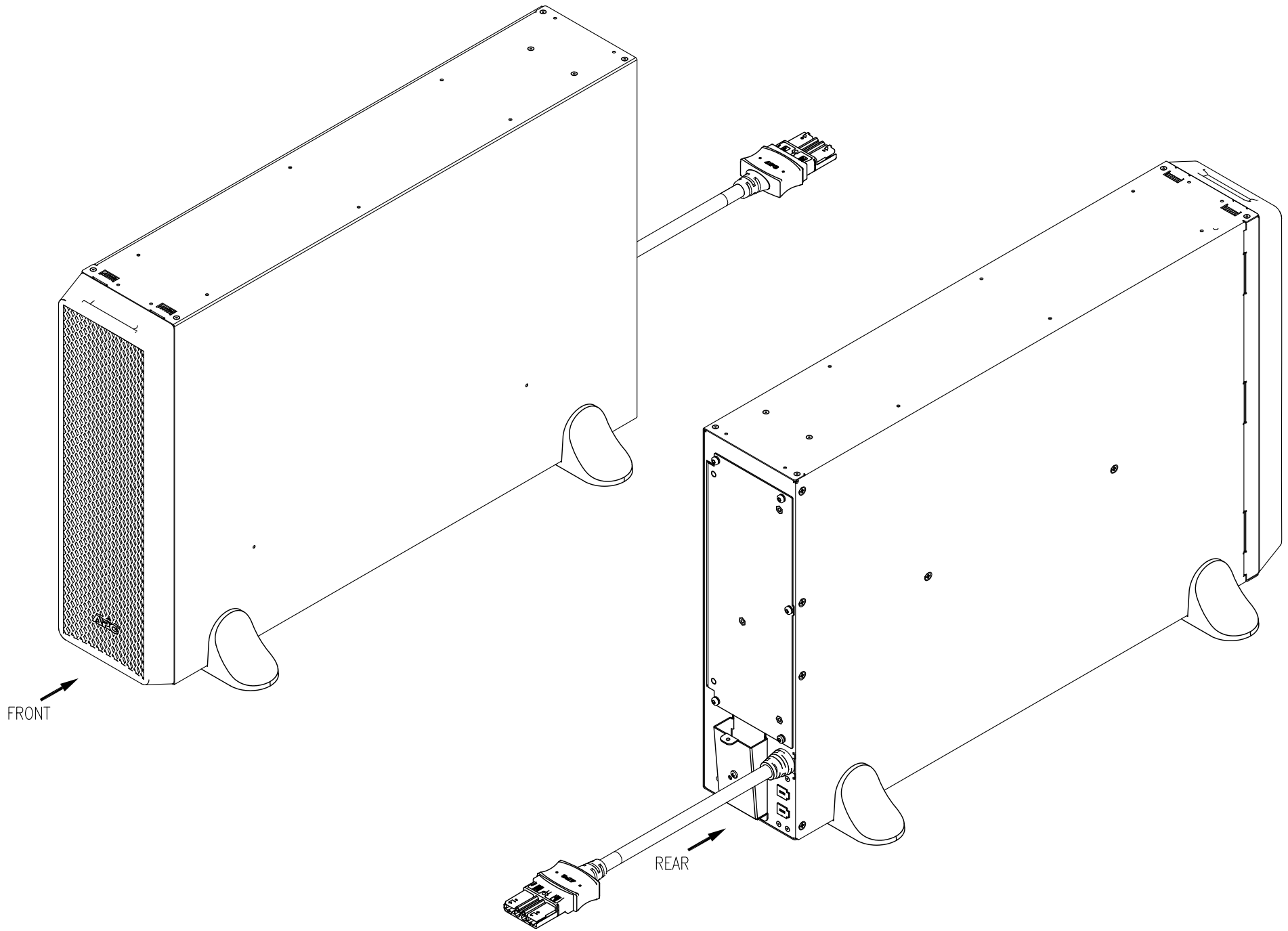
**DRAWN BY:** S CUNHA 08-OCT-14

**ENGINEER:** C KUMARSWAMY 08-OCT-14

**APPROVED BY:** M BEG 08-OCT-14

REV 0

THIRD ANGLE PROJ



**NOTES:**

1. INSTALLATION SHALL COMPLY WITH ALL APPLICABLE NATIONAL AND LOCAL CODES.
2. SEE PRODUCT DOCUMENTATION FOR FURTHER INFORMATION.

THIS DRAWING AND SPECIFICATIONS HEREIN ARE THE PROPERTY OF SCHNEIDER ELECTRIC AND SHALL NOT BE COPIED, REPRODUCED OR USED IN WHOLE OR IN PART, AS THE BASIS FOR THE MANUFACTURE OR SALE OF ITEMS WITHOUT WRITTEN PERMISSION FROM SCHNEIDER ELECTRIC. THIS DRAWING IS BASED UPON LATEST AVAILABLE INFORMATION AND IS SUBJECT TO CHANGE WITHOUT NOTICE.



**TITLE:** Smart-UPS On-Line (SRT)  
 SRT5KXLT + SRT192BP - TOWER  
 INPUT: 208/240V, 3W, NEMA L6-30P  
 OUTPUT: 208/240V, (2)NEMA L6-20R, (2)NEMA L6-30R  
 XBP ISOMETRIC VIEWS

PROJECT: STD SUBMITTAL DRAWING SHEET 4 of 11

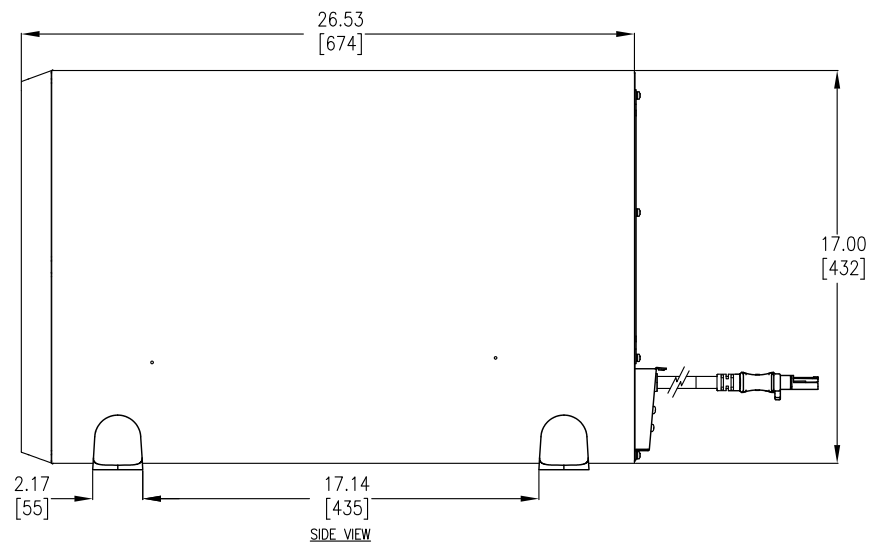
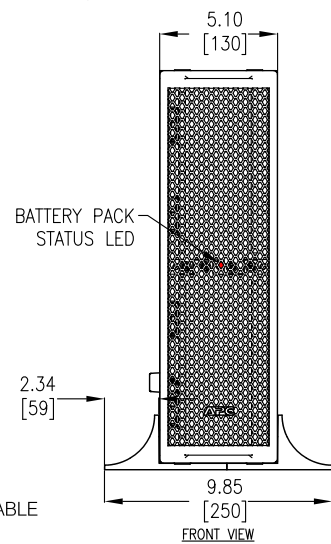
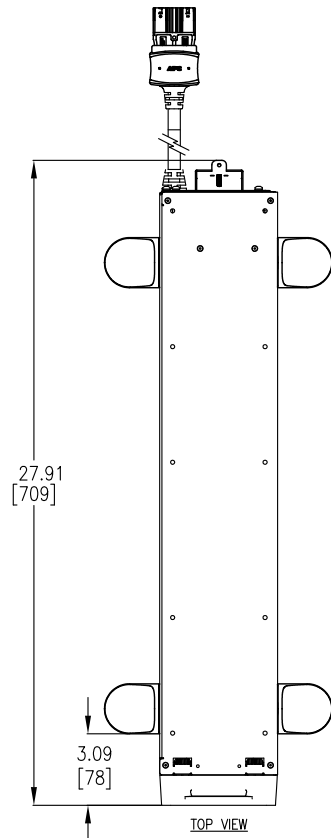
**DWG NO:** SRT5KXLT+SRT192BP

**DRAWN BY:** S CUNHA 08-OCT-14

**ENGINEER:** C KUMARSWAMY 08-OCT-14

**APPROVED BY:** M BEG 08-OCT-14

**REV** 0  
 THIRD ANGLE PROJ



**NOTES:**

1. INSTALLATION SHALL COMPLY WITH ALL APPLICABLE NATIONAL, STATE AND LOCAL CODES.
2. PLEASE REFER TO PRODUCT DOCUMENTATION FOR FURTHER INFORMATION.
3. UNLESS OTHERWISE SPECIFIED, ALL DIMENSIONS ARE IN INCHES [MILLIMETERS].
4. WEIGHT OF UNIT IS 200.20 LBS [91.00 KG].
5. CABLE ENTRY FROM REAR SIDE OF UNIT.

THIS DRAWING AND SPECIFICATIONS HEREIN ARE THE PROPERTY OF SCHNEIDER ELECTRIC AND SHALL NOT BE COPIED, REPRODUCED OR USED IN WHOLE OR IN PART, AS THE BASIS FOR THE MANUFACTURE OR SALE OF ITEMS WITHOUT WRITTEN PERMISSION FROM SCHNEIDER ELECTRIC. THIS DRAWING IS BASED UPON LATEST AVAILABLE INFORMATION AND IS SUBJECT TO CHANGE WITHOUT NOTICE.



TITLE: Smart-UPS On-Line (SRT)  
SRT5KXLT + SRT192BP - TOWER  
INPUT: 208/240V, 3W, NEMA L6-30P  
OUTPUT: 208/240V, (2)NEMA L6-20R, (2)NEMA L6-30R  
XBP MAIN MECHANICAL

PROJECT: STD SUBMITTAL DRAWING SHEET 5 of 11

DWG NO: SRT5KXLT+SRT192BP

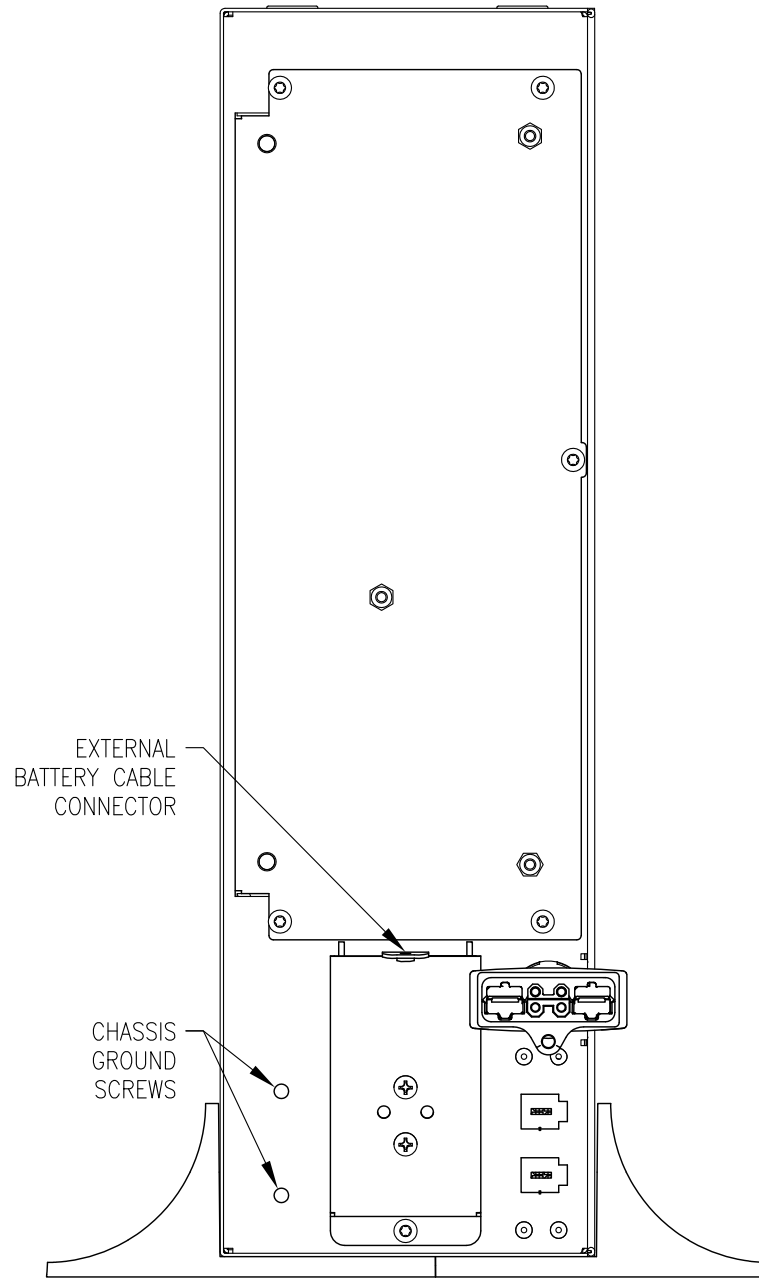
DRAWN BY: S CUNHA 08-OCT-14

ENGINEER: C KUMARSWAMY 08-OCT-14

APPROVED BY: M BEG 08-OCT-14

REV 0

THIRD ANGLE PROJ



EXTERNAL  
BATTERY CABLE  
CONNECTOR

CHASSIS  
GROUND  
SCREWS

REAR VIEW

**NOTES:**

1. INSTALLATION SHALL COMPLY WITH ALL APPLICABLE NATIONAL, STATE AND LOCAL CODES.
2. PLEASE REFER TO PRODUCT DOCUMENTATION FOR FURTHER INFORMATION.

THIS DRAWING AND SPECIFICATIONS HEREIN ARE THE PROPERTY OF SCHNEIDER ELECTRIC AND SHALL NOT BE COPIED, REPRODUCED OR USED IN WHOLE OR IN PART, AS THE BASIS FOR THE MANUFACTURE OR SALE OF ITEMS WITHOUT WRITTEN PERMISSION FROM SCHNEIDER ELECTRIC. THIS DRAWING IS BASED UPON LATEST AVAILABLE INFORMATION AND IS SUBJECT TO CHANGE WITHOUT NOTICE.



**TITLE:** Smart-UPS On-Line (SRT)  
SRT5KXLT + SRT192BP - TOWER  
INPUT: 208/240V, 3W, NEMA L6-30P  
OUTPUT: 208/240V, (2)NEMA L6-20R, (2)NEMA L6-30R  
XBP REAR VIEW

PROJECT: STD SUBMITTAL DRAWING SHEET 6 of 11

**DWG NO:** SRT5KXLT+SRT192BP

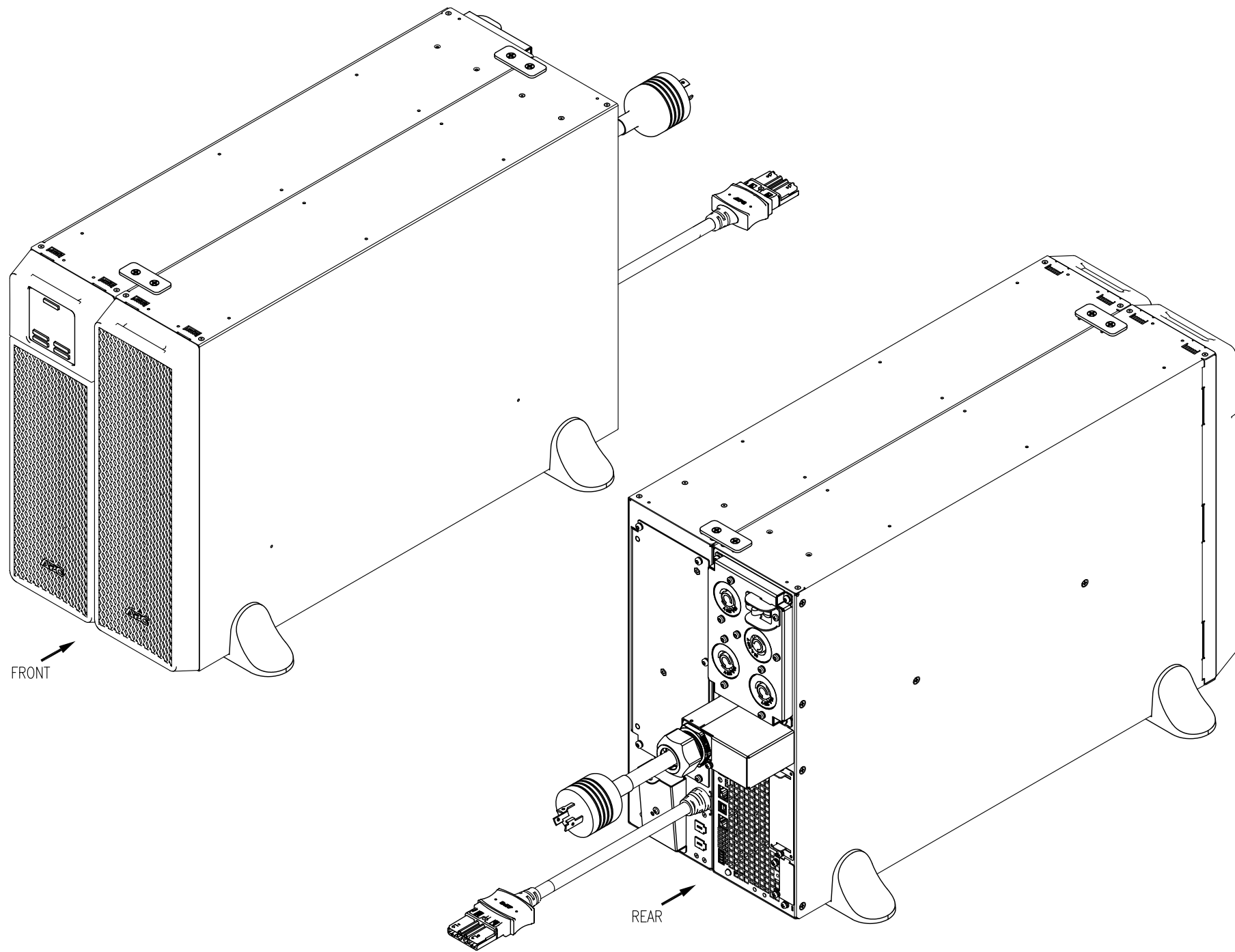
**DRAWN BY:** S CUNHA 08-OCT-14

**ENGINEER:** C KUMARSWAMY 08-OCT-14

**APPROVED BY:** M BEG 08-OCT-14

**REV** 0

**THIRD ANGLE PROJ**



FRONT →

← REAR

- NOTES:**
1. INSTALLATION SHALL COMPLY WITH ALL APPLICABLE NATIONAL AND LOCAL CODES.
  2. SEE PRODUCT DOCUMENTATION FOR FURTHER INFORMATION.

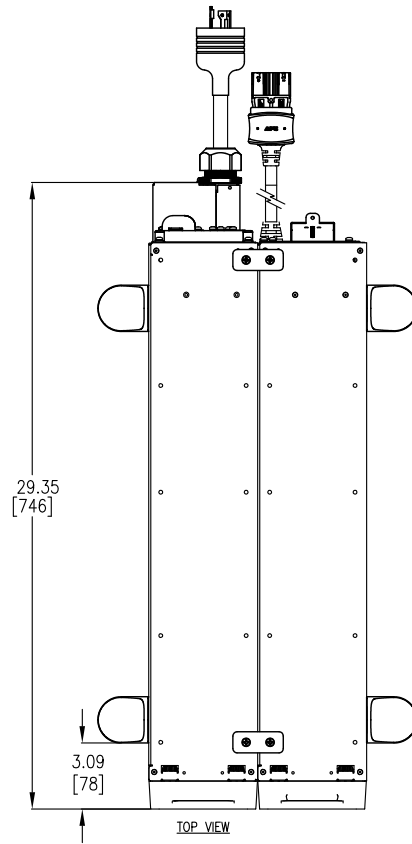
THIS DRAWING AND SPECIFICATIONS HEREIN ARE THE PROPERTY OF SCHNEIDER ELECTRIC AND SHALL NOT BE COPIED, REPRODUCED OR USED IN WHOLE OR IN PART, AS THE BASIS FOR THE MANUFACTURE OR SALE OF ITEMS WITHOUT WRITTEN PERMISSION FROM SCHNEIDER ELECTRIC. THIS DRAWING IS BASED UPON LATEST AVAILABLE INFORMATION AND IS SUBJECT TO CHANGE WITHOUT NOTICE.



**TITLE:** Smart-UPS On-Line (SRT)  
 SRT5KXLT + SRT192BP - TOWER  
 INPUT: 208/240V, 3W, NEMA L6-30P  
 OUTPUT: 208/240V, (2)NEMA L6-20R, (2)NEMA L6-30R  
 BAYED ISOMETRIC VIEWS

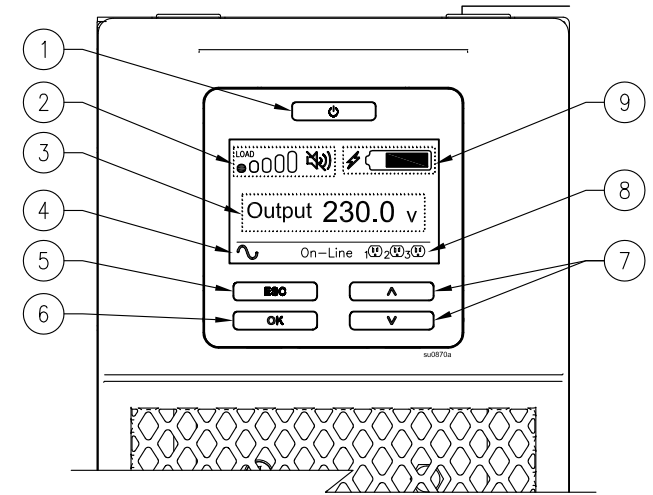
PROJECT: STD SUBMITTAL DRAWING SHEET 7 of 11

<b>DWG NO:</b> SRT5KXLT+SRT192BP	<b>REV</b> 0
<b>DRAWN BY:</b> S CUNHA	08-OCT-14
<b>ENGINEER:</b> C KUMARSWAMY	08-OCT-14
<b>APPROVED BY:</b> M BEG	08-OCT-14
	THIRD ANGLE PROJ

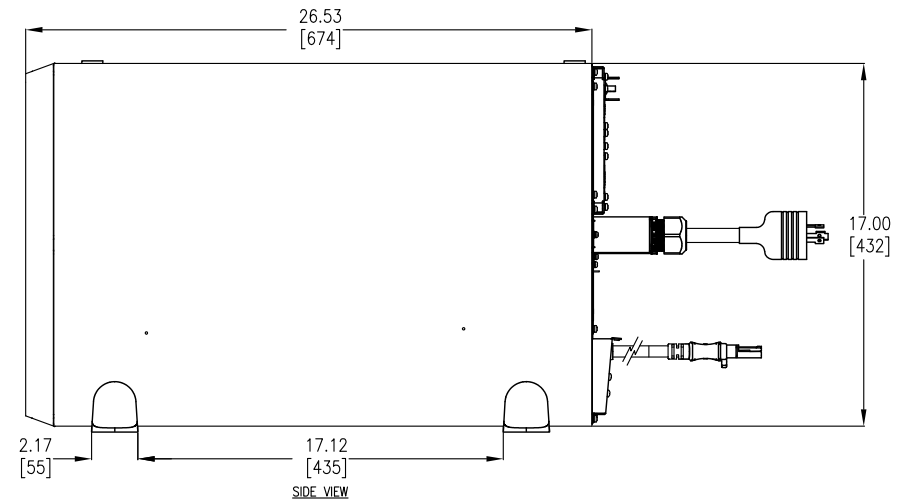
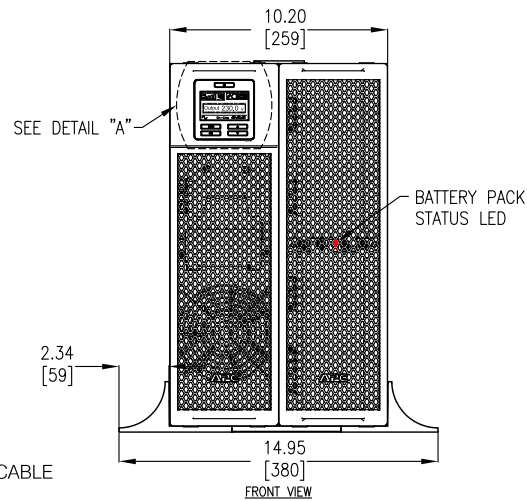


**DISPLAY INTERFACE:**

1. POWER "ON/OFF" BUTTON.
2. LOAD ICON, DISABLE/MUTE AUDIBLE ALARM ICON.
3. UPS STATUS INFORMATION.
4. OPERATION MODE ICONS.
5. "ESCAPE" BUTTON.
6. "OK" BUTTON.
7. "UP/DOWN" BUTTONS.
8. CONTROLLABLE OUTLET GROUP STATUS ICONS.
9. BATTERY STATUS ICONS.



DETAIL "A" - ENLARGED VIEW



**NOTES:**

1. INSTALLATION SHALL COMPLY WITH ALL APPLICABLE NATIONAL, STATE AND LOCAL CODES.
2. PLEASE REFER TO PRODUCT DOCUMENTATION FOR FURTHER INFORMATION.
3. UNLESS OTHERWISE SPECIFIED, ALL DIMENSIONS ARE IN INCHES [MILLIMETERS].
4. WEIGHT OF UNIT IS 320.20 LBS [145.55 KG].
5. CABLE ENTRY FROM REAR SIDE OF UNIT.

THIS DRAWING AND SPECIFICATIONS HEREIN ARE THE PROPERTY OF SCHNEIDER ELECTRIC AND SHALL NOT BE COPIED, REPRODUCED OR USED IN WHOLE OR IN PART, AS THE BASIS FOR THE MANUFACTURE OR SALE OF ITEMS WITHOUT WRITTEN PERMISSION FROM SCHNEIDER ELECTRIC. THIS DRAWING IS BASED UPON LATEST AVAILABLE INFORMATION AND IS SUBJECT TO CHANGE WITHOUT NOTICE.

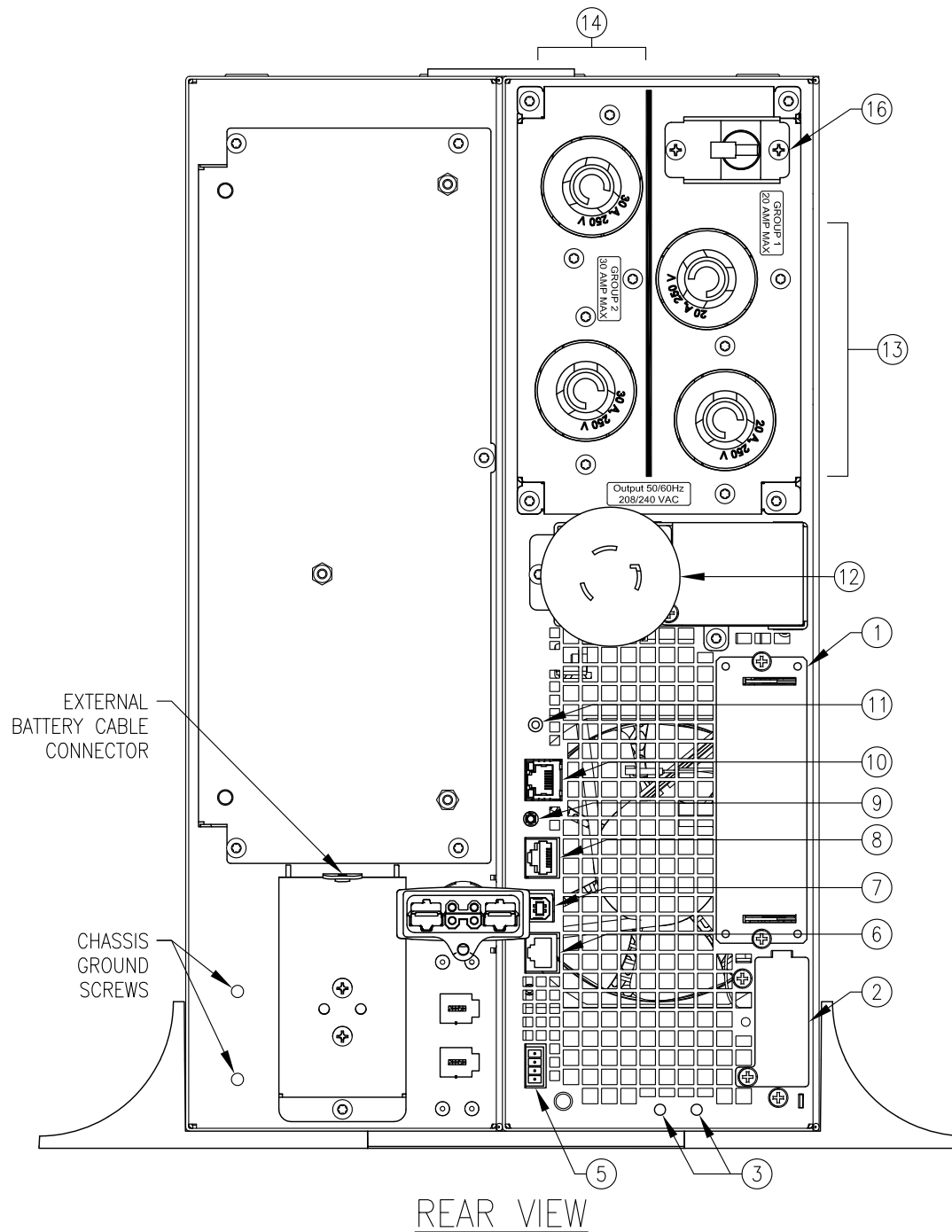


TITLE: Smart-UPS On-Line (SRT)  
SRT5KXLT + SRT192BP - TOWER  
INPUT: 208/240V, 3W, NEMA L6-30P  
OUTPUT: 208/240V, (2)NEMA L6-20R, (2)NEMA L6-30R  
BAYED MAIN MECHANICAL

PROJECT: STD SUBMITTAL DRAWING SHEET 8 of 11

DWG NO: SRT5KXLT+SRT192BP	REV 0
DRAWN BY: S CUNHA	08-OCT-14
ENGINEER: C KUMARSWAMY	08-OCT-14
APPROVED BY: M BEG	08-OCT-14
	THIRD ANGLE PROJ





**SRT5KXLT:** (NUMBERING PER OPERATIONS MANUAL)

1. SMART SLOT
2. EXTERNAL BATTERY PACK CONNECTOR
3. CHASSIS GROUND SCREWS
5. EPO TERMINAL
6. SERIAL COM
7. USB PORT
8. UNIVERSAL I/O PORT
9. CONSOLE PORT
10. NETWORK PORT
11. RESET BUTTON
12. UPS INPUT POWER CABLE
13. CONTROLLABLE OUTLET GROUP 1 [(2)NEMA L6-20R]
14. CONTROLLABLE OUTLET GROUP 2 [(2)NEMA L6-30R]
16. UPS OUTLET GROUP CIRCUIT BREAKER RESET BUTTON OR SWITCH

REAR VIEW

**NOTES:**

1. INSTALLATION SHALL COMPLY WITH ALL APPLICABLE NATIONAL, STATE AND LOCAL CODES.
2. PLEASE REFER TO PRODUCT DOCUMENTATION FOR FURTHER INFORMATION.

THIS DRAWING AND SPECIFICATIONS HEREIN ARE THE PROPERTY OF SCHNEIDER ELECTRIC AND SHALL NOT BE COPIED, REPRODUCED OR USED IN WHOLE OR IN PART, AS THE BASIS FOR THE MANUFACTURE OR SALE OF ITEMS WITHOUT WRITTEN PERMISSION FROM SCHNEIDER ELECTRIC. THIS DRAWING IS BASED UPON LATEST AVAILABLE INFORMATION AND IS SUBJECT TO CHANGE WITHOUT NOTICE.



**TITLE:** Smart-UPS On-Line (SRT)  
SRT5KXLT + SRT192BP - TOWER  
INPUT: 208/240V, 3W, NEMA L6-30P  
OUTPUT: 208/240V, (2)NEMA L6-20R, (2)NEMA L6-30R  
BAYED REAR VIEW

PROJECT: STD SUBMITTAL DRAWING SHEET 9 of 11

**DWG NO:** SRT5KXLT+SRT192BP

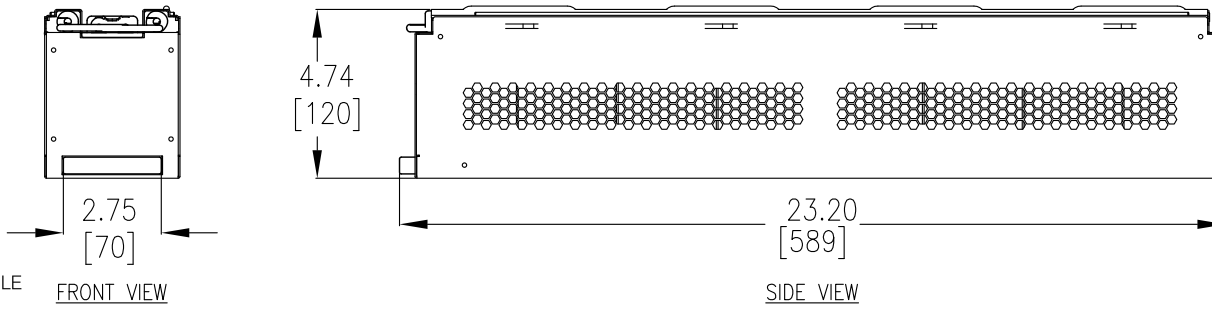
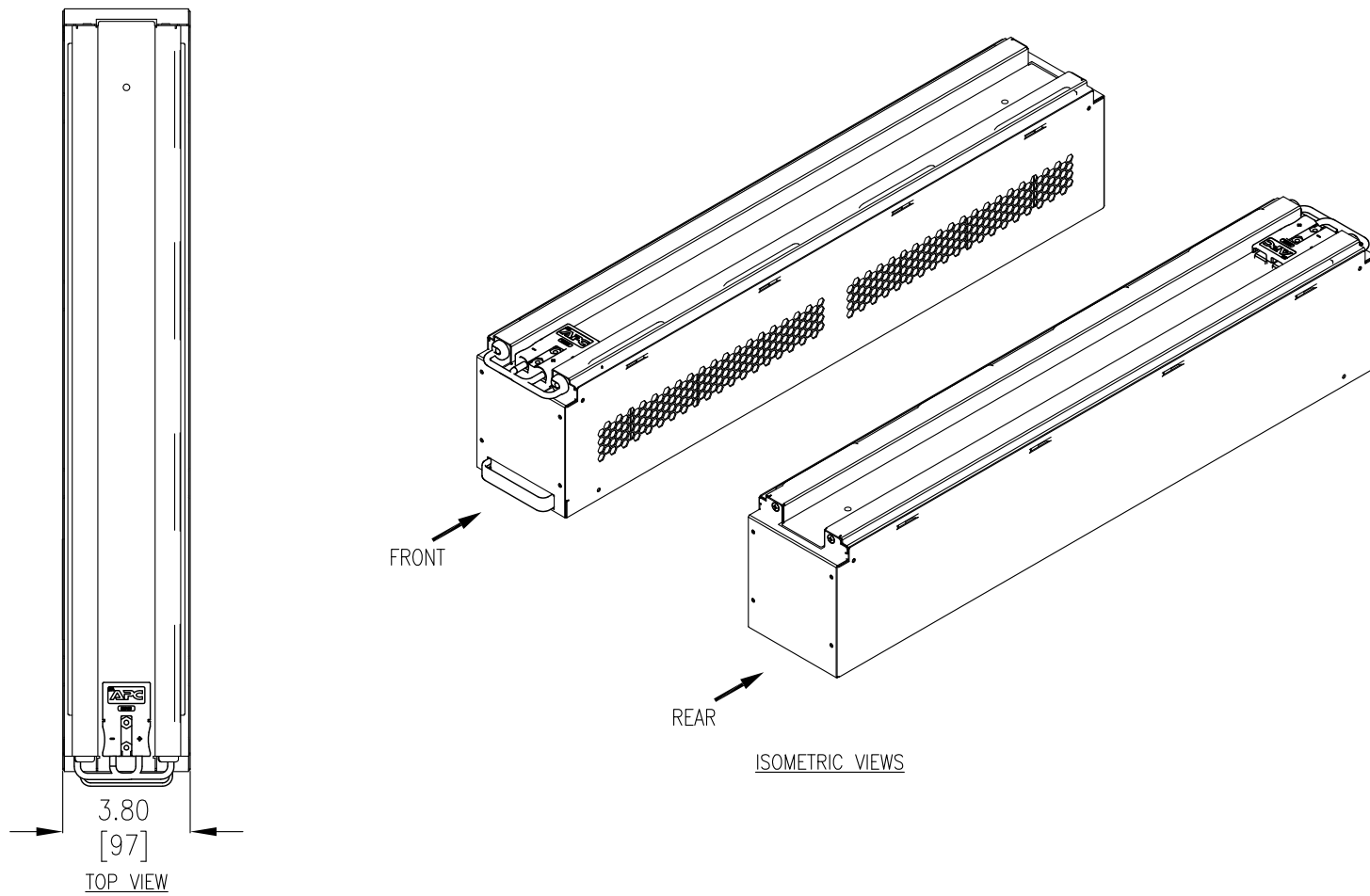
**DRAWN BY:** S CUNHA 08-OCT-14

**ENGINEER:** C KUMARSWAMY 08-OCT-14

**APPROVED BY:** M BEG 08-OCT-14

REV 0

THIRD ANGLE PROJ



**NOTES:**

1. INSTALLATION SHALL COMPLY WITH ALL APPLICABLE NATIONAL, STATE AND LOCAL CODES.
2. PLEASE REFER TO PRODUCT DOCUMENTATION FOR FURTHER INFORMATION.
3. UNLESS OTHERWISE SPECIFIED, ALL DIMENSIONS ARE IN INCHES [MILLIMETERS].
4. THE APC BATTERY REPLACEMENT CARTRIDGE, APCRBC140, CONSISTS OF (2) BATTERY MODULES.

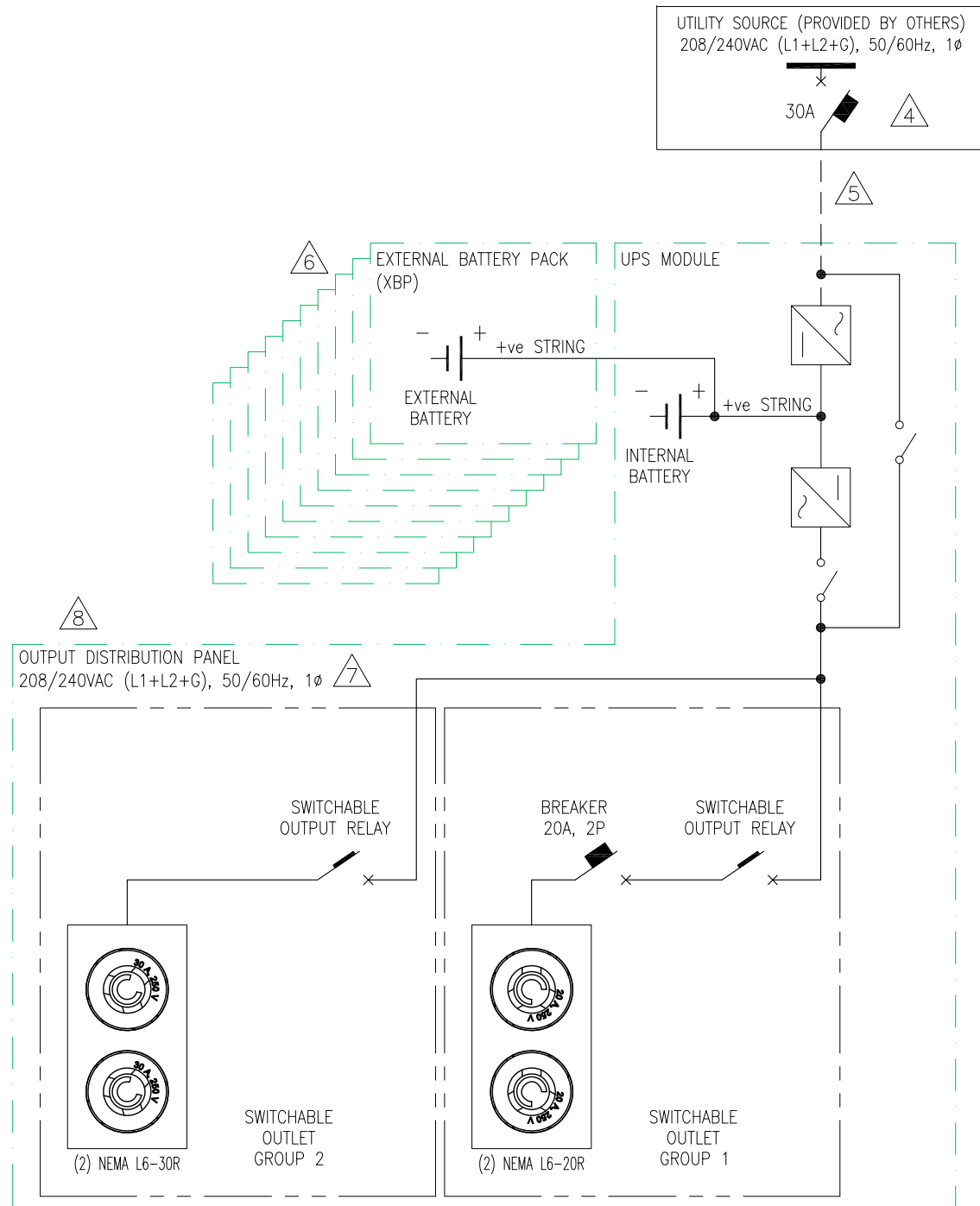
THIS DRAWING AND SPECIFICATIONS HEREIN ARE THE PROPERTY OF SCHNEIDER ELECTRIC AND SHALL NOT BE COPIED, REPRODUCED OR USED IN WHOLE OR IN PART, AS THE BASIS FOR THE MANUFACTURE OR SALE OF ITEMS WITHOUT WRITTEN PERMISSION FROM SCHNEIDER ELECTRIC. THIS DRAWING IS BASED UPON LATEST AVAILABLE INFORMATION AND IS SUBJECT TO CHANGE WITHOUT NOTICE.



TITLE: Smart-UPS On-Line (SRT)  
 SRT5KXLT + SRT192BP - TOWER  
 INPUT: 208/240V, 3W, NEMA L6-30P  
 OUTPUT: 208/240V, (2)NEMA L6-20R, (2)NEMA L6-30R  
 APC REPLACEMENT BATTERY CARTRIDGE #140  
 PROJECT: STD SUBMITTAL DRAWING SHEET 10 of 11

DWG NO: SRT5KXLT+SRT192BP  
 DRAWN BY: S CUNHA 08-OCT-14  
 ENGINEER: C KUMARSWAMY 08-OCT-14  
 APPROVED BY: M BEG 08-OCT-14

REV 0  
 THIRD ANGLE PROJ



**NOTES:**

1. INSTALLATION SHALL COMPLY WITH ALL APPLICABLE NATIONAL, STATE AND LOCAL CODES.
2. PLEASE REFER TO PRODUCT DOCUMENTATION FOR FURTHER INFORMATION.
3. STD SUBMITTAL DRAWING DEPICTS POWER SYSTEM CONNECTIONS AND IS NOT REPRESENTATIVE OF PHYSICAL LAYOUT. PLEASE REFER TO MECHANICAL STD SUBMITTAL DRAWINGS FOR MORE SPECIFIC PHYSICAL DATA.
- △ 4. UTILITY SOURCE MUST BE NOMINAL 208/240VAC (L1+L2+G), 50/60Hz, 1Ø, PROVIDED BY OTHERS.
- △ 5. DASHED LINE BETWEEN UTILITY SOURCE AND THE UNIT (-----) REPRESENTS THE NEMA L6-30P INPUT CORD SET PROVIDED WITH THE UNIT.
- △ 6. ADDITIONAL EXTERNAL BATTERY PACKS (UP TO 10), CAN BE CONNECTED TO INCREASE THE RUN TIME FURTHER.
- △ 7. OUTPUT DISTRIBUTION PANEL CONTAINS SWITCHABLE OUTPUT GROUPS. REFER TO INSTALLATION MANUAL FOR DETAILED INSTRUCTIONS.
- △ 8. OPTIONAL SRT001 OR SRT004 PDU PANEL CAN BE PURCHASED SEPARATELY AND FITTED IN PLACE OF THE EXISTING OUTPUT DISTRIBUTION PANEL TO PROVIDE ALTERNATIVE LOAD CONNECTIONS.

THIS DRAWING AND SPECIFICATIONS HEREIN ARE THE PROPERTY OF SCHNEIDER ELECTRIC AND SHALL NOT BE COPIED, REPRODUCED OR USED IN WHOLE OR IN PART, AS THE BASIS FOR THE MANUFACTURE OR SALE OF ITEMS WITHOUT WRITTEN PERMISSION FROM SCHNEIDER ELECTRIC. THIS DRAWING IS BASED UPON LATEST AVAILABLE INFORMATION AND IS SUBJECT TO CHANGE WITHOUT NOTICE.



**TITLE:** Smart-UPS On-Line (SRT)  
SRT5KXLT + SRT192BP - TOWER  
INPUT: 208/240V, 3W, NEMA L6-30P  
OUTPUT: 208/240V, (2)NEMA L6-20R, (2)NEMA L6-30R  
SINGLE-LINE DIAGRAM

**PROJECT:** STD SUBMITTAL DRAWING **SHEET** 11 of 11

<b>DWG NO:</b> SRT5KXLT+SRT192BP	<b>REV</b> 0
<b>DRAWN BY:</b> S CUNHA	08-OCT-14
<b>ENGINEER:</b> C JAYARAMAN	08-OCT-14
<b>APPROVED BY:</b> M BEG	08-OCT-14
	PROJ ANGLE N/A