

NOTES:

1. INSTALLATION SHALL COMPLY WITH ALL APPLICABLE NATIONAL AND LOCAL CODES.
2. SEE PRODUCT DOCUMENTATION FOR FURTHER INFORMATION.

THIS DRAWING AND SPECIFICATIONS HEREIN ARE THE PROPERTY OF SCHNEIDER ELECTRIC AND SHALL NOT BE COPIED, REPRODUCED OR USED IN WHOLE OR IN PART, AS THE BASIS FOR THE MANUFACTURE OR SALE OF ITEMS WITHOUT WRITTEN PERMISSION FROM SCHNEIDER ELECTRIC. THIS DRAWING IS BASED UPON LATEST AVAILABLE INFORMATION AND IS SUBJECT TO CHANGE WITHOUT NOTICE.



TITLE: Smart-UPS On-Line (SRT)
 SRT5KRMXLT + SRT192RMBP - RACK MOUNT
 INPUT: 208/240V, 3W, NEMA L6-30P
 OUTPUT: 208/240V, (2)NEMA L6-20R, (2)NEMA L6-30R
 UPS ISOMETRIC VIEWS

PROJECT: STD SUBMITTAL DRAWING **SHEET** 1 of 11

DWG NO: SRT5KRMXLT+SRT192RMBP

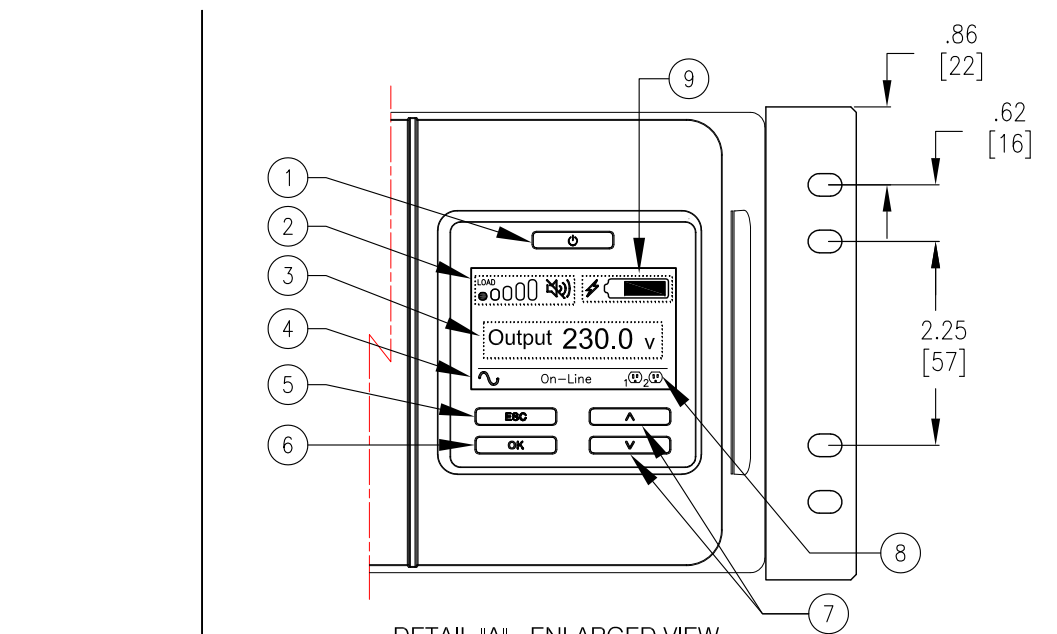
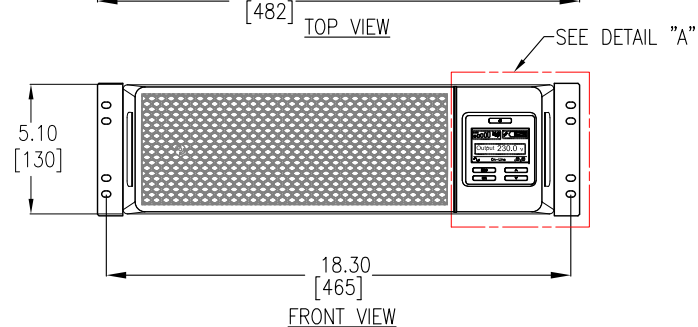
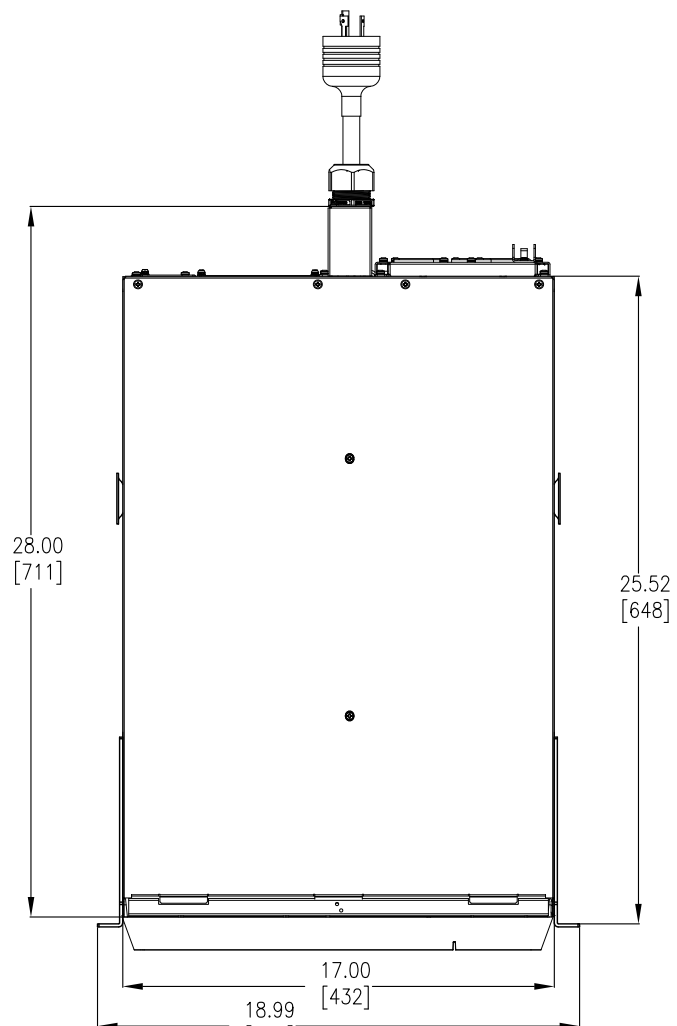
DRAWN BY: DIBYARANJAN 04-APR-24

ENGINEER: M. NARASIAH 08-APR-24

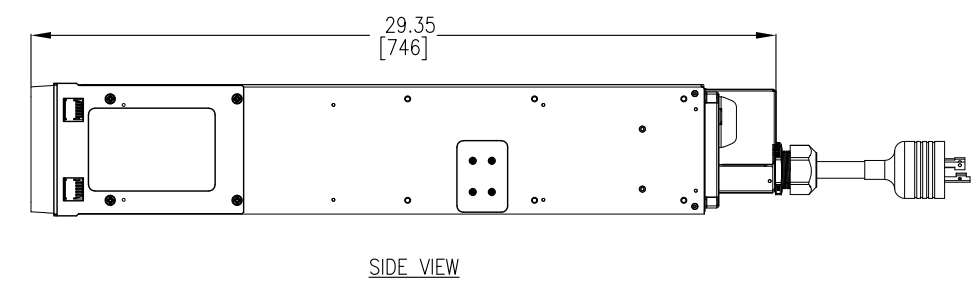
APPROVED BY: M. LIPARE 08-APR-24

REV 1

THIRD ANGLE PROJ



- DISPLAY INTERFACE:**
1. Power ON/OFF button
 2. Load icon Disable/mute audible alarm icon
 3. UPS status information
 4. Operation mode icons
 5. ESCAPE button
 6. OK button
 7. UP/DOWN button
 8. Controllable outlet group status icons
 9. Battery status icons



- NOTES:**
1. INSTALLATION SHALL COMPLY WITH ALL APPLICABLE NATIONAL, STATE AND LOCAL CODES.
 2. PLEASE REFER TO PRODUCT DOCUMENTATION FOR FURTHER INFORMATION.
 3. UNLESS OTHERWISE SPECIFIED, ALL DIMENSIONS ARE IN INCHES [MILLIMETERS].
 4. WEIGHT OF UNIT IS 128.00 LBS [58.18 KG].
 5. CABLE ENTRY FROM REAR SIDE OF UNIT.

THIS DRAWING AND SPECIFICATIONS HEREIN ARE THE PROPERTY OF SCHNEIDER ELECTRIC AND SHALL NOT BE COPIED, REPRODUCED OR USED IN WHOLE OR IN PART, AS THE BASIS FOR THE MANUFACTURE OR SALE OF ITEMS WITHOUT WRITTEN PERMISSION FROM SCHNEIDER ELECTRIC. THIS DRAWING IS BASED UPON LATEST AVAILABLE INFORMATION AND IS SUBJECT TO CHANGE WITHOUT NOTICE.



TITLE: Smart-UPS On-Line (SRT)
SRT5KRMXLT + SRT192RMBP - RACK MOUNT
INPUT: 208/240V, 3W, NEMA L6-30P
OUTPUT: 208/240V, (2)NEMA L6-20R, (2)NEMA L6-30R
UPS MAIN MECHANICAL

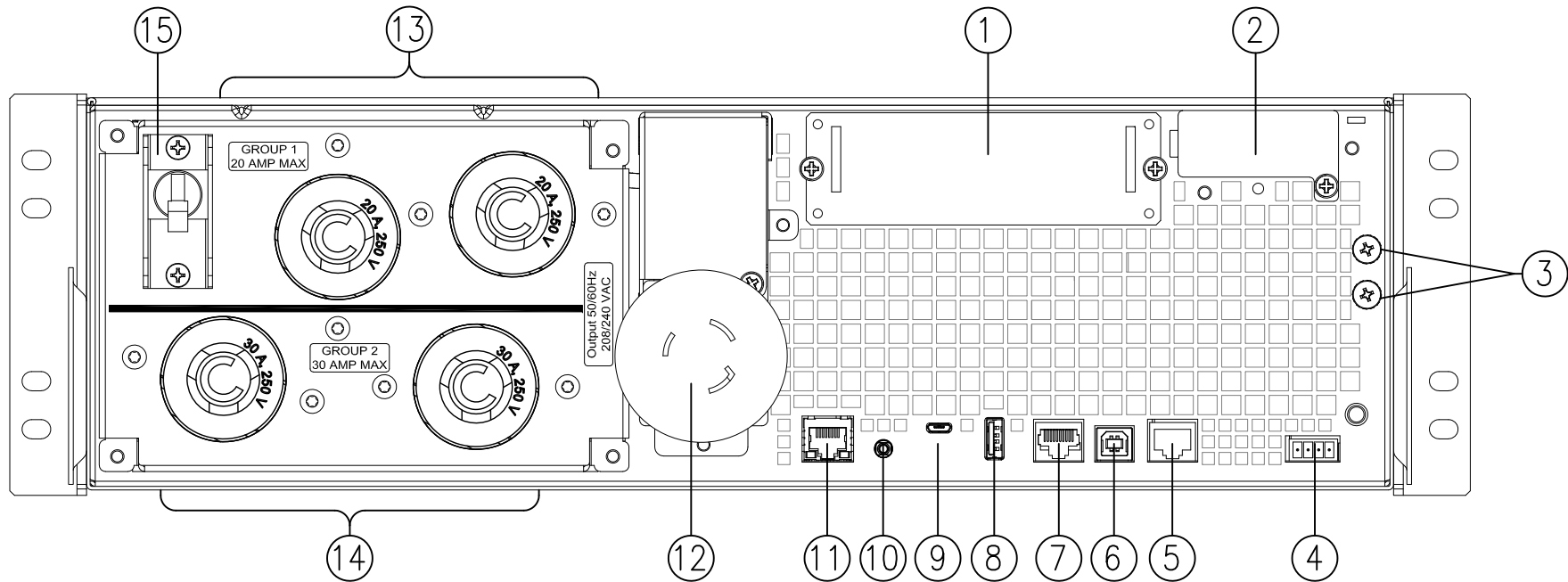
PROJECT: STD SUBMITTAL DRAWING **SHEET** 2 of 11

DWG NO: SRT5KRMXLT+SRT192RMBP

DRAWN BY: DIBYARANJAN	04-APR-24
ENGINEER: M. NARASIAH	08-APR-24
APPROVED BY: M. LIPARE	08-APR-24

REV 1

THIRD ANGLE PROJ



REAR VIEW (ENLARGED)

- | | |
|---|---|
| <ol style="list-style-type: none"> 1. Smart Slot 2. External battery power and communication connector 3. Chassis ground screws 4. EPO terminal 5. Serial Com Port 6. UPS USB Port 7. Universal I/O Port 8. USB Port 9. Console Port | <ol style="list-style-type: none"> 10. Reset Button 11. Network Port 12. AC input power cable or hardwire input box 13. Controllable outlet group-1 [(2)NEMA L6-20R] 14. Controllable outlet group-2 [(2)NEMA L6-30R] 15. Circuit breaker (Disconnect non-essential equipment in the event of overload) |
|---|---|

NOTES:

1. INSTALLATION SHALL COMPLY WITH ALL APPLICABLE NATIONAL, STATE AND LOCAL CODES.
2. PLEASE REFER TO PRODUCT DOCUMENTATION FOR FURTHER INFORMATION.

THIS DRAWING AND SPECIFICATIONS HEREIN ARE THE PROPERTY OF SCHNEIDER ELECTRIC AND SHALL NOT BE COPIED, REPRODUCED OR USED IN WHOLE OR IN PART, AS THE BASIS FOR THE MANUFACTURE OR SALE OF ITEMS WITHOUT WRITTEN PERMISSION FROM SCHNEIDER ELECTRIC. THIS DRAWING IS BASED UPON LATEST AVAILABLE INFORMATION AND IS SUBJECT TO CHANGE WITHOUT NOTICE.



TITLE: Smart-UPS On-Line (SRT)
 SRT5KRMXL + SRT192RMBP - RACK MOUNT
 INPUT: 208/240V, 3W, NEMA L6-30P
 OUTPUT: 208/240V, (2)NEMA L6-20R, (2)NEMA L6-30R
 UPS REAR VIEW

PROJECT: STD SUBMITTAL DRAWING SHEET 3 of 11

DWG NO: SRT5KRMXL + SRT192RMBP

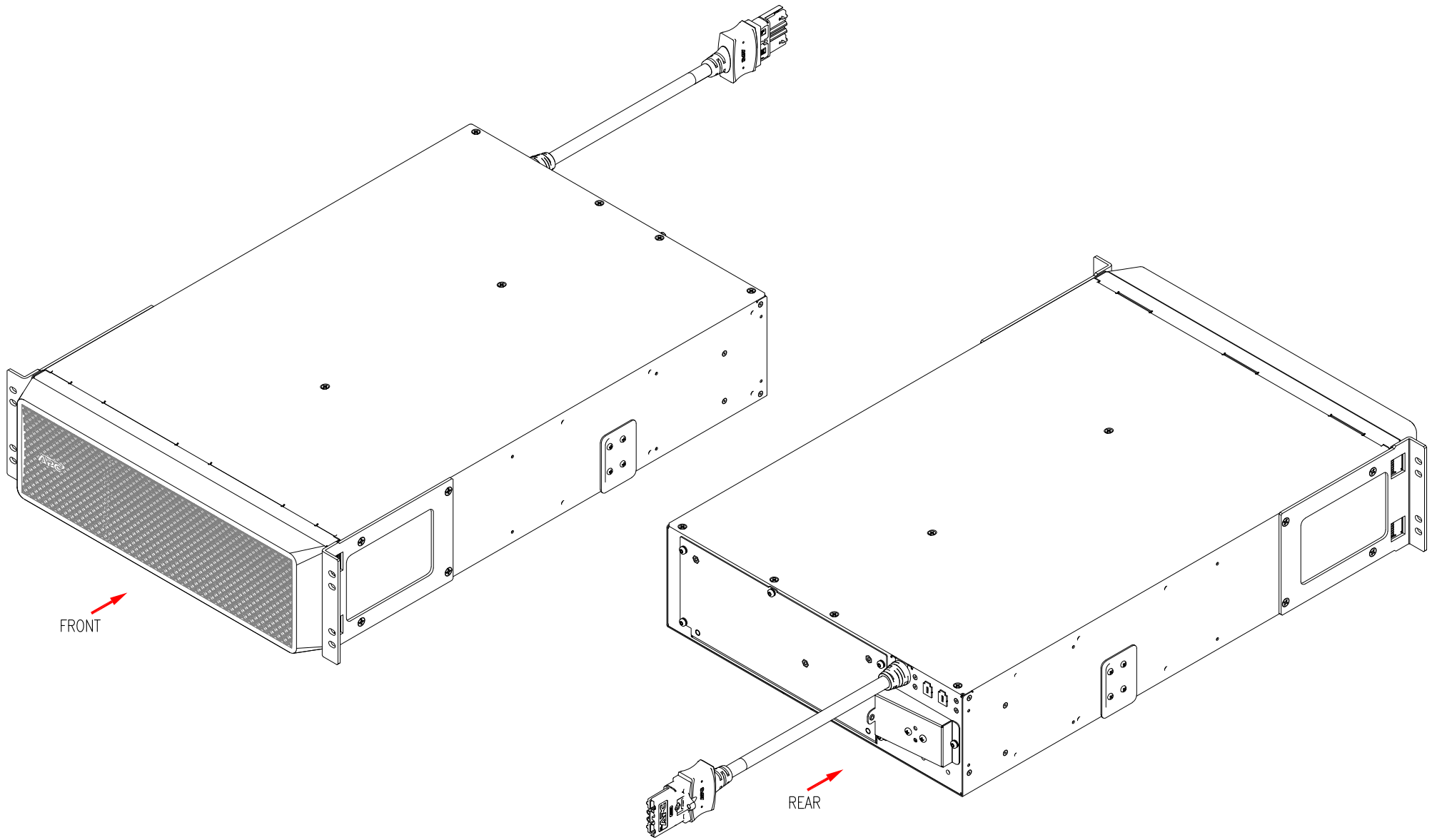
DRAWN BY: DIBYARANJAN 04-APR-24

ENGINEER: M. NARASIAH 08-APR-24

APPROVED BY: M. LIPARE 08-APR-24

REV 1

THIRD ANGLE PROJ



NOTES:

1. INSTALLATION SHALL COMPLY WITH ALL APPLICABLE NATIONAL AND LOCAL CODES.
2. SEE PRODUCT DOCUMENTATION FOR FURTHER INFORMATION.

THIS DRAWING AND SPECIFICATIONS HEREIN ARE THE PROPERTY OF SCHNEIDER ELECTRIC AND SHALL NOT BE COPIED, REPRODUCED OR USED IN WHOLE OR IN PART, AS THE BASIS FOR THE MANUFACTURE OR SALE OF ITEMS WITHOUT WRITTEN PERMISSION FROM SCHNEIDER ELECTRIC. THIS DRAWING IS BASED UPON LATEST AVAILABLE INFORMATION AND IS SUBJECT TO CHANGE WITHOUT NOTICE.



TITLE: Smart-UPS On-Line (SRT)
 SRT5KRMXLT + SRT192RMBP - RACK MOUNT
 INPUT: 208/240V, 3W, NEMA L6-30P
 OUTPUT: 208/240V, (2)NEMA L6-20R, (2)NEMA L6-30R
 XBP ISOMETRIC VIEWS

PROJECT: STD SUBMITTAL DRAWING **SHEET** 4 of 11

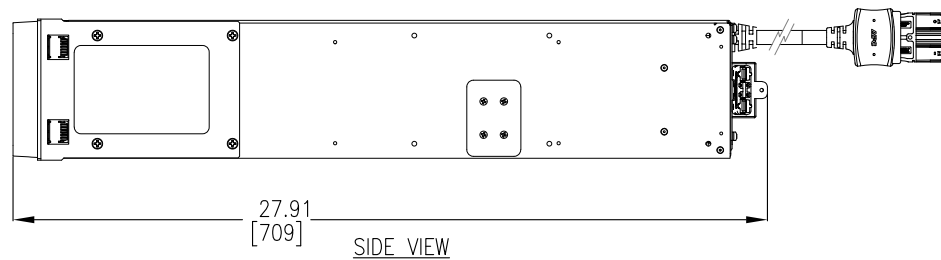
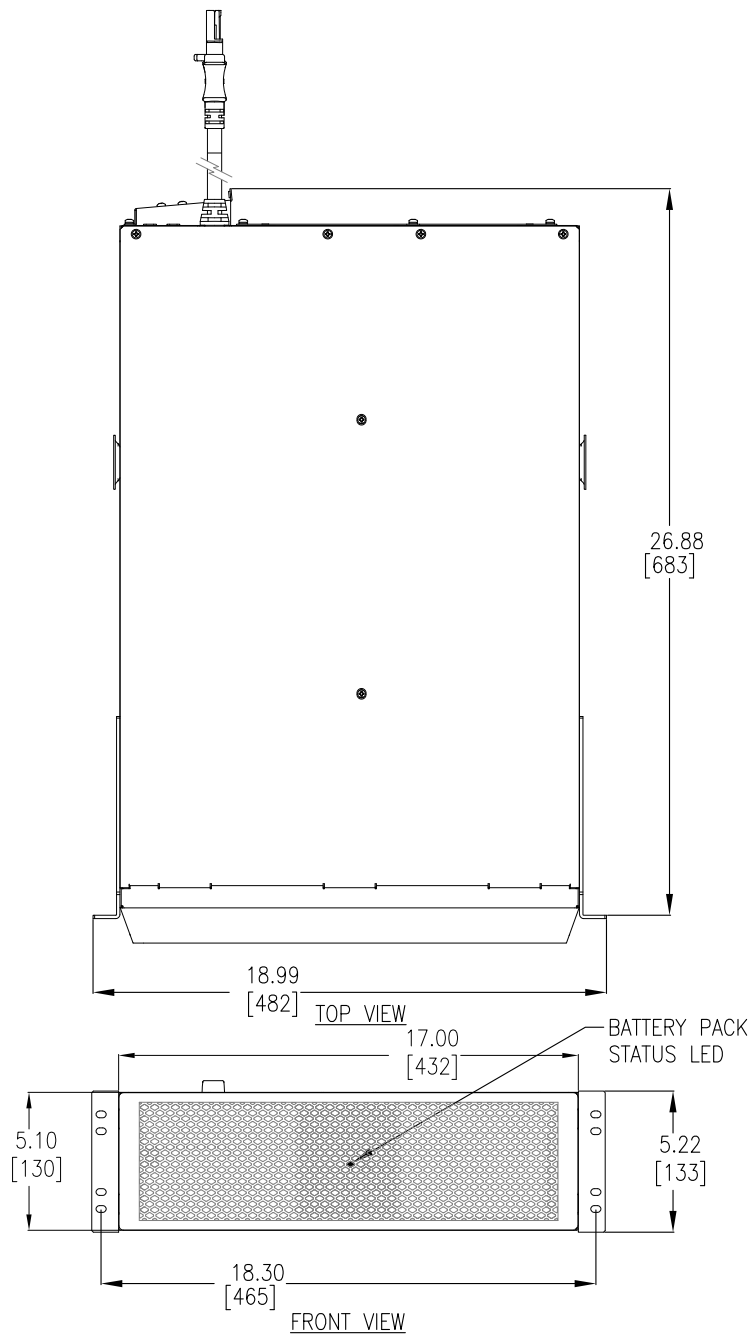
DWG NO: SRT5KRMXLT+SRT192RMBP

DRAWN BY: S CUNHA 08-OCT-14

ENGINEER: C KUMARSWAMY 08-OCT-14

APPROVED BY: M BEG 08-OCT-14

REV 0
THIRD ANGLE PROJ



NOTES:

1. INSTALLATION SHALL COMPLY WITH ALL APPLICABLE NATIONAL, STATE AND LOCAL CODES.
2. PLEASE REFER TO PRODUCT DOCUMENTATION FOR FURTHER INFORMATION.
3. UNLESS OTHERWISE SPECIFIED, ALL DIMENSIONS ARE IN INCHES [MILLIMETERS].
4. WEIGHT OF UNIT IS 200.20 LBS [91.00 KG].
5. CABLE ENTRY FROM REAR SIDE OF UNIT.

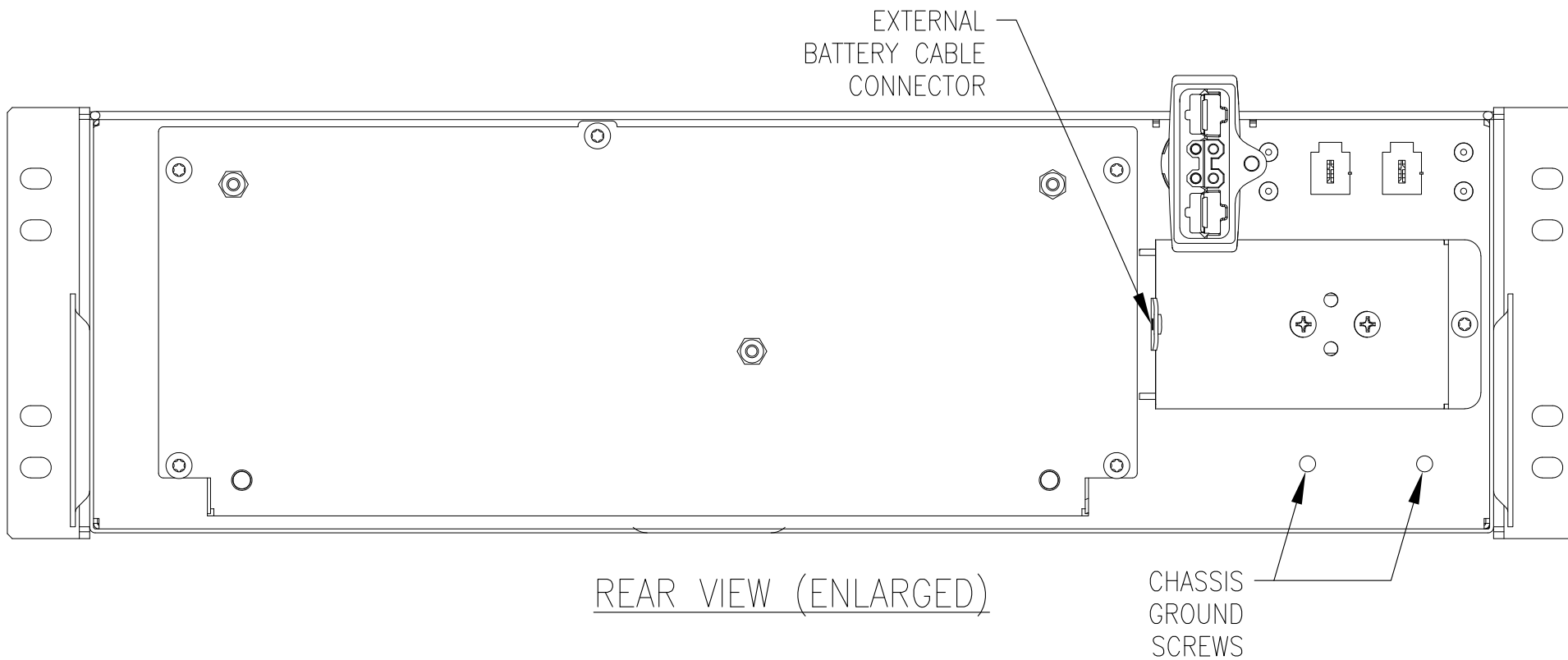
THIS DRAWING AND SPECIFICATIONS HEREIN ARE THE PROPERTY OF SCHNEIDER ELECTRIC AND SHALL NOT BE COPIED, REPRODUCED OR USED IN WHOLE OR IN PART, AS THE BASIS FOR THE MANUFACTURE OR SALE OF ITEMS WITHOUT WRITTEN PERMISSION FROM SCHNEIDER ELECTRIC. THIS DRAWING IS BASED UPON LATEST AVAILABLE INFORMATION AND IS SUBJECT TO CHANGE WITHOUT NOTICE.



TITLE: Smart-UPS On-Line (SRT)
 SRT5KRMXL + SRT192RMBP - RACK MOUNT
 INPUT: 208/240V, 3W, NEMA L6-30P
 OUTPUT: 208/240V, (2)NEMA L6-20R, (2)NEMA L6-30R
 XBP MAIN MECHANICAL

PROJECT: STD SUBMITTAL DRAWING **SHEET** 5 of 11

DWG NO: SRT5KRMXL + SRT192RMBP	REV 0
DRAWN BY: S CUNHA	08-OCT-14
ENGINEER: C KUMARSWAMY	08-OCT-14
APPROVED BY: M BEG	08-OCT-14
	THIRD ANGLE PROJ



NOTES:

1. INSTALLATION SHALL COMPLY WITH ALL APPLICABLE NATIONAL, STATE AND LOCAL CODES.
2. PLEASE REFER TO PRODUCT DOCUMENTATION FOR FURTHER INFORMATION.

THIS DRAWING AND SPECIFICATIONS HEREIN ARE THE PROPERTY OF SCHNEIDER ELECTRIC AND SHALL NOT BE COPIED, REPRODUCED OR USED IN WHOLE OR IN PART, AS THE BASIS FOR THE MANUFACTURE OR SALE OF ITEMS WITHOUT WRITTEN PERMISSION FROM SCHNEIDER ELECTRIC. THIS DRAWING IS BASED UPON LATEST AVAILABLE INFORMATION AND IS SUBJECT TO CHANGE WITHOUT NOTICE.



TITLE: Smart-UPS On-Line (SRT)
 SRT5KRMXLT + SRT192RMBP - RACK MOUNT
 INPUT: 208/240V, 3W, NEMA L6-30P
 OUTPUT: 208/240V, (2)NEMA L6-20R, (2)NEMA L6-30R
 XBP REAR VIEW

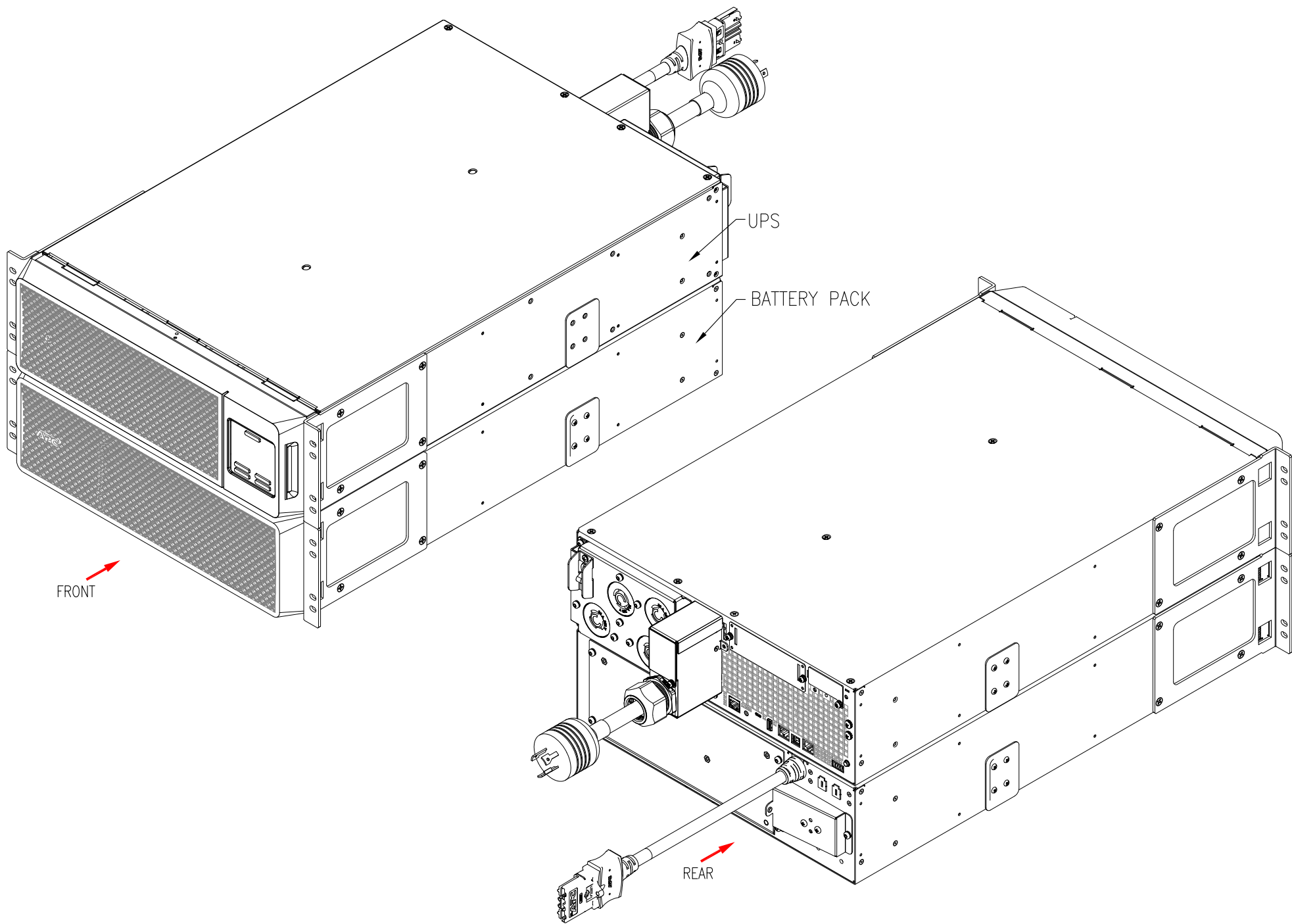
PROJECT: STD SUBMITTAL DRAWING **SHEET** 6 of 11

DWG NO: SRT5KRMXLT+SRT192RMBP

DRAWN BY: S CUNHA	08-OCT-14
ENGINEER: C KUMARSWAMY	08-OCT-14
APPROVED BY: M BEG	08-OCT-14

REV 0

THIRD ANGLE PROJ



NOTES:

1. INSTALLATION SHALL COMPLY WITH ALL APPLICABLE NATIONAL AND LOCAL CODES.
2. SEE PRODUCT DOCUMENTATION FOR FURTHER INFORMATION.

THIS DRAWING AND SPECIFICATIONS HEREIN ARE THE PROPERTY OF SCHNEIDER ELECTRIC AND SHALL NOT BE COPIED, REPRODUCED OR USED IN WHOLE OR IN PART, AS THE BASIS FOR THE MANUFACTURE OR SALE OF ITEMS WITHOUT WRITTEN PERMISSION FROM SCHNEIDER ELECTRIC. THIS DRAWING IS BASED UPON LATEST AVAILABLE INFORMATION AND IS SUBJECT TO CHANGE WITHOUT NOTICE.



TITLE: Smart-UPS On-Line (SRT)
 SRT5KRMXLT + SRT192RMBP - RACK MOUNT
 INPUT: 208/240V, 3W, NEMA L6-30P
 OUTPUT: 208/240V, (2)NEMA L6-20R, (2)NEMA L6-30R
 BAYED ISOMETRIC VIEWS

PROJECT: STD SUBMITTAL DRAWING **SHEET** 7 of 11

DWG NO: SRT5KRMXLT+SRT192RMBP

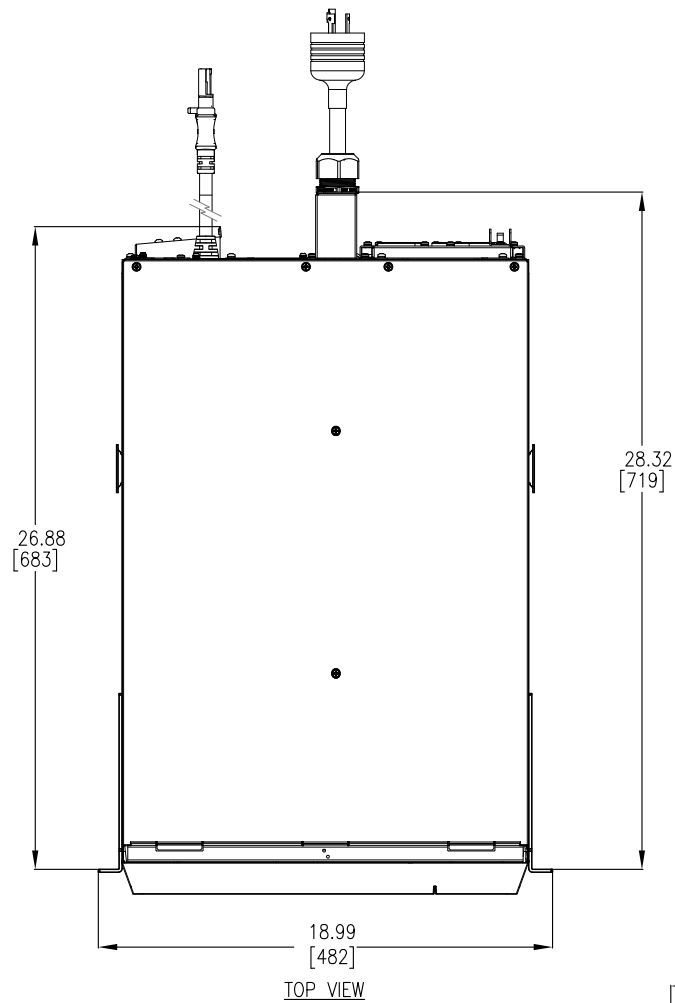
DRAWN BY: DIBYARANJAN 04-APR-24

ENGINEER: M. NARASIAH 08-APR-24

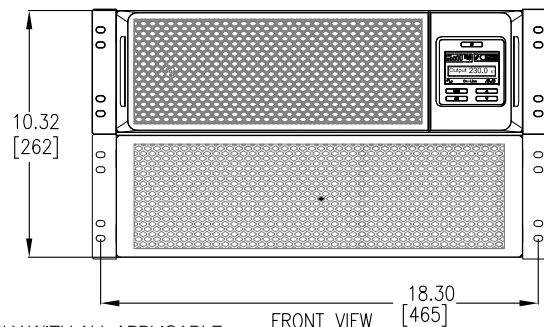
APPROVED BY: M. LIPARE 08-APR-24

REV 1

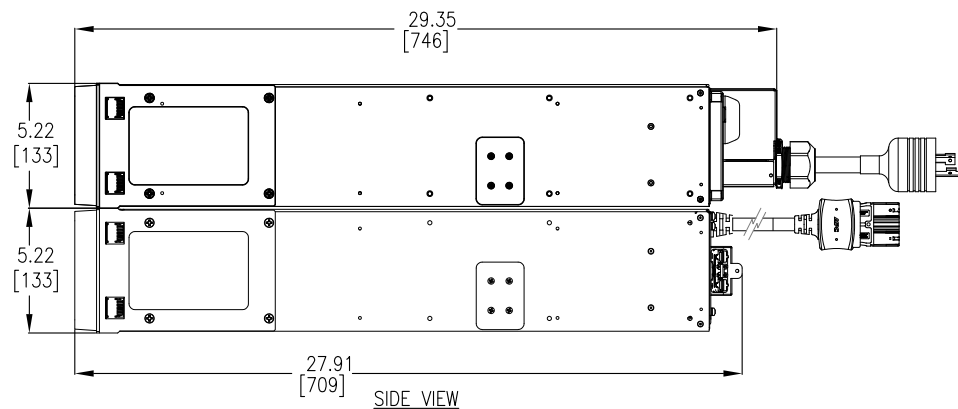
THIRD ANGLE PROJ



TOP VIEW



FRONT VIEW



SIDE VIEW

NOTES:

1. INSTALLATION SHALL COMPLY WITH ALL APPLICABLE NATIONAL, STATE AND LOCAL CODES.
2. PLEASE REFER TO PRODUCT DOCUMENTATION FOR FURTHER INFORMATION.
3. UNLESS OTHERWISE SPECIFIED, ALL DIMENSIONS ARE IN INCHES [MILLIMETERS].
4. WEIGHT OF UNIT IS 328.20 LBS [149.18 KG].
5. CABLE ENTRY FROM REAR SIDE OF UNIT.

THIS DRAWING AND SPECIFICATIONS HEREIN ARE THE PROPERTY OF SCHNEIDER ELECTRIC AND SHALL NOT BE COPIED, REPRODUCED OR USED IN WHOLE OR IN PART, AS THE BASIS FOR THE MANUFACTURE OR SALE OF ITEMS WITHOUT WRITTEN PERMISSION FROM SCHNEIDER ELECTRIC. THIS DRAWING IS BASED UPON LATEST AVAILABLE INFORMATION AND IS SUBJECT TO CHANGE WITHOUT NOTICE.



TITLE: Smart-UPS On-Line (SRT)
SRT5KRMXLT + SRT192RMBP - RACK MOUNT
INPUT: 208/240V, 3W, NEMA L6-30P
OUTPUT: 208/240V, (2)NEMA L6-20R, (2)NEMA L6-30R
BAYED MAIN MECHANICAL

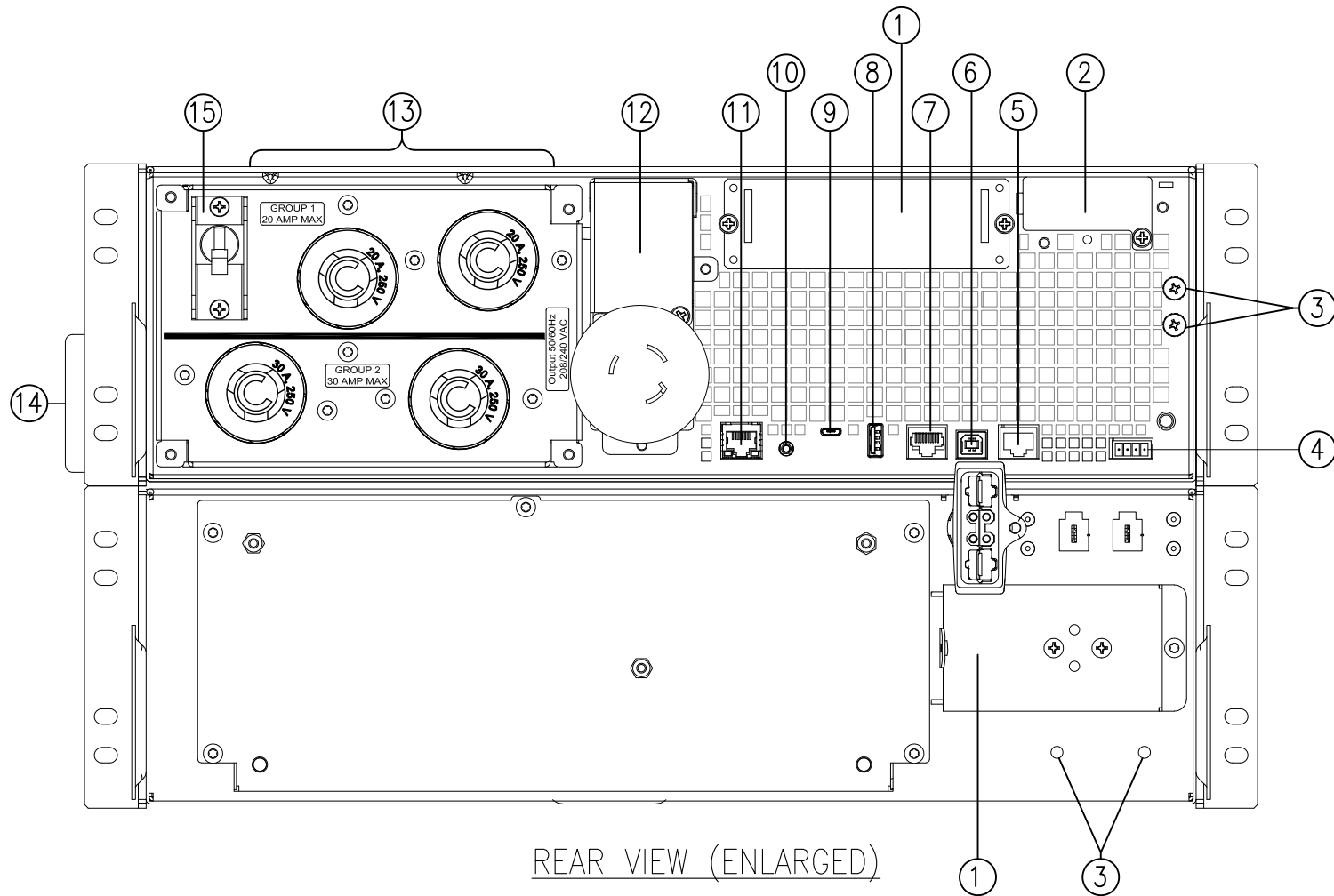
PROJECT: STD SUBMITTAL DRAWING **SHEET** 8 of 11

DWG NO: SRT5KRMXLT+SRT192RMBP

DRAWN BY: DIBYARANJAN	04-APR-24
ENGINEER: M. NARASIAH	08-APR-24
APPROVED BY: M. LIPARE	08-APR-24

REV 1

THIRD ANGLE PROJ



REAR VIEW (ENLARGED)

- | | |
|---|---|
| 1. Smart Slot | 10. Reset Button |
| 2. External battery power and communication connector | 11. Network Port |
| 3. Chassis ground screws | 12. AC input power cable or hardwire input box |
| 4. EPO terminal | 13. Controllable outlet group-1 [(2)NEMA L6-20R] |
| 5. Serial Com Port | 14. Controllable outlet group-2 [(2)NEMA L6-30R] |
| 6. UPS USB Port | 15. Circuit breaker (Disconnect non-essential equipment in the event of overload) |
| 7. Universal I/O Port | |
| 8. USB Port | |
| 9. Console Port | |

NOTES:

1. INSTALLATION SHALL COMPLY WITH ALL APPLICABLE NATIONAL, STATE AND LOCAL CODES.
2. PLEASE REFER TO PRODUCT DOCUMENTATION FOR FURTHER INFORMATION.

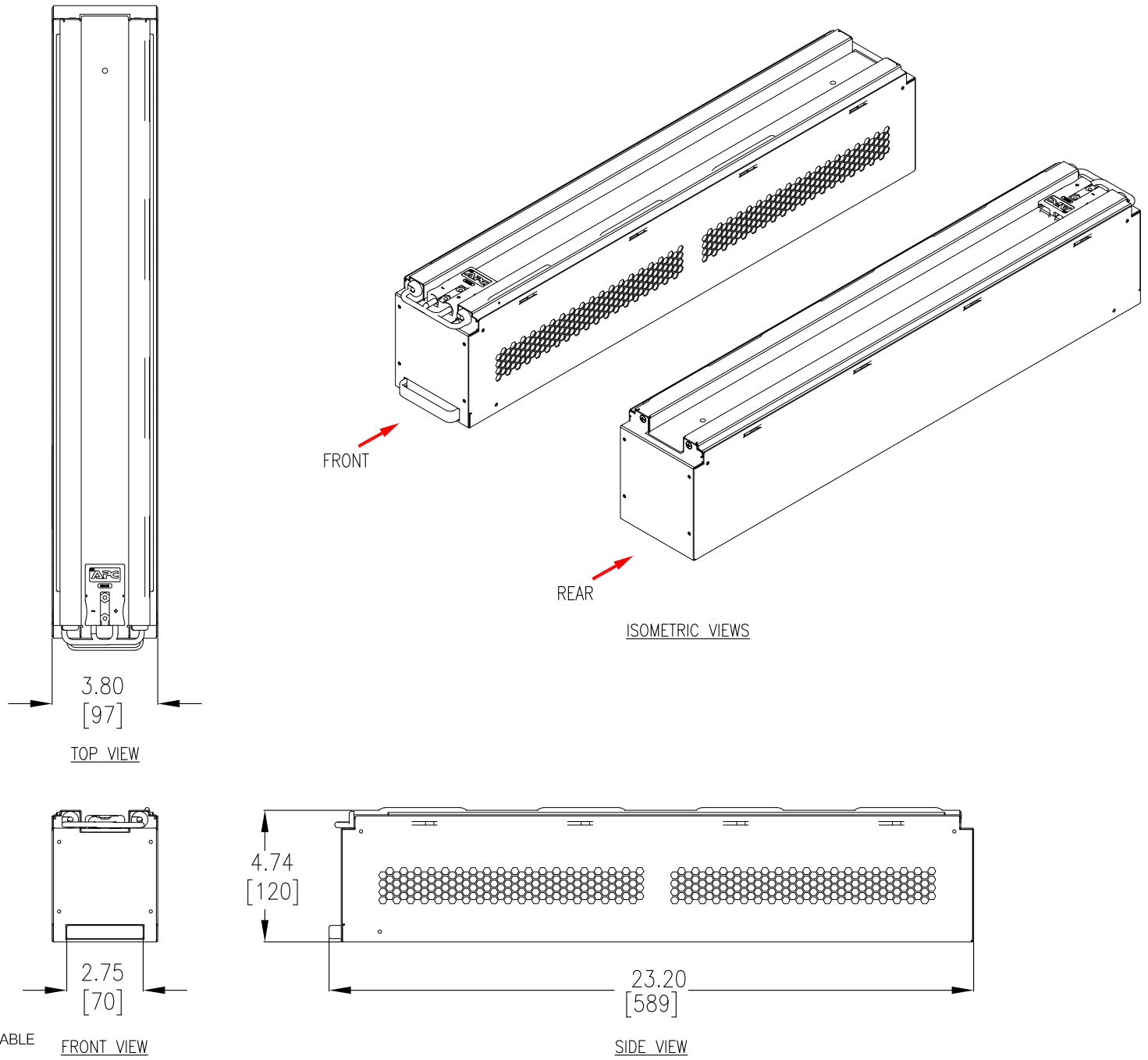
THIS DRAWING AND SPECIFICATIONS HEREIN ARE THE PROPERTY OF SCHNEIDER ELECTRIC AND SHALL NOT BE COPIED, REPRODUCED OR USED IN WHOLE OR IN PART, AS THE BASIS FOR THE MANUFACTURE OR SALE OF ITEMS WITHOUT WRITTEN PERMISSION FROM SCHNEIDER ELECTRIC. THIS DRAWING IS BASED UPON LATEST AVAILABLE INFORMATION AND IS SUBJECT TO CHANGE WITHOUT NOTICE.



TITLE: Smart-UPS On-Line (SRT)
SRT5KRMXLT + SRT192RMBP - RACK MOUNT
INPUT: 208/240V, 3W, NEMA L6-30P
OUTPUT: 208/240V, (2)NEMA L6-20R, (2)NEMA L6-30R
BAYED REAR VIEW

PROJECT: STD SUBMITTAL DRAWING **SHEET** 9 of 11

DWG NO: SRT5KRMXLT+SRT192RMBP	REV 1
DRAWN BY: DIBYARANJAN	04-APR-24
ENGINEER: M. NARASIAH	08-APR-24
APPROVED BY: M. LIPARE	08-APR-24
	THIRD ANGLE PROJ



NOTES:

1. INSTALLATION SHALL COMPLY WITH ALL APPLICABLE NATIONAL, STATE AND LOCAL CODES.
2. PLEASE REFER TO PRODUCT DOCUMENTATION FOR FURTHER INFORMATION.
3. UNLESS OTHERWISE SPECIFIED, ALL DIMENSIONS ARE IN INCHES [MILLIMETERS].
4. THE APC BATTERY REPLACEMENT CARTRIDGE, APCRBC140, CONSISTS OF (2) BATTERY MODULES.

THIS DRAWING AND SPECIFICATIONS HEREIN ARE THE PROPERTY OF SCHNEIDER ELECTRIC AND SHALL NOT BE COPIED, REPRODUCED OR USED IN WHOLE OR IN PART, AS THE BASIS FOR THE MANUFACTURE OR SALE OF ITEMS WITHOUT WRITTEN PERMISSION FROM SCHNEIDER ELECTRIC. THIS DRAWING IS BASED UPON LATEST AVAILABLE INFORMATION AND IS SUBJECT TO CHANGE WITHOUT NOTICE.



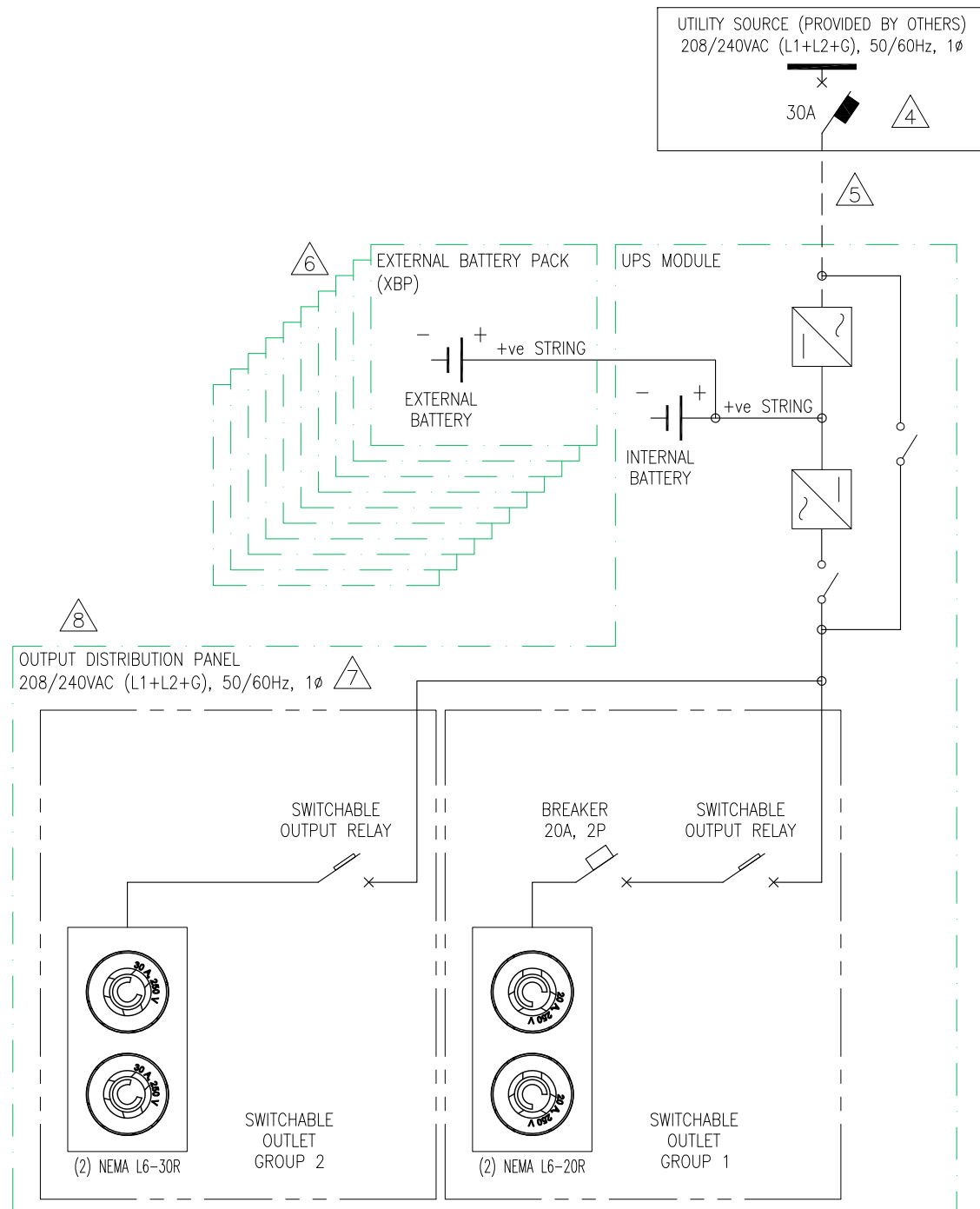
TITLE: Smart-UPS On-Line (SRT)
 SRT5KRMXLT + SRT192RMBP - RACK MOUNT
 INPUT: 208/240V, 3W, NEMA L6-30P
 OUTPUT: 208/240V, (2)NEMA L6-20R, (2)NEMA L6-30R
 APC REPLACEMENT BATTERY CARTRIDGE #140

PROJECT: STD SUBMITTAL DRAWING **SHEET** 10 of 11

DWG NO: SRT5KRMXLT+SRT192RMBP

DRAWN BY: S CUNHA	04-APR-24
ENGINEER: C KUMARSWAMY	08-APR-24
APPROVED BY: M BEG	08-APR-24

REV 0
THIRD ANGLE PROJ



NOTES:

1. INSTALLATION SHALL COMPLY WITH ALL APPLICABLE NATIONAL, STATE AND LOCAL CODES.
2. PLEASE REFER TO PRODUCT DOCUMENTATION FOR FURTHER INFORMATION.
3. STD SUBMITTAL DRAWING DEPICTS POWER SYSTEM CONNECTIONS AND IS NOT REPRESENTATIVE OF PHYSICAL LAYOUT. PLEASE REFER TO MECHANICAL STD SUBMITTAL DRAWINGS FOR MORE SPECIFIC PHYSICAL DATA.
- △ 4. UTILITY SOURCE MUST BE NOMINAL 208/240VAC (L1+L2+G), 50/60Hz, 1Ø, PROVIDED BY OTHERS.
- △ 5. DASHED LINE BETWEEN UTILITY SOURCE AND THE UNIT (-----) REPRESENTS THE NEMA L6-30P INPUT CORD SET PROVIDED WITH THE UNIT.
- △ 6. ADDITIONAL EXTERNAL BATTERY PACKS (UP TO 10), CAN BE CONNECTED TO INCREASE THE RUN TIME FURTHER.
- △ 7. OUTPUT DISTRIBUTION PANEL CONTAINS SWITCHABLE OUTPUT GROUPS. REFER TO INSTALLATION MANUAL FOR DETAILED INSTRUCTIONS.
- △ 8. OPTIONAL SRT001 OR SRT004 PDU PANEL CAN BE PURCHASED SEPARATELY AND FITTED IN PLACE OF THE EXISTING OUTPUT DISTRIBUTION PANEL TO PROVIDE ALTERNATIVE LOAD CONNECTIONS.

THIS DRAWING AND SPECIFICATIONS HEREIN ARE THE PROPERTY OF SCHNEIDER ELECTRIC AND SHALL NOT BE COPIED, REPRODUCED OR USED IN WHOLE OR IN PART, AS THE BASIS FOR THE MANUFACTURE OR SALE OF ITEMS WITHOUT WRITTEN PERMISSION FROM SCHNEIDER ELECTRIC. THIS DRAWING IS BASED UPON LATEST AVAILABLE INFORMATION AND IS SUBJECT TO CHANGE WITHOUT NOTICE.



TITLE: Smart-UPS On-Line (SRT)
 SRT5KRMXL + SRT192RMBP - RACK MOUNT
 INPUT: 208/240V, 3W, NEMA L6-30P
 OUTPUT: 208/240V, (2)NEMA L6-20R, (2)NEMA L6-30R
 SINGLE-LINE DIAGRAM

PROJECT: STD SUBMITTAL DRAWING **SHEET** 11 of 11

DWG NO: SRT5KRMXL + SRT192RMBP	REV 0
DRAWN BY: S CUNHA	08-OCT-14
ENGINEER: C JAYARAMAN	08-OCT-14
APPROVED BY: M BEG	08-OCT-14
	PROJ ANGLE N/A