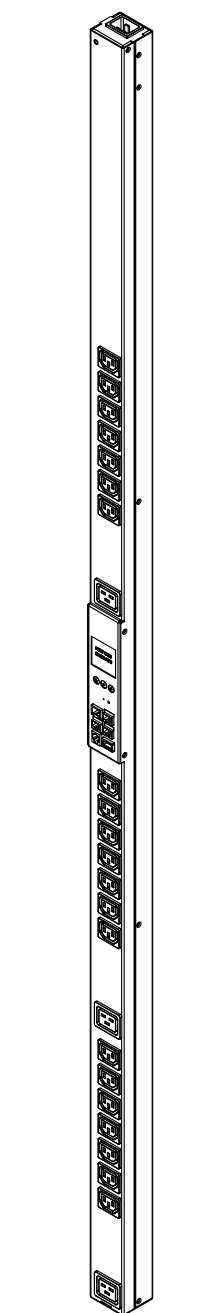
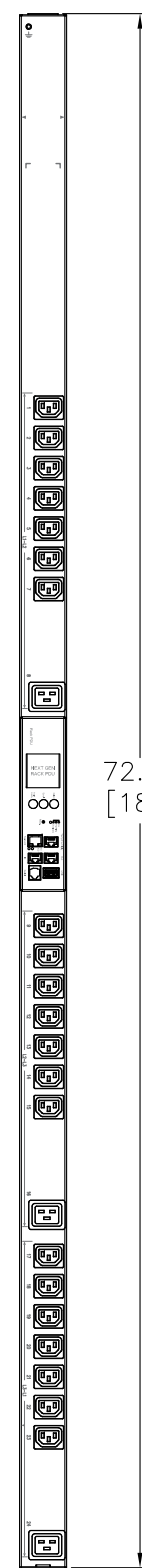


DETAIL A



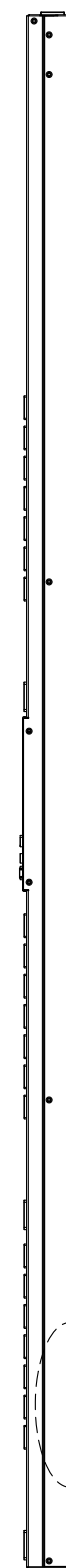
ISOMETRIC VIEW

TOP VIEW



2.18 [55]

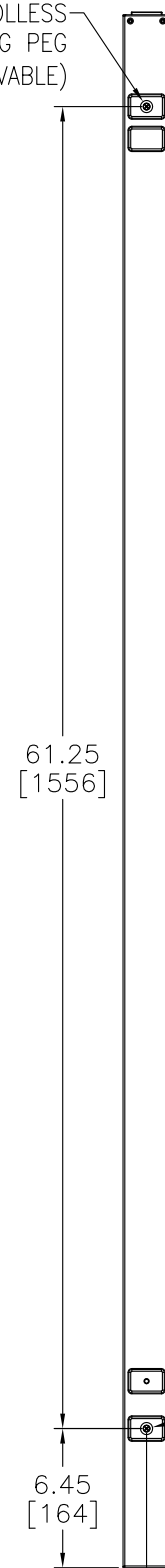
FRONT VIEW



2.00 [51]

SIDE VIEW

TOOLLESS MOUNTING PEG (REMOVABLE)



6.45 [164]

1.09 [28]

REAR VIEW

NOTES:

1. INSTALLATION SHALL COMPLY WITH ALL APPLICABLE NATIONAL, STATE AND LOCAL CODES.
2. PLEASE REFER TO PRODUCT DOCUMENTATION FOR FURTHER INFORMATION.
3. UNLESS OTHERWISE SPECIFIED, ALL DIMENSIONS ARE IN INCHES [MILLIMETERS].
4. NET WEIGHT OF UNIT IS 13.40LBS [6.08KG].
5. UNIVERSAL MOUNTING BRACKET IS AN ALTERNATIVE MOUNTING METHOD TO THE TOOLLESS MOUNT FOR 3RD PARTY ENCLOSURES. BRACKET IS PROVIDED WITH THE UNIT. DETAILED INSTALLATION INSTRUCTIONS CAN BE FOUND IN THE PROVIDED MANUAL.
6. BRACKET KITS TO MOUNT TO SPECIFIC 3RD PARTY ENCLOSURES ARE AVAILABLE AS OPTIONS.
- △ 7. REFER TO WARNING LABEL ON REAR OF UNIT FOR SCREW MOUNTING.

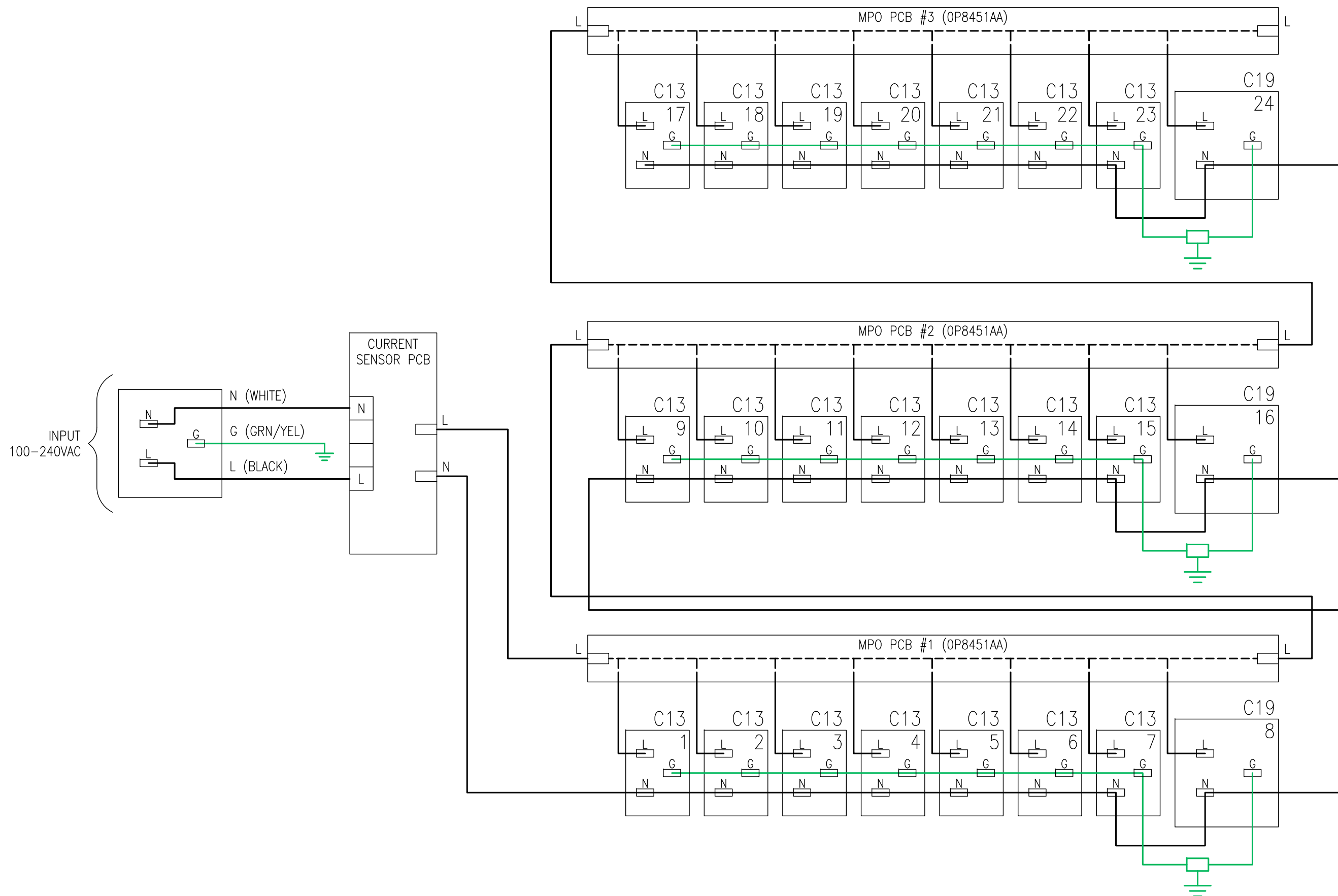
THIS DRAWING AND SPECIFICATIONS HEREIN ARE THE PROPERTY OF SCHNEIDER ELECTRIC AND SHALL NOT BE COPIED, REPRODUCED OR USED IN WHOLE OR IN PART, AS THE BASIS FOR THE MANUFACTURE OR SALE OF ITEMS WITHOUT WRITTEN PERMISSION FROM SCHNEIDER ELECTRIC. THIS DRAWING IS BASED UPON LATEST AVAILABLE INFORMATION AND IS SUBJECT TO CHANGE WITHOUT NOTICE.



TITLE: RACK PDU 2G, METERED-BY-OUTLET  
ZERO U, 16A, 100-240V  
INPUT: IEC-320 C20  
OUTPUT: (2)IEC 320 C13, (3)IEC 320 C19  
MAIN MECHANICAL  
PROJECT: STD SUBMITTAL DRAWING SHEET 1 OF 2

DWG NO: **AP8459VW**  
DRAWN BY: S CUNHA 29-SEP-14  
ENGINEER: M FIACCO 18-SEP-14  
APPROVED BY: B DUNCAN 18-SEP-14

REV. 1  
THIRD ANGLE PROJ



**NOTES:**

1. INSTALLATION SHALL COMPLY WITH ALL APPLICABLE NATIONAL, STATE AND LOCAL CODES.
2. PLEASE REFER TO PRODUCT DOCUMENTATION FOR FURTHER INFORMATION.
3. DRAWING DEPICTS POWER SYSTEM CONNECTIONS AND IS NOT REPRESENTATIVE OF PHYSICAL LAYOUT. PLEASE REFER TO MECHANICAL DRAWINGS FOR MORE SPECIFIC PHYSICAL DATA.

THIS DRAWING AND SPECIFICATIONS HEREIN ARE THE PROPERTY OF SCHNEIDER ELECTRIC AND SHALL NOT BE COPIED, REPRODUCED OR USED IN WHOLE OR IN PART, AS THE BASIS FOR THE MANUFACTURE OR SALE OF ITEMS WITHOUT WRITTEN PERMISSION FROM SCHNEIDER ELECTRIC. THIS DRAWING IS BASED UPON LATEST AVAILABLE INFORMATION AND IS SUBJECT TO CHANGE WITHOUT NOTICE.



TITLE: RACK PDU 2G, METERED-BY-OUTLET  
 ZERO U, 16A, 100-240V  
 INPUT: IEC-320 C20  
 OUTPUT: (2)IEC 320 C13, (3)IEC 320 C19  
 ELECTRICAL SCHEMATIC  
 PROJECT: STD SUBMITTAL DRAWING SHEET 2 OF 2

DWG NO: **AP8459WW** REV **0**  
 DRAWN BY: S CUNHA 18-SEP-14  
 ENGINEER: M FIACCO 18-SEP-14  
 APPROVED BY: B DUNCAN 18-SEP-14  
 PROJ ANGLE: N/A