

NOTES:

1. INSTALLATION SHALL COMPLY WITH ALL APPLICABLE NATIONAL AND LOCAL CODES.
2. SEE PRODUCT DOCUMENTATION FOR FURTHER INFORMATION.

THIS DRAWING AND SPECIFICATIONS HEREIN ARE THE PROPERTY OF SCHNEIDER ELECTRIC AND SHALL NOT BE COPIED, REPRODUCED OR USED IN WHOLE OR IN PART, AS THE BASIS FOR THE MANUFACTURE OR SALE OF ITEMS WITHOUT WRITTEN PERMISSION FROM SCHNEIDER ELECTRIC. THIS DRAWING IS BASED UPON LATEST AVAILABLE INFORMATION AND IS SUBJECT TO CHANGE WITHOUT NOTICE.



TITLE: SMART-UPS RT (SURT)
 SRT6KRMXL1 + SRT192RMBP - RACK MOUNT
 INPUT: 220/230/240V, 3W (1Ø+N+G)
 OUTPUT: 220/230/240V, HARDWIRED, (6)IEC 320 C13,
 (2)IEC 320 C19, (2) IEC 320 C19
 UPS ISOMETRIC VIEWS

DWG NO: SRT6KRMXL1+SRT192RMBP

REV 0

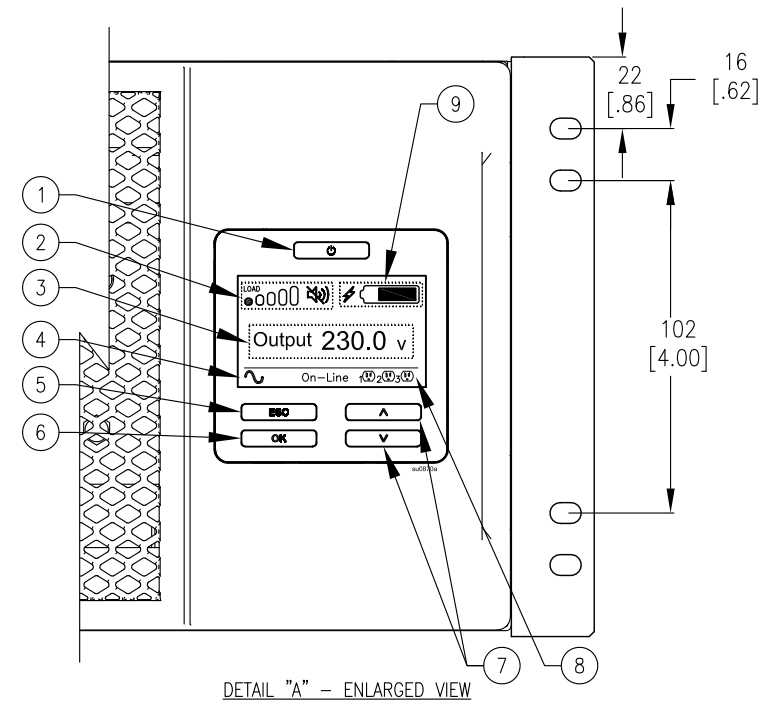
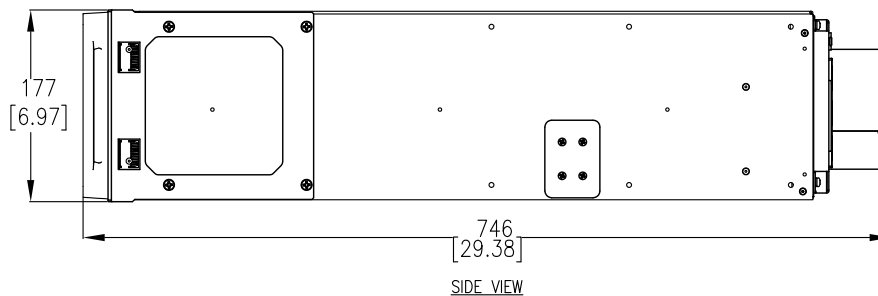
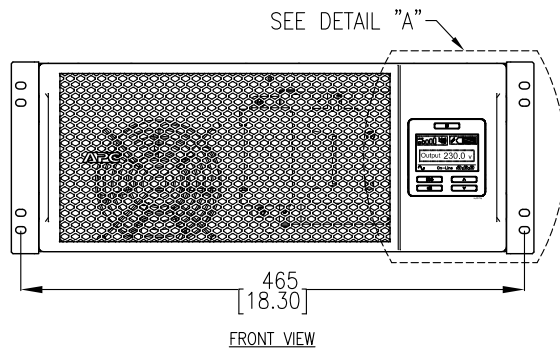
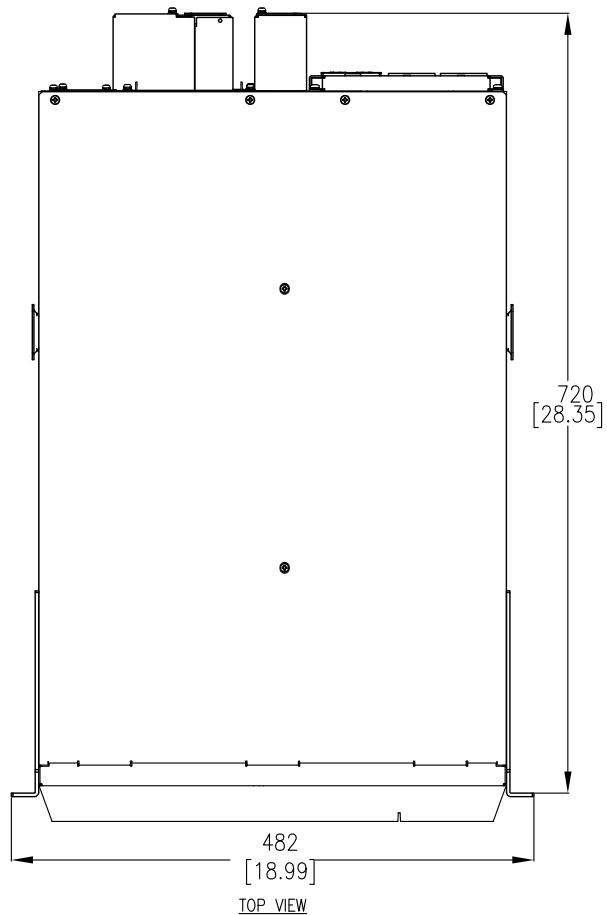
DRAWN BY: S CUNHA 28-MAY-14

THIRD ANGLE PROJ

ENGINEER: C KUMARSWAMY 28-MAY-14

PROJECT: DRAWING SHEET 1 of 11

APPROVED BY: M BEG 28-MAY-14



- DISPLAY INTERFACE:**
1. POWER "ON/OFF" BUTTON.
 2. LOAD ICON, DISABLE/MUTE AUDIBLE ALARM ICON.
 3. UPS STATUS INFORMATION.
 4. OPERATION MODE ICONS.
 5. "ESCAPE" BUTTON.
 6. "OK" BUTTON.
 7. "UP/DOWN" BUTTONS.
 8. CONTROLLABLE OUTLET GROUP STATUS ICONS.
 9. BATTERY STATUS ICONS.

NOTES:

1. INSTALLATION SHALL COMPLY WITH ALL APPLICABLE NATIONAL, STATE AND LOCAL CODES.
2. PLEASE REFER TO PRODUCT DOCUMENTATION FOR FURTHER INFORMATION.
3. UNLESS OTHERWISE SPECIFIED, ALL DIMENSIONS ARE IN MILLIMETERS [INCHES].
4. WEIGHT OF UNIT IS 60.00 KG [132.00 LBS].
5. CABLE ENTRY FROM REAR SIDE OF UNIT.

THIS DRAWING AND SPECIFICATIONS HEREIN ARE THE PROPERTY OF SCHNEIDER ELECTRIC AND SHALL NOT BE COPIED, REPRODUCED OR USED IN WHOLE OR IN PART, AS THE BASIS FOR THE MANUFACTURE OR SALE OF ITEMS WITHOUT WRITTEN PERMISSION FROM SCHNEIDER ELECTRIC. THIS DRAWING IS BASED UPON LATEST AVAILABLE INFORMATION AND IS SUBJECT TO CHANGE WITHOUT NOTICE.

Schneider Electric

TITLE: SMART-UPS RT (SURT)
SRT6KRMXL1 + SRT192RMBP - RACK MOUNT
INPUT: 220/230/240V, 3W (1Ø+N+G)
OUTPUT: 220/230/240V, HARDWIRED, (6)IEC 320 C13,
(2)IEC 320 C19, (2) IEC 320 C19
UPS MAIN MECHANICAL

PROJECT: DRAWING SHEET 2 of 11

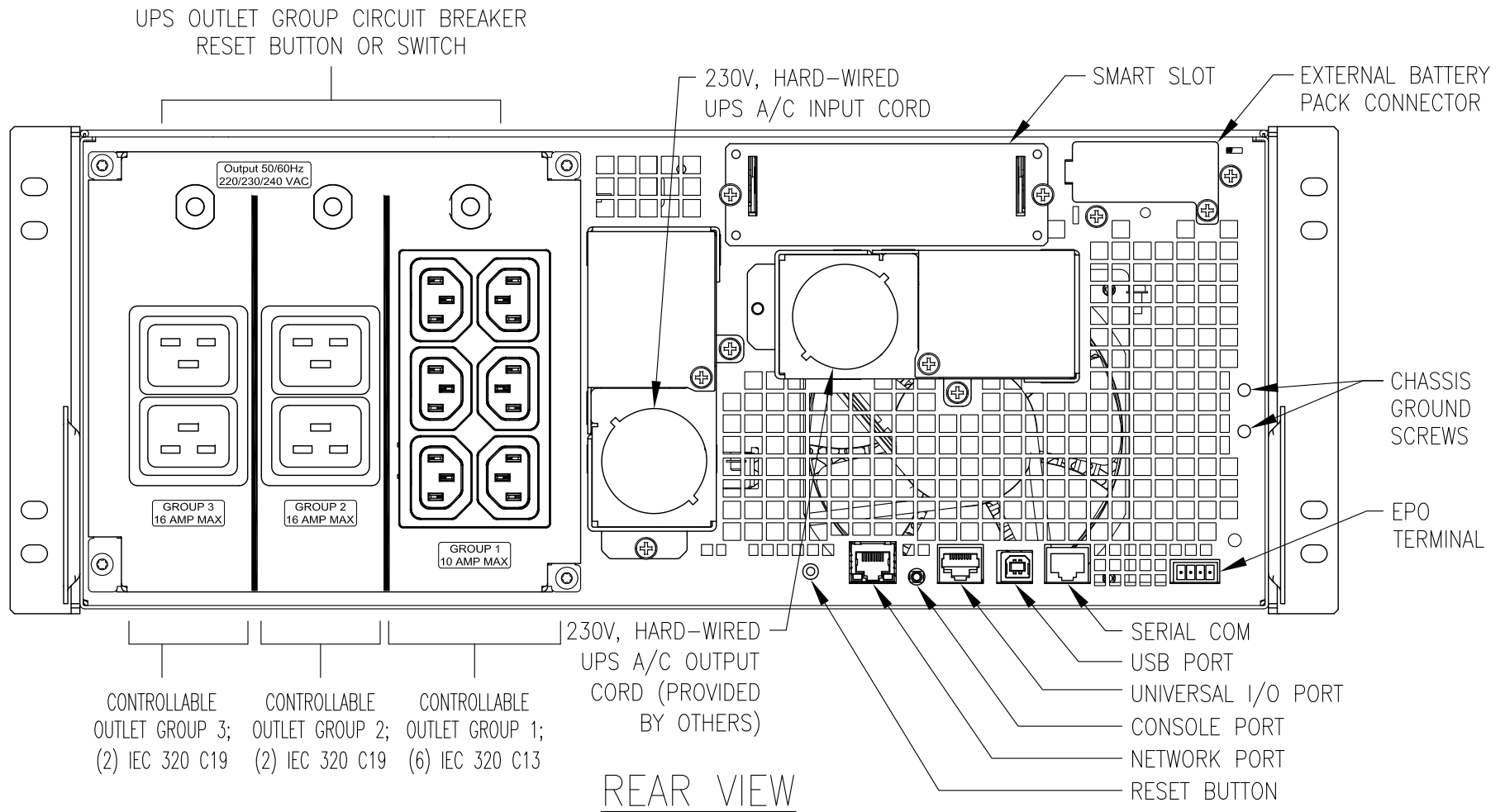
DWG NO: SRT6KRMXL1+SRT192RMBP

DRAWN BY: S CUNHA 28-MAY-14

ENGINEER: C KUMARSWAMY 28-MAY-14

APPROVED BY: M BEG 28-MAY-14

REV 0
THIRD ANGLE PROJ



NOTES:

1. INSTALLATION SHALL COMPLY WITH ALL APPLICABLE NATIONAL, STATE AND LOCAL CODES.
2. PLEASE REFER TO PRODUCT DOCUMENTATION FOR FURTHER INFORMATION.

THIS DRAWING AND SPECIFICATIONS HEREIN ARE THE PROPERTY OF SCHNEIDER ELECTRIC AND SHALL NOT BE COPIED, REPRODUCED OR USED IN WHOLE OR IN PART, AS THE BASIS FOR THE MANUFACTURE OR SALE OF ITEMS WITHOUT WRITTEN PERMISSION FROM SCHNEIDER ELECTRIC. THIS DRAWING IS BASED UPON LATEST AVAILABLE INFORMATION AND IS SUBJECT TO CHANGE WITHOUT NOTICE.



TITLE: SMART-UPS RT (SURT)
 SRT6KRMXL1 + SRT192RMBP - RACK MOUNT
 INPUT: 220/230/240V, 3W (1Ø+N+G)
 OUTPUT: 220/230/240V, HARDWIRED, (6)IEC 320 C13,
 (2)IEC 320 C19, (2) IEC 320 C13
 UPS REAR VIEW

PROJECT: DRAWING SHEET 3 of 11

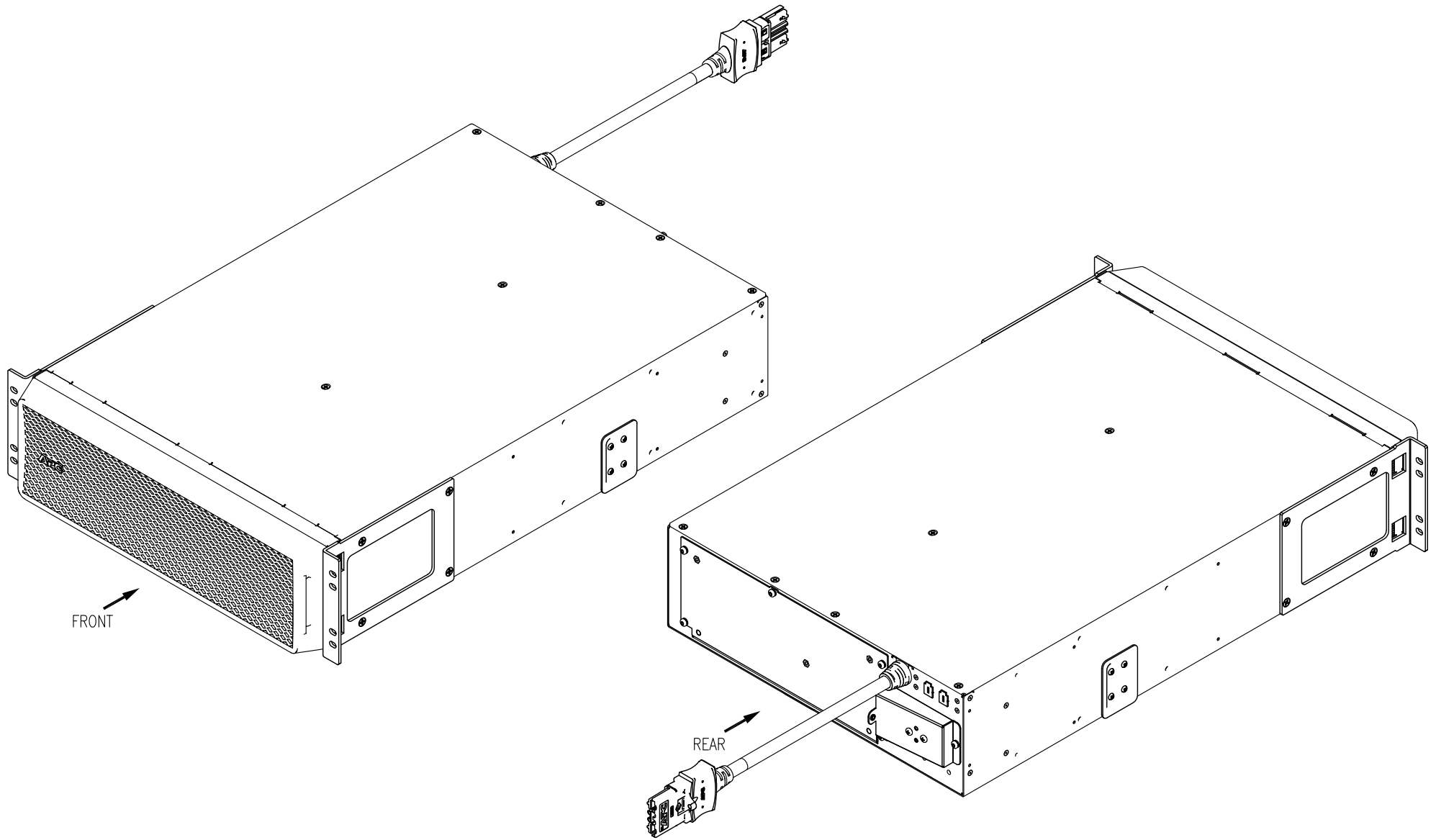
DWG NO: SRT6KRMXL1+SRT192RMBP

DRAWN BY: S CUNHA 28-MAY-14

ENGINEER: C KUMARSWAMY 28-MAY-14

APPROVED BY: M BEG 28-MAY-14

REV 0
 THIRD ANGLE PROJ



NOTES:

1. INSTALLATION SHALL COMPLY WITH ALL APPLICABLE NATIONAL AND LOCAL CODES.
2. SEE PRODUCT DOCUMENTATION FOR FURTHER INFORMATION.

THIS DRAWING AND SPECIFICATIONS HEREIN ARE THE PROPERTY OF SCHNEIDER ELECTRIC AND SHALL NOT BE COPIED, REPRODUCED OR USED IN WHOLE OR IN PART, AS THE BASIS FOR THE MANUFACTURE OR SALE OF ITEMS WITHOUT WRITTEN PERMISSION FROM SCHNEIDER ELECTRIC. THIS DRAWING IS BASED UPON LATEST AVAILABLE INFORMATION AND IS SUBJECT TO CHANGE WITHOUT NOTICE.



TITLE: SMART-UPS RT (SURT)
 SRT6KRMXL1 + SRT192RMBP - RACK MOUNT
 INPUT: 220/230/240V, 3W (1Ø+N+G)
 OUTPUT: 220/230/240V, HARDWIRED, (6)IEC 320 C13,
 (2)IEC 320 C19, (2) IEC 320 C19
 XBP ISOMETRIC VIEWS

PROJECT: DRAWING SHEET 4 of 11

DWG NO: SRT6KRMXL1+SRT192RMBP

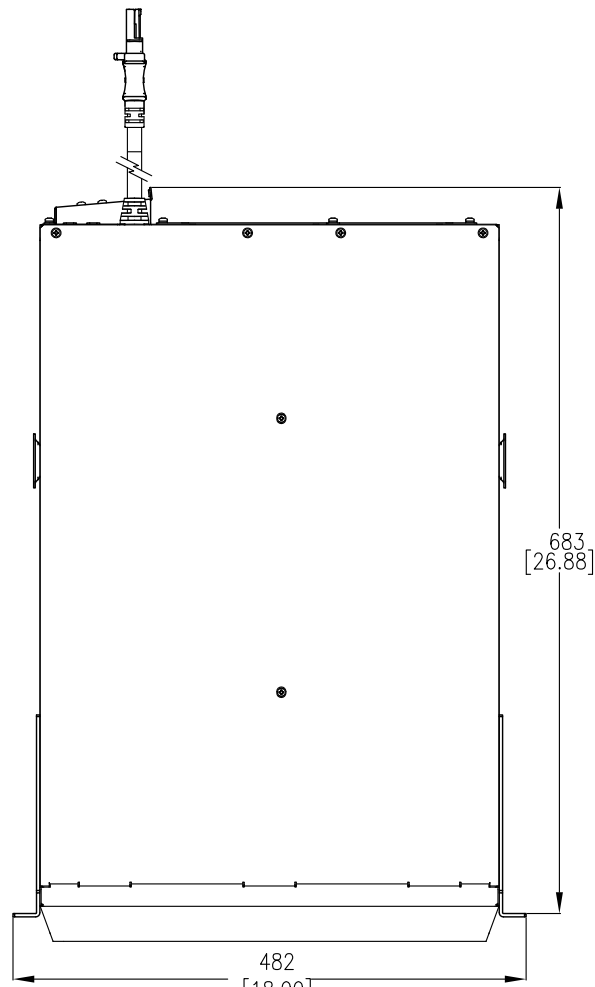
DRAWN BY: S CUNHA 28-MAY-14

ENGINEER: C KUMARSWAMY 28-MAY-14

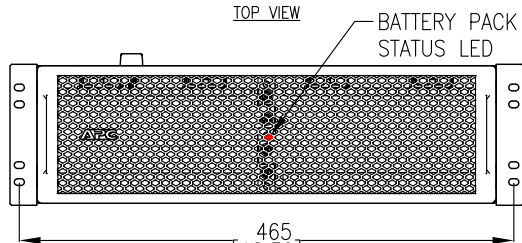
APPROVED BY: M BEG 28-MAY-14

REV 0

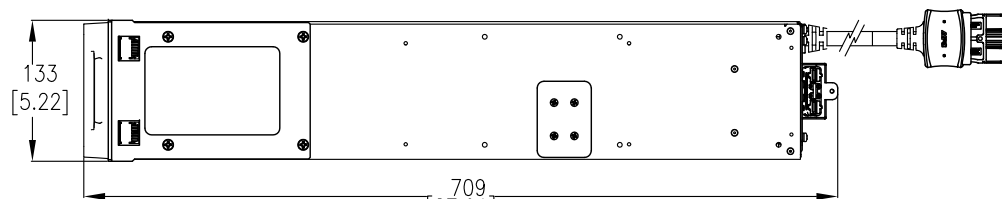
THIRD ANGLE PROJ



TOP VIEW



FRONT VIEW



SIDE VIEW

NOTES:

1. INSTALLATION SHALL COMPLY WITH ALL APPLICABLE NATIONAL, STATE AND LOCAL CODES.
2. PLEASE REFER TO PRODUCT DOCUMENTATION FOR FURTHER INFORMATION.
3. UNLESS OTHERWISE SPECIFIED, ALL DIMENSIONS ARE IN MILLIMETERS [INCHES].
4. WEIGHT OF UNIT IS 91.00 KG [200.20 LBS].
5. CABLE ENTRY FROM REAR SIDE OF UNIT.

THIS DRAWING AND SPECIFICATIONS HEREIN ARE THE PROPERTY OF SCHNEIDER ELECTRIC AND SHALL NOT BE COPIED, REPRODUCED OR USED IN WHOLE OR IN PART, AS THE BASIS FOR THE MANUFACTURE OR SALE OF ITEMS WITHOUT WRITTEN PERMISSION FROM SCHNEIDER ELECTRIC. THIS DRAWING IS BASED UPON LATEST AVAILABLE INFORMATION AND IS SUBJECT TO CHANGE WITHOUT NOTICE.



TITLE: SMART-UPS RT (SURT)
 SRT6KRMXL1 + SRT192RMBP - RACK MOUNT
 INPUT: 220/230/240V, 3W (1Ø+N+G)
 OUTPUT: 220/230/240V, HARDWIRED, (6)IEC 320 C13,
 (2)IEC 320 C19, (2) IEC 320 C19
 XBP MAIN MECHANICAL

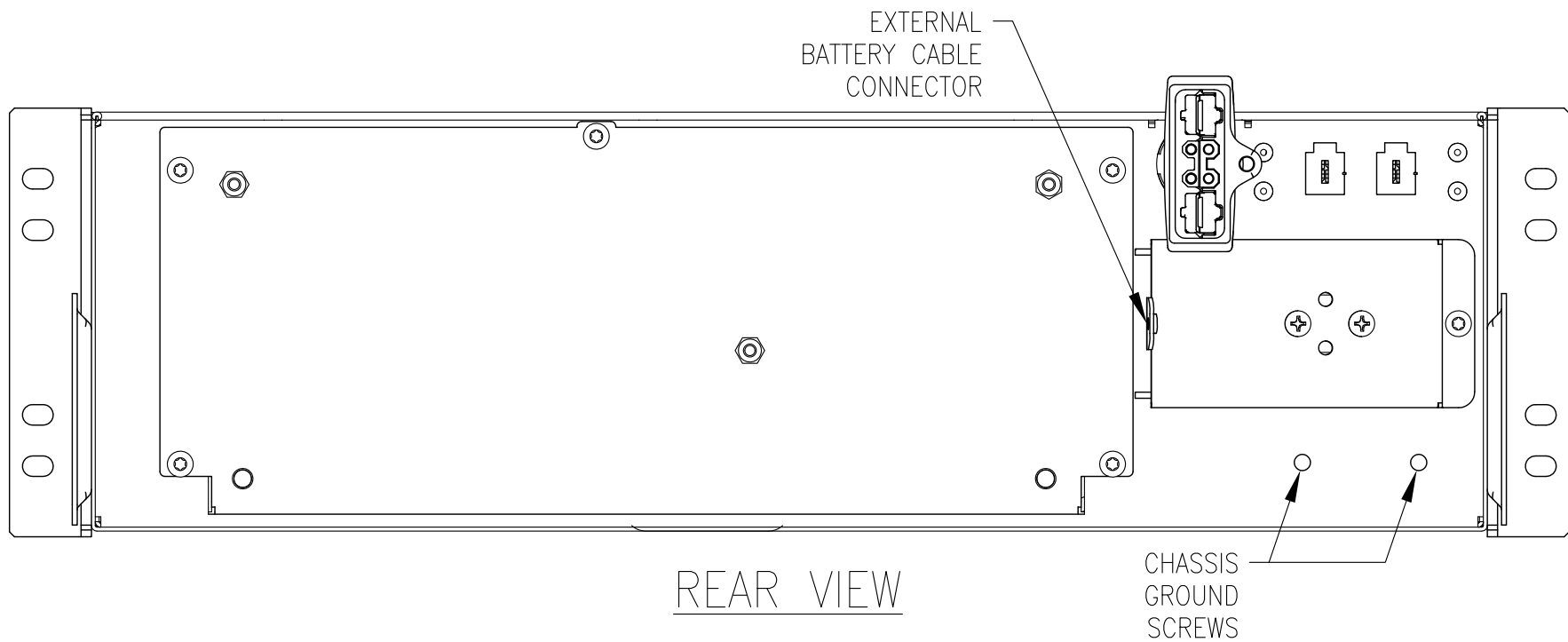
PROJECT: DRAWING SHEET 5 of 11

DWG NO: SRT6KRMXL1+SRT192RMBP

DRAWN BY: S CUNHA	28-MAY-14
ENGINEER: C KUMARSWAMY	28-MAY-14
APPROVED BY: M BEG	28-MAY-14

REV 0

THIRD ANGLE PROJ



NOTES:

1. INSTALLATION SHALL COMPLY WITH ALL APPLICABLE NATIONAL, STATE AND LOCAL CODES.
2. PLEASE REFER TO PRODUCT DOCUMENTATION FOR FURTHER INFORMATION.

THIS DRAWING AND SPECIFICATIONS HEREIN ARE THE PROPERTY OF SCHNEIDER ELECTRIC AND SHALL NOT BE COPIED, REPRODUCED OR USED IN WHOLE OR IN PART, AS THE BASIS FOR THE MANUFACTURE OR SALE OF ITEMS WITHOUT WRITTEN PERMISSION FROM SCHNEIDER ELECTRIC. THIS DRAWING IS BASED UPON LATEST AVAILABLE INFORMATION AND IS SUBJECT TO CHANGE WITHOUT NOTICE.



TITLE: SMART-UPS RT (SURT)
 SRT6KRMXL1 + SRT192RMBP - RACK MOUNT
 INPUT: 220/230/240V, 3W (1Ø+N+G)
 OUTPUT: 220/230/240V, HARDWIRED, (6)IEC 320 C13,
 (2)IEC 320 C19, (2) IEC 320 C19
 XBP REAR VIEW

PROJECT: DRAWING SHEET 6 of 11

DWG NO: SRT6KRMXL1+SRT192RMBP

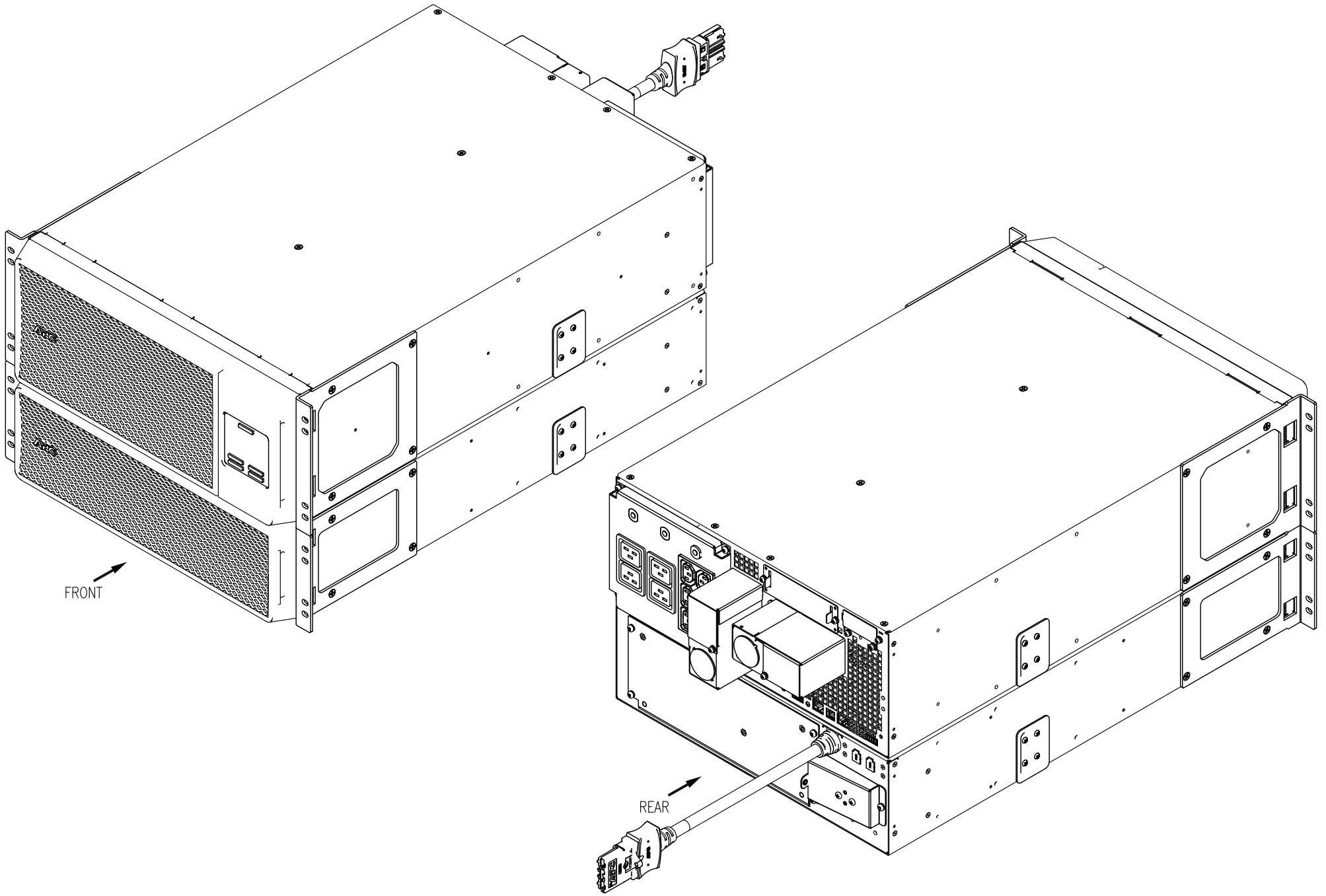
DRAWN BY: S CUNHA 28-MAY-14

ENGINEER: C KUMARSWAMY 28-MAY-14

APPROVED BY: M BEG 28-MAY-14

REV 0

THIRD ANGLE PROJ



NOTES:

1. INSTALLATION SHALL COMPLY WITH ALL APPLICABLE NATIONAL AND LOCAL CODES.
2. SEE PRODUCT DOCUMENTATION FOR FURTHER INFORMATION.

THIS DRAWING AND SPECIFICATIONS HEREIN ARE THE PROPERTY OF SCHNEIDER ELECTRIC AND SHALL NOT BE COPIED, REPRODUCED OR USED IN WHOLE OR IN PART, AS THE BASIS FOR THE MANUFACTURE OR SALE OF ITEMS WITHOUT WRITTEN PERMISSION FROM SCHNEIDER ELECTRIC. THIS DRAWING IS BASED UPON LATEST AVAILABLE INFORMATION AND IS SUBJECT TO CHANGE WITHOUT NOTICE.



TITLE: SMART-UPS RT (SURT)
 SRT6KRMXL1 + SRT192RMBP - RACK MOUNT
 INPUT: 220/230/240V, 3W (1Ø+N+G)
 OUTPUT: 220/230/240V, HARDWIRED, (6)IEC 320 C13,
 (2)IEC 320 C19, (2) IEC 320 C19
 BAYED ISOMETRIC VIEWS

PROJECT: DRAWING SHEET 7 of 11

DWG NO: SRT6KRMXL1+SRT192RMBP

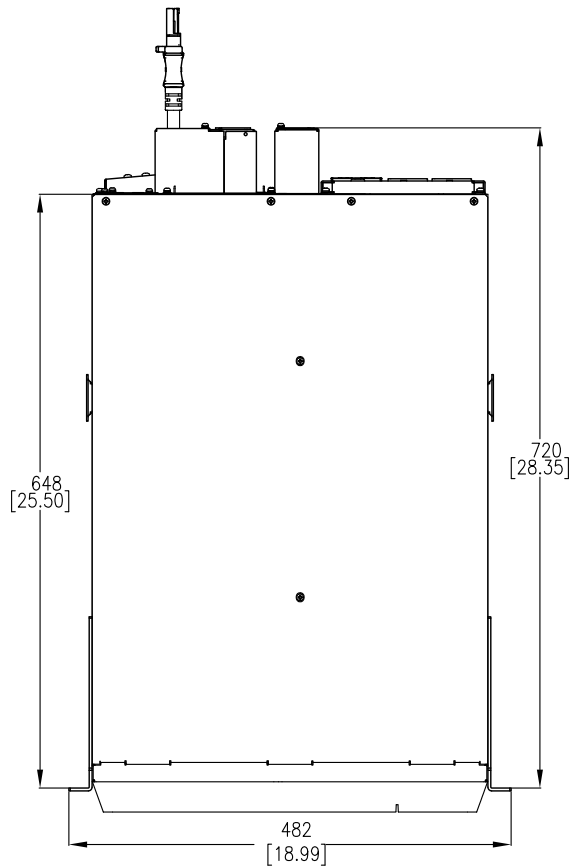
DRAWN BY: S CUNHA 28-MAY-14

ENGINEER: C KUMARSWAMY 28-MAY-14

APPROVED BY: M BEG 28-MAY-14

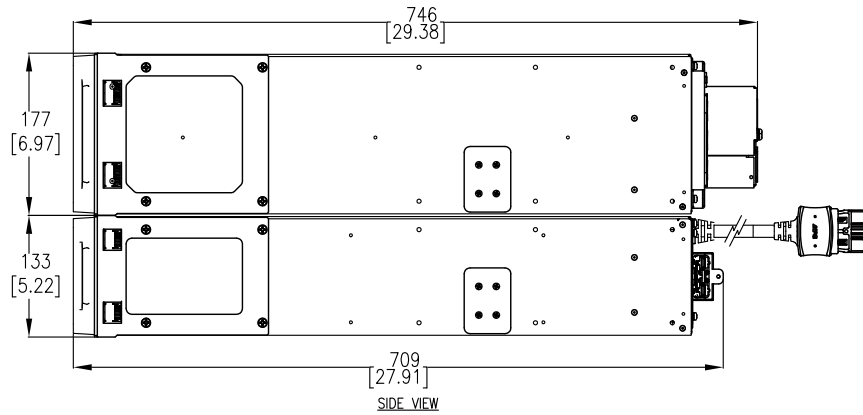
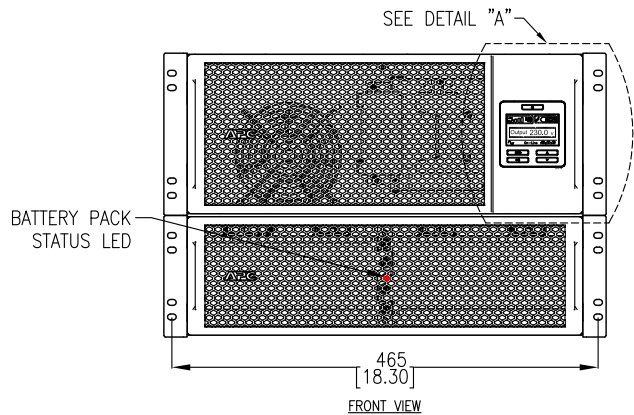
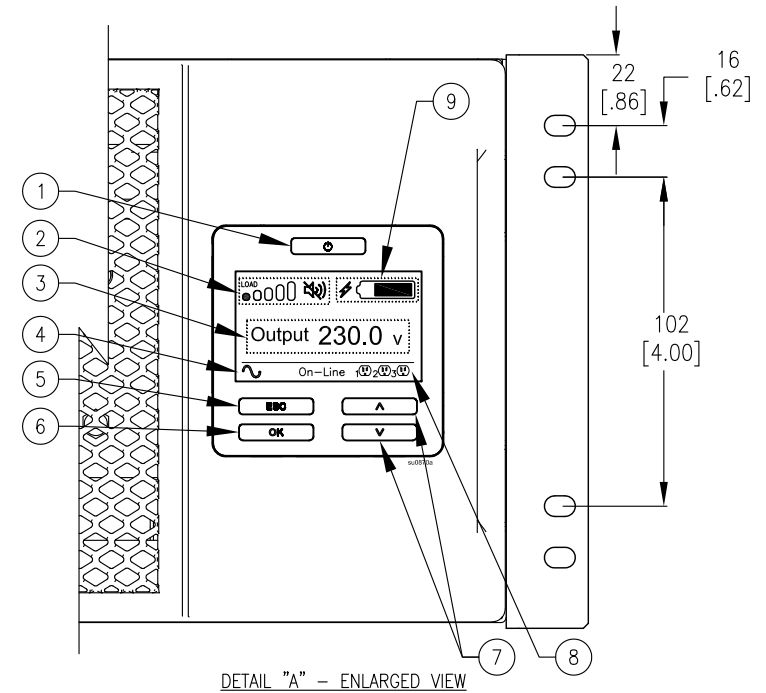
REV 0

THIRD ANGLE PROJ



TOP VIEW

- DISPLAY INTERFACE:**
1. POWER "ON/OFF" BUTTON.
 2. LOAD ICON, DISABLE/MUTE AUDIBLE ALARM ICON.
 3. UPS STATUS INFORMATION.
 4. OPERATION MODE ICONS.
 5. "ESCAPE" BUTTON.
 6. "OK" BUTTON.
 7. "UP/DOWN" BUTTONS.
 8. CONTROLLABLE OUTLET GROUP STATUS ICONS.
 9. BATTERY STATUS ICONS.



NOTES:

1. INSTALLATION SHALL COMPLY WITH ALL APPLICABLE NATIONAL, STATE AND LOCAL CODES.
2. PLEASE REFER TO PRODUCT DOCUMENTATION FOR FURTHER INFORMATION.
3. UNLESS OTHERWISE SPECIFIED, ALL DIMENSIONS ARE IN MILLIMETERS [INCHES].
4. WEIGHT OF UNIT IS 151.00 KG [332.20 LBS].
5. CABLE ENTRY FROM REAR SIDE OF UNIT.

THIS DRAWING AND SPECIFICATIONS HEREIN ARE THE PROPERTY OF SCHNEIDER ELECTRIC AND SHALL NOT BE COPIED, REPRODUCED OR USED IN WHOLE OR IN PART, AS THE BASIS FOR THE MANUFACTURE OR SALE OF ITEMS WITHOUT WRITTEN PERMISSION FROM SCHNEIDER ELECTRIC. THIS DRAWING IS BASED UPON LATEST AVAILABLE INFORMATION AND IS SUBJECT TO CHANGE WITHOUT NOTICE.



TITLE: SMART-UPS RT (SURT)
 SRT6KRMXLI + SRT192RMBP - RACK MOUNT
 INPUT: 220/230/240V, 3W (1Ø+N+G)
 OUTPUT: 220/230/240V, HARDWIRED, (6)IEC 320 C13,
 (2)IEC 320 C19, (2) IEC 320 C19
 BAYED MAIN MECHANICAL

PROJECT: DRAWING SHEET 8 of 11

DWG NO: SRT6KRMXLI+SRT192RMBP

DRAWN BY: S CUNHA 28-MAY-14

ENGINEER: C KUMARSWAMY 28-MAY-14

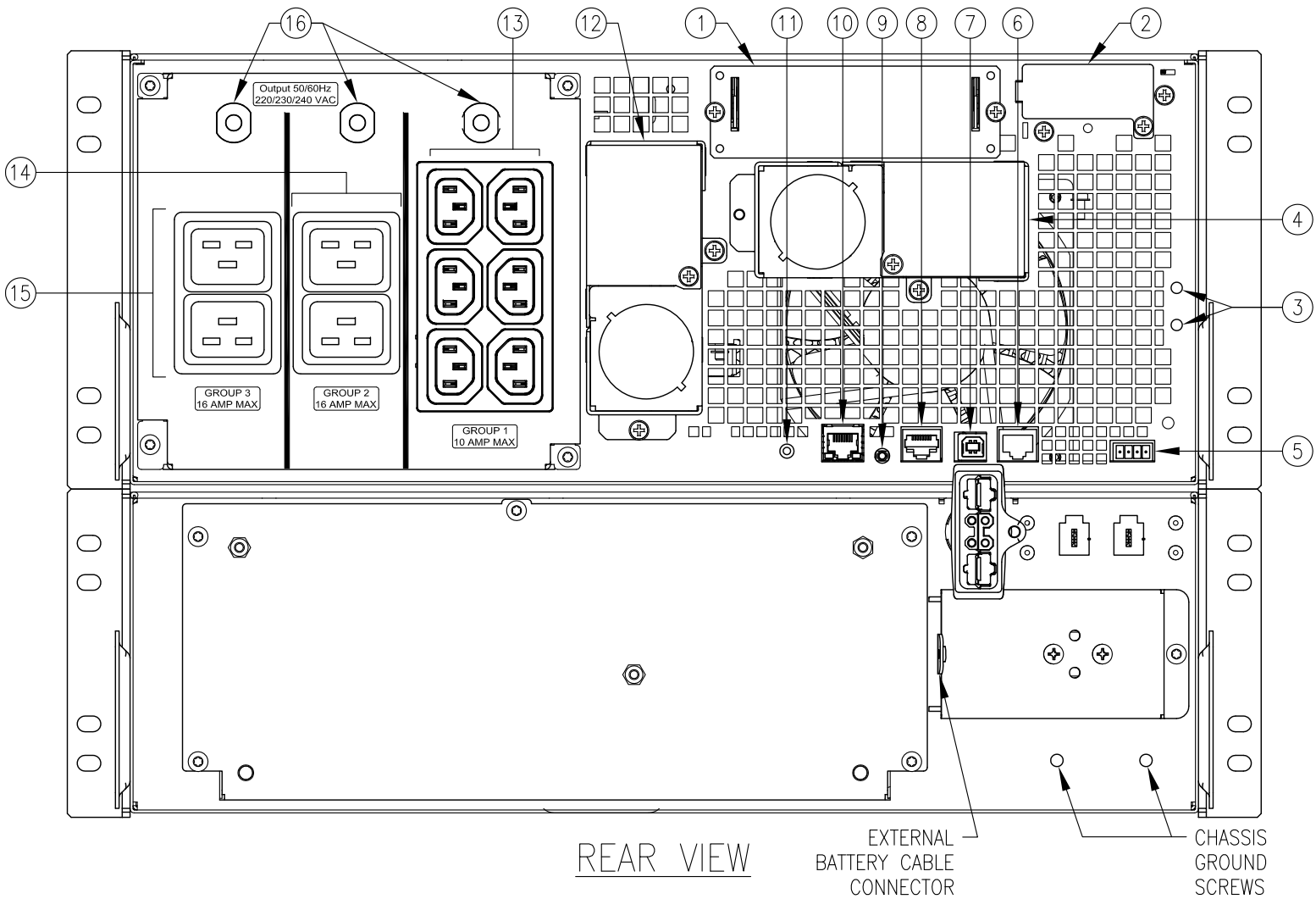
APPROVED BY: M BEG 28-MAY-14

REV 0

THIRD ANGLE PROJ

SRT6KRMXLI: (NUMBERING PER OPERATIONS MANUAL)

1. SMART SLOT
2. EXTERNAL BATTERY PACK CONNECTOR
3. CHASSIS GROUND SCREWS
4. 230V, HARD-WIRED UPS A/C OUTPUT CORD (PROVIDED BY OTHERS)
5. EPO TERMINAL
6. SERIAL COM
7. USB PORT
8. UNIVERSAL I/O PORT
9. CONSOLE PORT
10. NETWORK PORT
11. RESET BUTTON
12. UPS INPUT POWER CABLE
13. CONTROLLABLE OUTLET GROUP 1 [(6) IEC 320 C13]
14. CONTROLLABLE OUTLET GROUP 2 [(2) IEC 320 C19]
15. CONTROLLABLE OUTLET GROUP 3 [(2) IEC 320 C19]
16. UPS OUTLET GROUP CIRCUIT BREAKER RESET BUTTON OR SWITCH



- NOTES:**
1. INSTALLATION SHALL COMPLY WITH ALL APPLICABLE NATIONAL, STATE AND LOCAL CODES.
 2. PLEASE REFER TO PRODUCT DOCUMENTATION FOR FURTHER INFORMATION.

THIS DRAWING AND SPECIFICATIONS HEREIN ARE THE PROPERTY OF SCHNEIDER ELECTRIC AND SHALL NOT BE COPIED, REPRODUCED OR USED IN WHOLE OR IN PART, AS THE BASIS FOR THE MANUFACTURE OR SALE OF ITEMS WITHOUT WRITTEN PERMISSION FROM SCHNEIDER ELECTRIC. THIS DRAWING IS BASED UPON LATEST AVAILABLE INFORMATION AND IS SUBJECT TO CHANGE WITHOUT NOTICE.

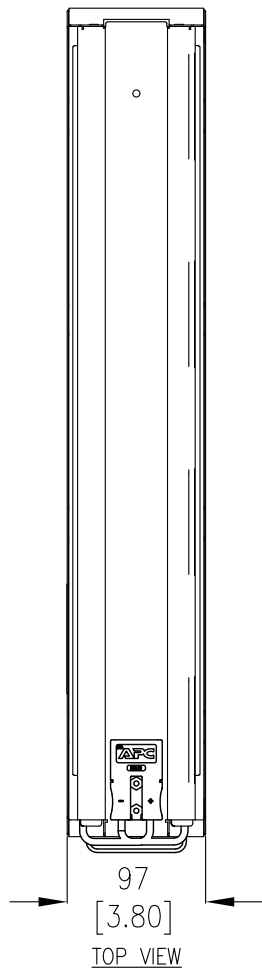


TITLE: SMART-UPS RT (SURT)
SRT6KRMXLI + SRT192RMBP - RACK MOUNT
INPUT: 220/230/240V, 3W (1Ø+N+G)
OUTPUT: 220/230/240V, HARDWIRED, (6)IEC 320 C13,
(2)IEC 320 C19, (2) IEC 320 C19
BAYED REAR VIEW

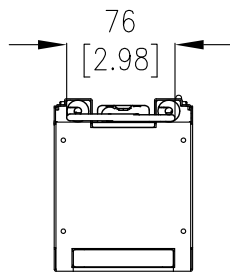
PROJECT: DRAWING **SHEET** 9 of 11

DWG NO: SRT6KRMXLI+SRT192RMBP **REV** 0

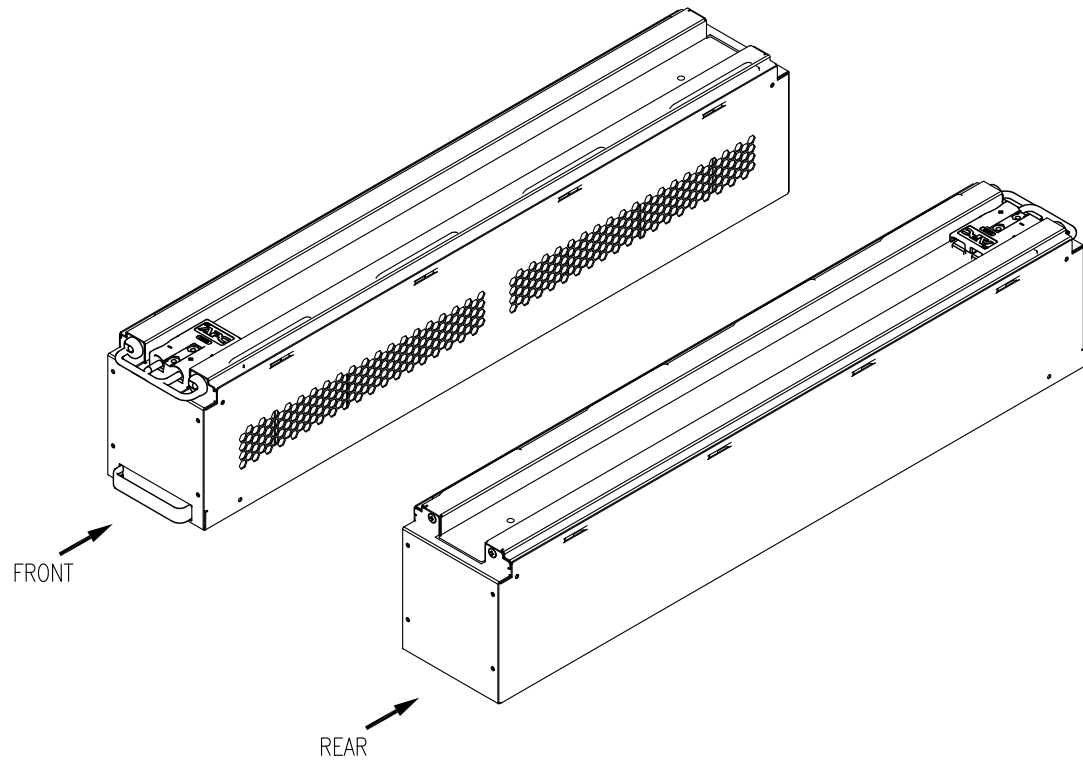
DRAWN BY: S CUNHA	28-MAY-14	THIRD ANGLE PROJ
ENGINEER: C KUMARSWAMY	28-MAY-14	
APPROVED BY: M BEG	28-MAY-14	



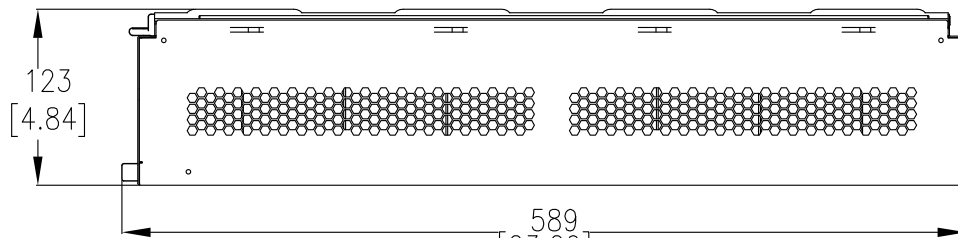
TOP VIEW



FRONT VIEW



ISOMETRIC VIEWS



SIDE VIEW

NOTES:

1. INSTALLATION SHALL COMPLY WITH ALL APPLICABLE NATIONAL, STATE AND LOCAL CODES.
2. PLEASE REFER TO PRODUCT DOCUMENTATION FOR FURTHER INFORMATION.
3. UNLESS OTHERWISE SPECIFIED, ALL DIMENSIONS ARE IN MILLIMETERS [INCHES].
4. THE APC BATTERY REPLACEMENT CARTRIDGE, APCRBC140, CONSISTS OF (2) BATTERY MODULES.

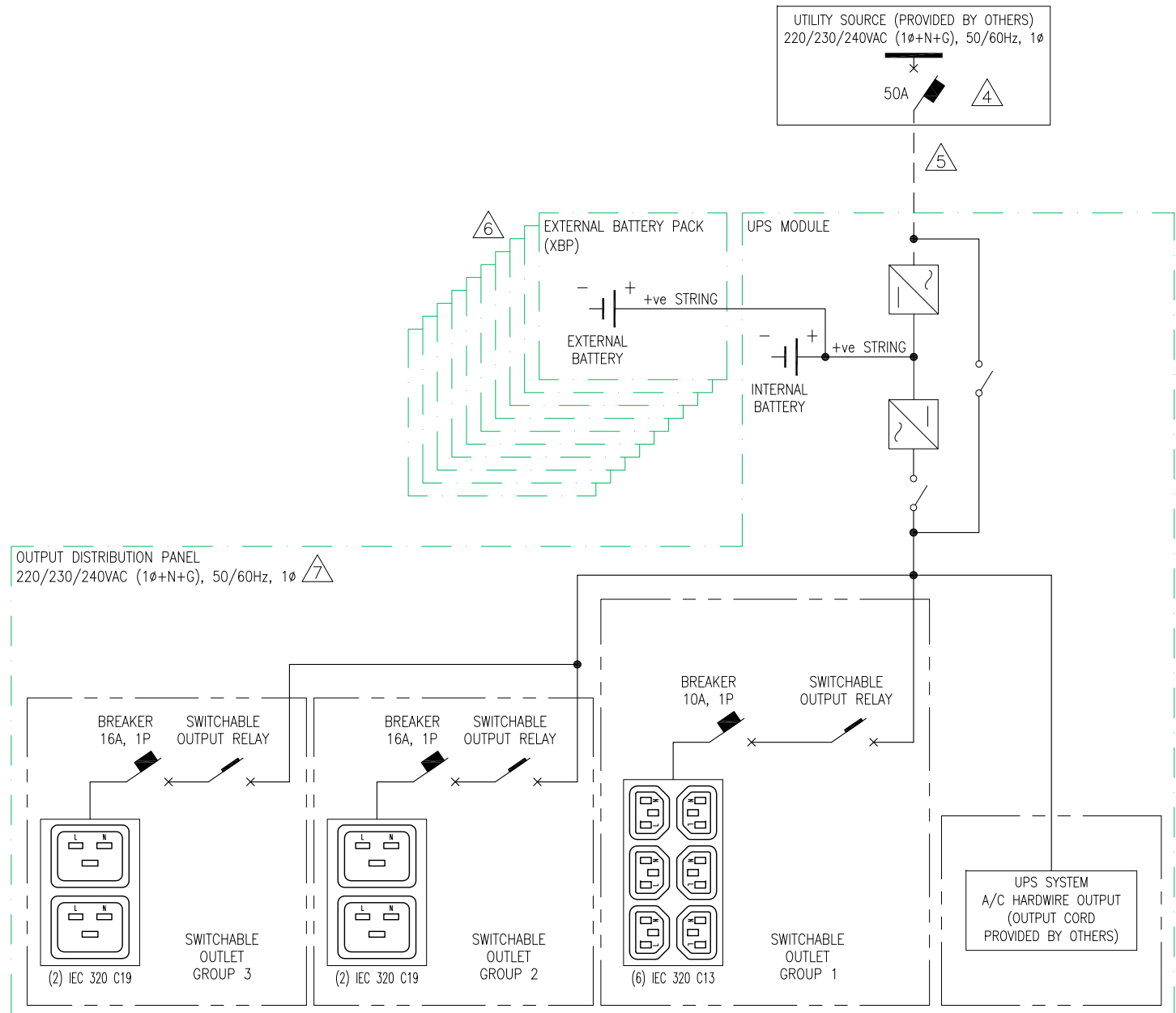
THIS DRAWING AND SPECIFICATIONS HEREIN ARE THE PROPERTY OF SCHNEIDER ELECTRIC AND SHALL NOT BE COPIED, REPRODUCED OR USED IN WHOLE OR IN PART, AS THE BASIS FOR THE MANUFACTURE OR SALE OF ITEMS WITHOUT WRITTEN PERMISSION FROM SCHNEIDER ELECTRIC. THIS DRAWING IS BASED UPON LATEST AVAILABLE INFORMATION AND IS SUBJECT TO CHANGE WITHOUT NOTICE.



TITLE: SMART-UPS RT (SURT)
 SRT6KRMXL1 + SRT192RMBP - RACK MOUNT
 INPUT: 220/230/240V, 3W (1Ø+N+G)
 OUTPUT: 220/230/240V, HARDWIRED, (6)IEC 320 C13,
 (2)IEC 320 C19, (2) IEC 320 C19
 APC REPLACEMENT BATTERY CARTRIDGE #140
 PROJECT: DRAWING SHEET 10 of 11

DWG NO: SRT6KRMXL1+SRT192RMBP
 DRAWN BY: S CUNHA 28-MAY-14
 ENGINEER: C KUMARSWAMY 28-MAY-14
 APPROVED BY: M BEG 28-MAY-14

REV 0
 THIRD ANGLE PROJ



NOTES:

1. INSTALLATION SHALL COMPLY WITH ALL APPLICABLE NATIONAL, STATE AND LOCAL CODES.
2. PLEASE REFER TO PRODUCT DOCUMENTATION FOR FURTHER INFORMATION.
3. DRAWING DEPICTS POWER SYSTEM CONNECTIONS AND IS NOT REPRESENTATIVE OF PHYSICAL LAYOUT. PLEASE REFER TO MECHANICAL DRAWINGS FOR MORE SPECIFIC PHYSICAL DATA.
- △4. UTILITY SOURCE MUST BE 1Ø, 220/230/240VAC (1Ø+N+G), 50/60Hz PROVIDED BY OTHERS.
- △5. DASHED LINES BETWEEN UNITS (-----) REPRESENT CABLING PROVIDED BY OTHERS.
- △6. ADDITIONAL EXTERNAL BATTERY PACKS (UP TO 10), CAN BE CONNECTED TO INCREASE THE RUN TIME FURTHER.
- △7. OUTPUT DISTRIBUTION PANEL CONTAINS SWITCHABLE OUTPUT GROUPS. REFER TO INSTALLATION MANUAL FOR DETAILED INSTRUCTIONS.

THIS DRAWING AND SPECIFICATIONS HEREIN ARE THE PROPERTY OF SCHNEIDER ELECTRIC AND SHALL NOT BE COPIED, REPRODUCED OR USED IN WHOLE OR IN PART, AS THE BASIS FOR THE MANUFACTURE OR SALE OF ITEMS WITHOUT WRITTEN PERMISSION FROM SCHNEIDER ELECTRIC. THIS DRAWING IS BASED UPON LATEST AVAILABLE INFORMATION AND IS SUBJECT TO CHANGE WITHOUT NOTICE.



TITLE: SMART-UPS RT (SURT)
 SRT6KRMXL1 + SRT192RMBP - RACK MOUNT
 INPUT: 220/230/240V, 3W (1Ø+N+G)
 OUTPUT: 220/230/240V, HARDWIRED, (6)IEC 320 C13,
 (2)IEC 320 C19, (2) IEC 320 C19
 SINGLE-LINE DIAGRAM

PROJECT: DRAWING SHEET 11 of 11

DWG NO:	SRT6KRMXL1+SRT192RMBP	REV	0
DRAWN BY:	S CUNHA		
ENGINEER:	C JAYARAMAN		
APPROVED BY:	M BEG		
	28-MAY-14		
	28-MAY-14		
	28-MAY-14		
		PROJ	ANGLE
			N/A