

NOTES:

1. INSTALLATION SHALL COMPLY WITH ALL APPLICABLE NATIONAL AND LOCAL CODES.
2. SEE PRODUCT DOCUMENTATION FOR FURTHER INFORMATION.

THIS DRAWING AND SPECIFICATIONS HEREIN ARE THE PROPERTY OF SCHNEIDER ELECTRIC AND SHALL NOT BE COPIED, REPRODUCED OR USED IN WHOLE OR IN PART, AS THE BASIS FOR THE MANUFACTURE OR SALE OF ITEMS WITHOUT WRITTEN PERMISSION FROM SCHNEIDER ELECTRIC. THIS DRAWING IS BASED UPON LATEST AVAILABLE INFORMATION AND IS SUBJECT TO CHANGE WITHOUT NOTICE.

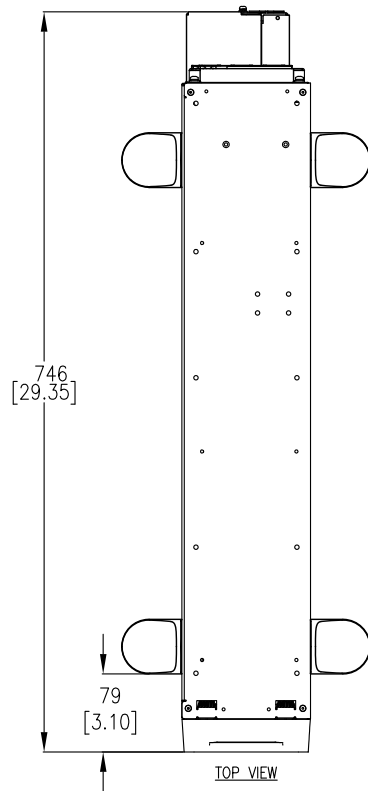


TITLE: SMART-UPS RT (SURT)
 SRT5KXLI + SRT192BP - TOWER
 INPUT: 220/230/240V, 3W (1Ø+N+G)
 OUTPUT: 220/230/240V, (6)IEC 320 C13, (4)IEC 320 C19
 UPS ISOMETRIC VIEWS

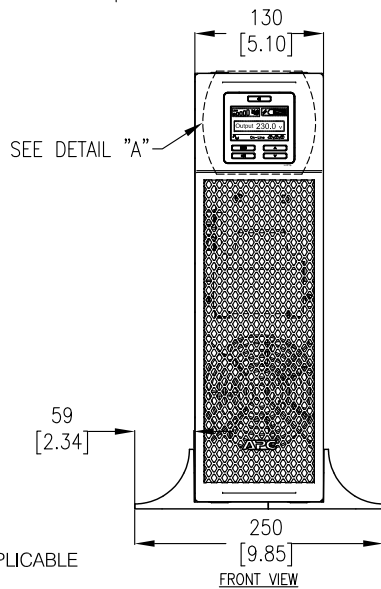
PROJECT: DRAWING

DWG NO: SRT5KXLI+SRT192BP	REV 0
DRAWN BY: S CUNHA	28-MAY-14
ENGINEER: C KUMARSWAMY	28-MAY-14
APPROVED BY: M BEG	28-MAY-14

THIRD ANGLE PROJ

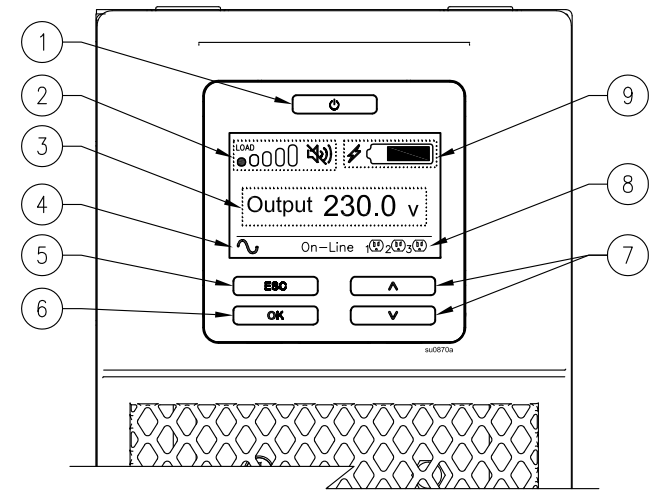


TOP VIEW

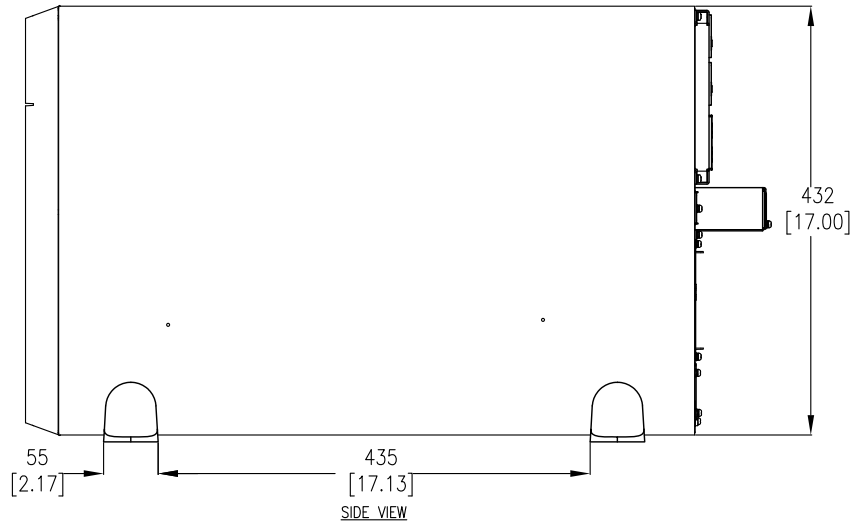


FRONT VIEW

- DISPLAY INTERFACE:**
1. POWER "ON/OFF" BUTTON.
 2. LOAD ICON, DISABLE/MUTE AUDIBLE ALARM ICON.
 3. UPS STATUS INFORMATION.
 4. OPERATION MODE ICONS.
 5. "ESCAPE" BUTTON.
 6. "OK" BUTTON.
 7. "UP/DOWN" BUTTONS.
 8. CONTROLLABLE OUTLET GROUP STATUS ICONS.
 9. BATTERY STATUS ICONS.



DETAIL "A" - ENLARGED VIEW



SIDE VIEW

NOTES:

1. INSTALLATION SHALL COMPLY WITH ALL APPLICABLE NATIONAL, STATE AND LOCAL CODES.
2. PLEASE REFER TO PRODUCT DOCUMENTATION FOR FURTHER INFORMATION.
3. UNLESS OTHERWISE SPECIFIED, ALL DIMENSIONS ARE IN MILLIMETERS [INCHES].
4. WEIGHT OF UNIT IS 54.55 KG [120.00 LBS].
5. CABLE ENTRY FROM REAR SIDE OF UNIT.

THIS DRAWING AND SPECIFICATIONS HEREIN ARE THE PROPERTY OF SCHNEIDER ELECTRIC AND SHALL NOT BE COPIED, REPRODUCED OR USED IN WHOLE OR IN PART, AS THE BASIS FOR THE MANUFACTURE OR SALE OF ITEMS WITHOUT WRITTEN PERMISSION FROM SCHNEIDER ELECTRIC. THIS DRAWING IS BASED UPON LATEST AVAILABLE INFORMATION AND IS SUBJECT TO CHANGE WITHOUT NOTICE.



TITLE: SMART-UPS RT (SURT)
SRT5KXLI + SRT192BP - TOWER
INPUT: 220/230/240V, 3W (1Ø+N+G)
OUTPUT: 220/230/240V, (6)IEC 320 C13, (4)IEC 320 C19
UPS MAIN MECHANICAL

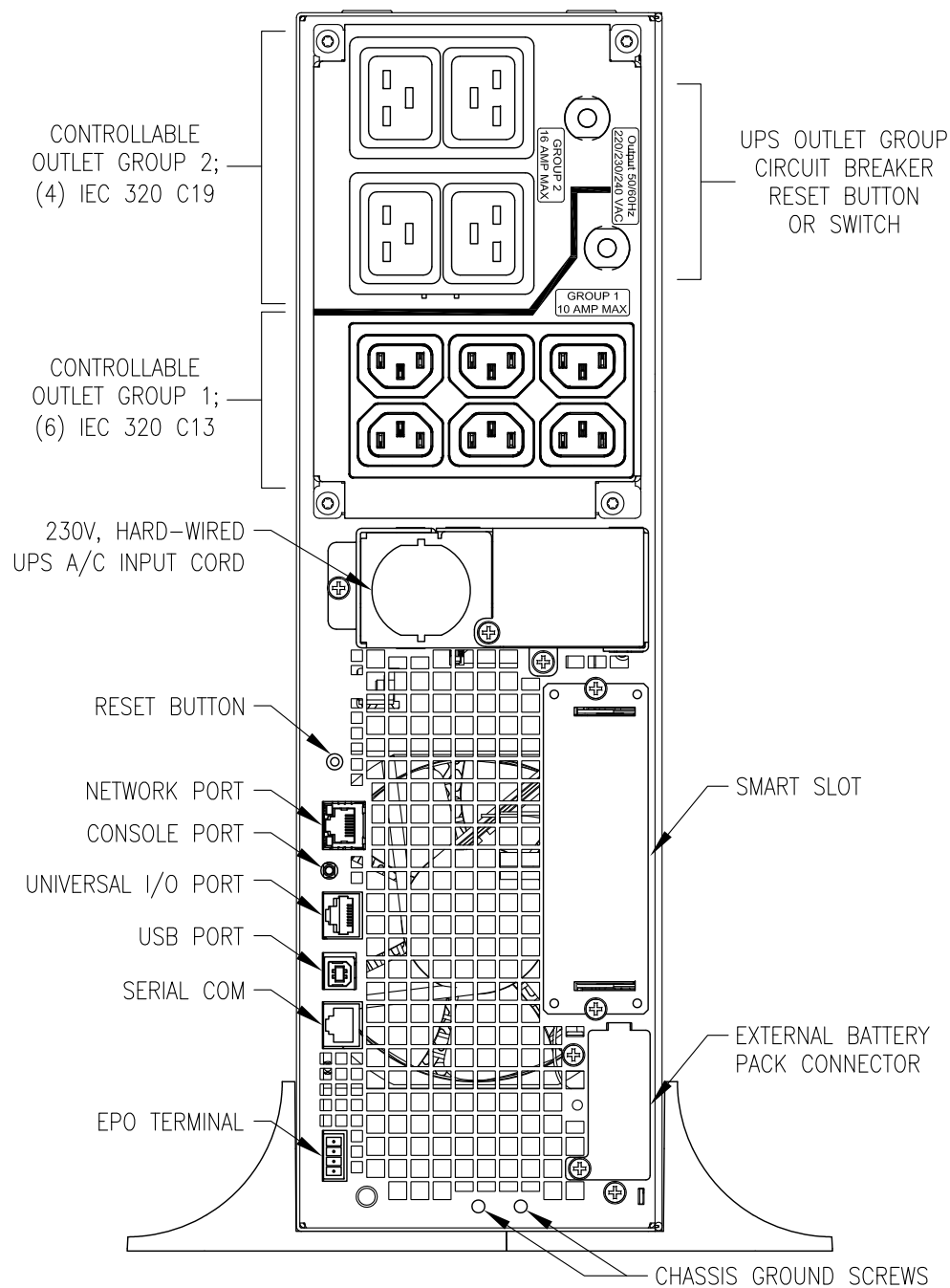
PROJECT: DRAWING SHEET 2 of 11

DWG NO: SRT5KXLI+SRT192BP REV 0

DRAWN BY: S CUNHA 28-MAY-14 THIRD ANGLE PROJ

ENGINEER: C KUMARSWAMY 28-MAY-14

APPROVED BY: M BEG 28-MAY-14



REAR VIEW

- NOTES:**
1. INSTALLATION SHALL COMPLY WITH ALL APPLICABLE NATIONAL, STATE AND LOCAL CODES.
 2. PLEASE REFER TO PRODUCT DOCUMENTATION FOR FURTHER INFORMATION.

THIS DRAWING AND SPECIFICATIONS HEREIN ARE THE PROPERTY OF SCHNEIDER ELECTRIC AND SHALL NOT BE COPIED, REPRODUCED OR USED IN WHOLE OR IN PART, AS THE BASIS FOR THE MANUFACTURE OR SALE OF ITEMS WITHOUT WRITTEN PERMISSION FROM SCHNEIDER ELECTRIC. THIS DRAWING IS BASED UPON LATEST AVAILABLE INFORMATION AND IS SUBJECT TO CHANGE WITHOUT NOTICE.



TITLE: SMART-UPS RT (SURT)
 SRT5KXLI + SRT192BP - TOWER
 INPUT: 220/230/240V, 3W (1Ø+N+G)
 OUTPUT: 220/230/240V, (6)IEC 320 C13, (4)IEC 320 C19
 UPS REAR VIEW

PROJECT: DRAWING

DWG NO: SRT5KXLI+SRT192BP

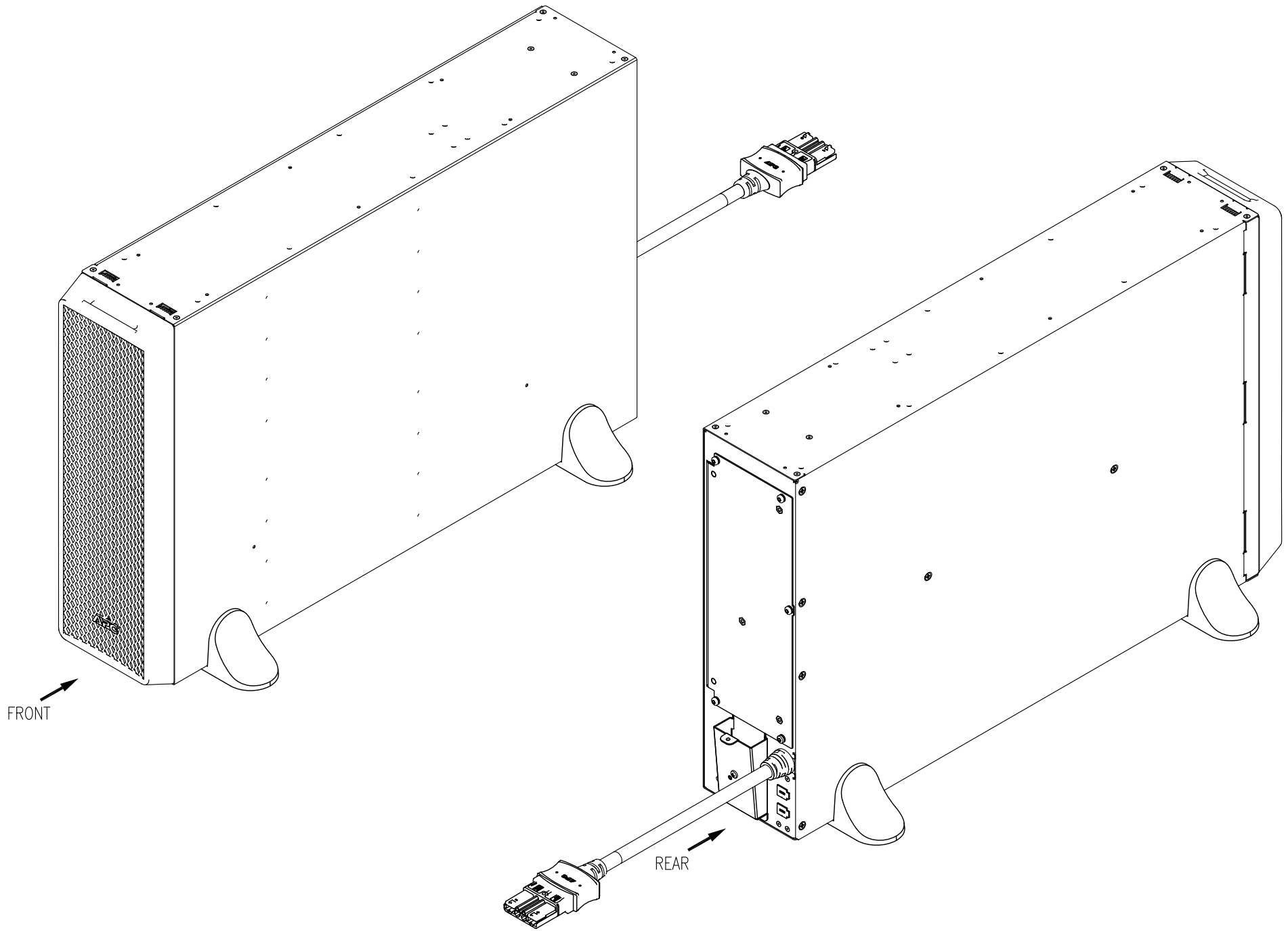
DRAWN BY: S CUNHA 28-MAY-14

ENGINEER: C KUMARSWAMY 28-MAY-14

APPROVED BY: M BEG 28-MAY-14

REV 0

THIRD ANGLE PROJ



NOTES:

1. INSTALLATION SHALL COMPLY WITH ALL APPLICABLE NATIONAL AND LOCAL CODES.
2. SEE PRODUCT DOCUMENTATION FOR FURTHER INFORMATION.

THIS DRAWING AND SPECIFICATIONS HEREIN ARE THE PROPERTY OF SCHNEIDER ELECTRIC AND SHALL NOT BE COPIED, REPRODUCED OR USED IN WHOLE OR IN PART, AS THE BASIS FOR THE MANUFACTURE OR SALE OF ITEMS WITHOUT WRITTEN PERMISSION FROM SCHNEIDER ELECTRIC. THIS DRAWING IS BASED UPON LATEST AVAILABLE INFORMATION AND IS SUBJECT TO CHANGE WITHOUT NOTICE.



TITLE: SMART-UPS RT (SURT)
 SRT5KXLI + SRT192BP - TOWER
 INPUT: 220/230/240V, 3W (1Ø+N+G)
 OUTPUT: 220/230/240V, (6)IEC 320 C13, (4)IEC 320 C19
 XBP ISOMETRIC VIEWS

PROJECT: DRAWING SHEET 4 of 11

DWG NO: SRT5KXLI+SRT192BP

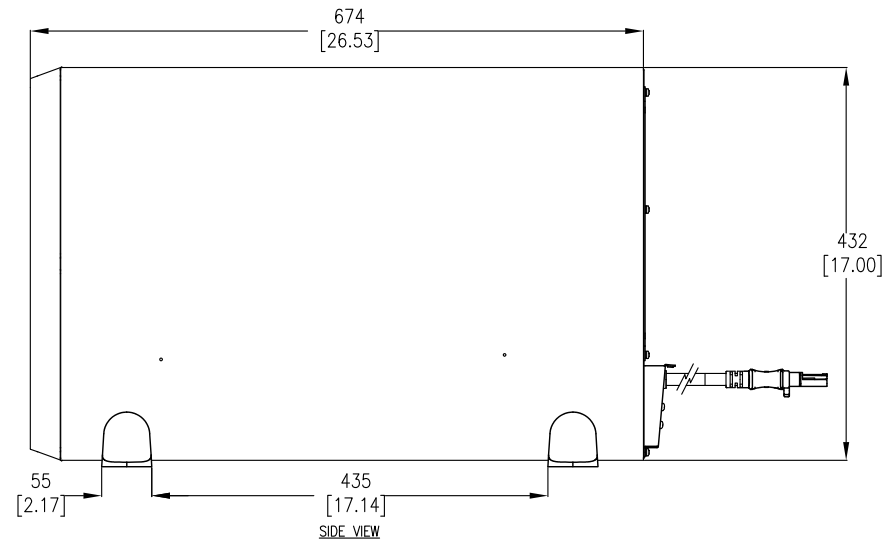
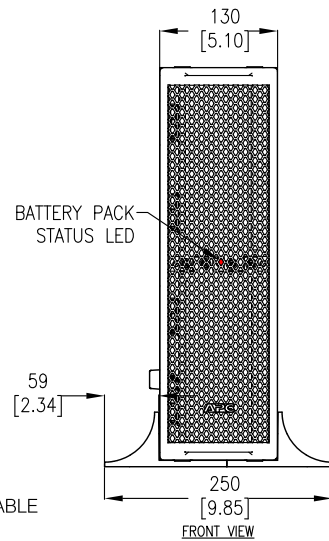
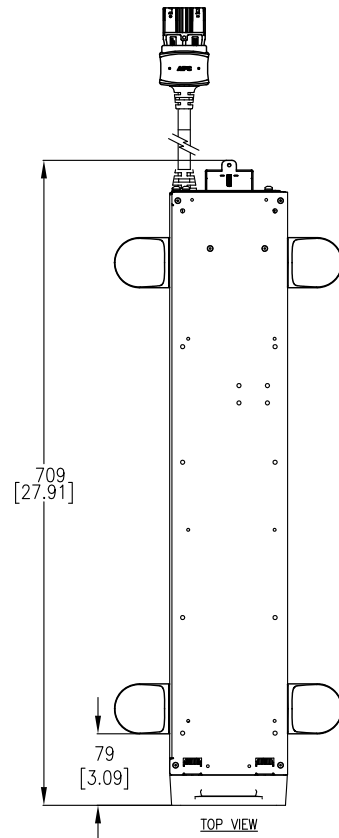
DRAWN BY: S CUNHA 28-MAY-14

ENGINEER: C KUMARSWAMY 28-MAY-14

APPROVED BY: M BEG 28-MAY-14

REV 0

THIRD ANGLE PROJ



NOTES:

1. INSTALLATION SHALL COMPLY WITH ALL APPLICABLE NATIONAL, STATE AND LOCAL CODES.
2. PLEASE REFER TO PRODUCT DOCUMENTATION FOR FURTHER INFORMATION.
3. UNLESS OTHERWISE SPECIFIED, ALL DIMENSIONS ARE IN MILLIMETERS [INCHES].
4. WEIGHT OF UNIT IS 91.00 KG [200.20 LBS].
5. CABLE ENTRY FROM REAR SIDE OF UNIT.

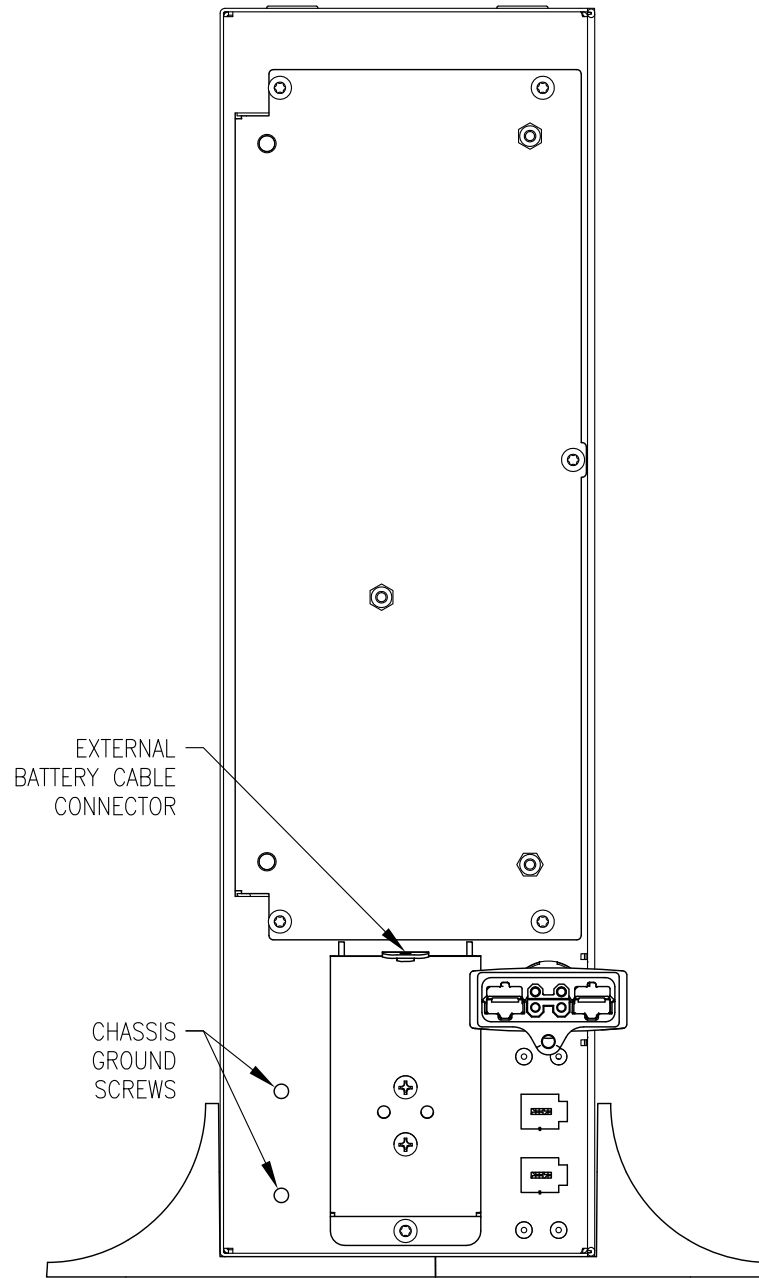
THIS DRAWING AND SPECIFICATIONS HEREIN ARE THE PROPERTY OF SCHNEIDER ELECTRIC AND SHALL NOT BE COPIED, REPRODUCED OR USED IN WHOLE OR IN PART, AS THE BASIS FOR THE MANUFACTURE OR SALE OF ITEMS WITHOUT WRITTEN PERMISSION FROM SCHNEIDER ELECTRIC. THIS DRAWING IS BASED UPON LATEST AVAILABLE INFORMATION AND IS SUBJECT TO CHANGE WITHOUT NOTICE.



TITLE: SMART-UPS RT (SURT)
SRT5KXLI + SRT192BP - TOWER
INPUT: 220/230/240V, 3W (1Ø+N+G)
OUTPUT: 220/230/240V, (6)IEC 320 C13, (4)IEC 320 C19
XBP MAIN MECHANICAL

PROJECT: DRAWING SHEET 5 of 11

DWG NO:	SRT5KXLI+SRT192BP		REV	0
DRAWN BY:	S CUNHA	28-MAY-14	THIRD	ANGLE
ENGINEER:	C KUMARSWAMY	28-MAY-14	PROJ	
APPROVED BY:	M BEG	28-MAY-14		



REAR VIEW

NOTES:

1. INSTALLATION SHALL COMPLY WITH ALL APPLICABLE NATIONAL, STATE AND LOCAL CODES.
2. PLEASE REFER TO PRODUCT DOCUMENTATION FOR FURTHER INFORMATION.

THIS DRAWING AND SPECIFICATIONS HEREIN ARE THE PROPERTY OF SCHNEIDER ELECTRIC AND SHALL NOT BE COPIED, REPRODUCED OR USED IN WHOLE OR IN PART, AS THE BASIS FOR THE MANUFACTURE OR SALE OF ITEMS WITHOUT WRITTEN PERMISSION FROM SCHNEIDER ELECTRIC. THIS DRAWING IS BASED UPON LATEST AVAILABLE INFORMATION AND IS SUBJECT TO CHANGE WITHOUT NOTICE.

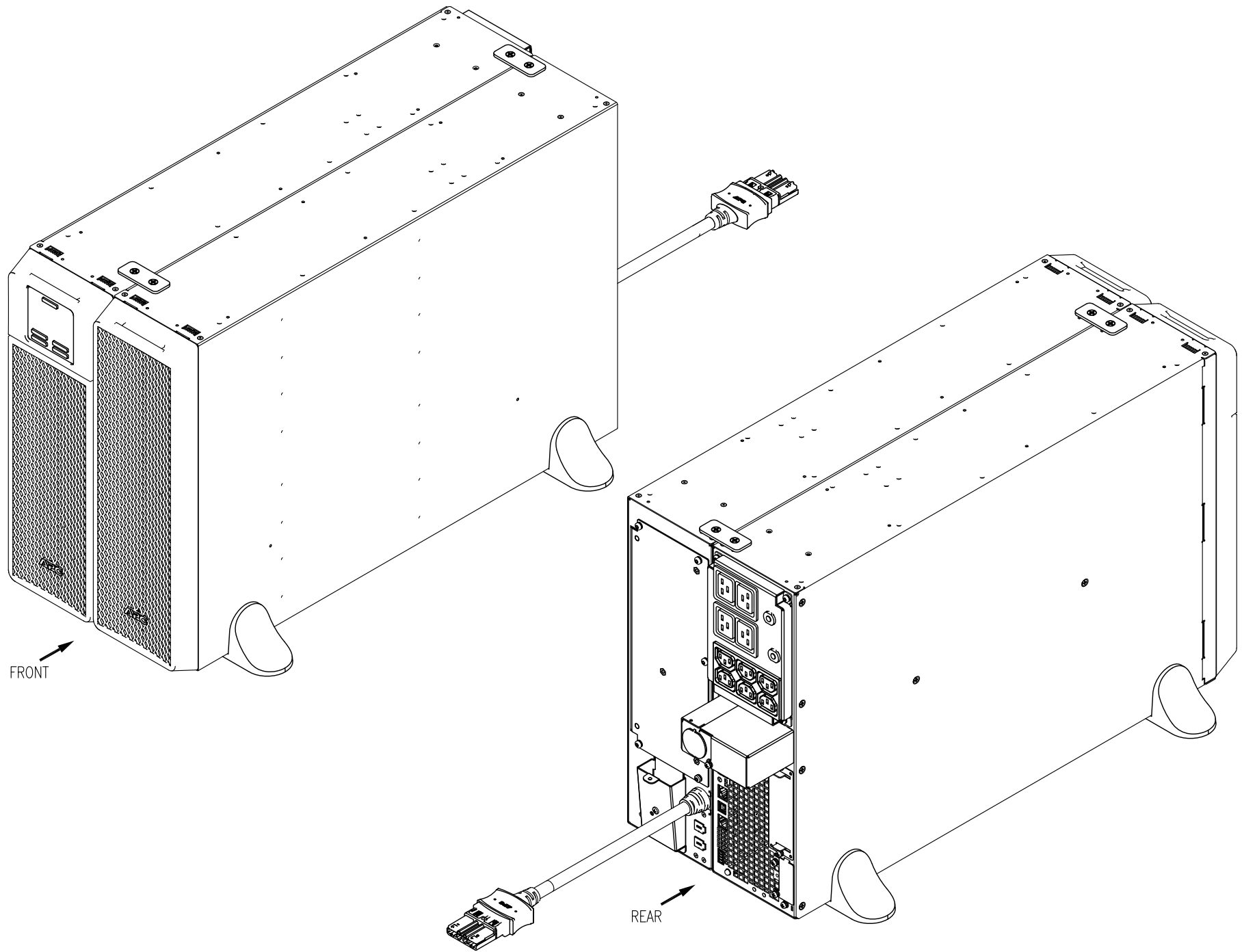


TITLE: SMART-UPS RT (SURT)
SRT5KXLI + SRT192BP - TOWER
INPUT: 220/230/240V, 3W (1Ø+N+G)
OUTPUT: 220/230/240V, (6)IEC 320 C13, (4)IEC 320 C19
XBP REAR VIEW

PROJECT: DRAWING

DWG NO: SRT5KXLI+SRT192BP	REV 0
DRAWN BY: S CUNHA	28-MAY-14
ENGINEER: C KUMARSWAMY	28-MAY-14
APPROVED BY: M BEG	28-MAY-14

THIRD ANGLE PROJ



FRONT

REAR

NOTES:

1. INSTALLATION SHALL COMPLY WITH ALL APPLICABLE NATIONAL AND LOCAL CODES.
2. SEE PRODUCT DOCUMENTATION FOR FURTHER INFORMATION.

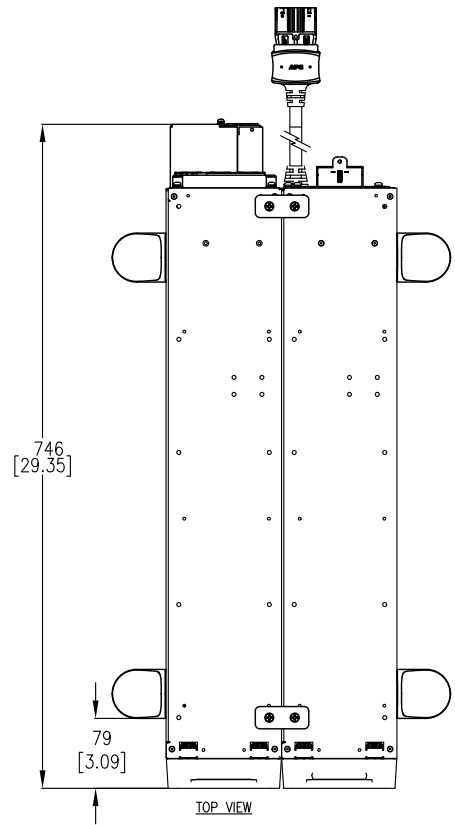
THIS DRAWING AND SPECIFICATIONS HEREIN ARE THE PROPERTY OF SCHNEIDER ELECTRIC AND SHALL NOT BE COPIED, REPRODUCED OR USED IN WHOLE OR IN PART, AS THE BASIS FOR THE MANUFACTURE OR SALE OF ITEMS WITHOUT WRITTEN PERMISSION FROM SCHNEIDER ELECTRIC. THIS DRAWING IS BASED UPON LATEST AVAILABLE INFORMATION AND IS SUBJECT TO CHANGE WITHOUT NOTICE.



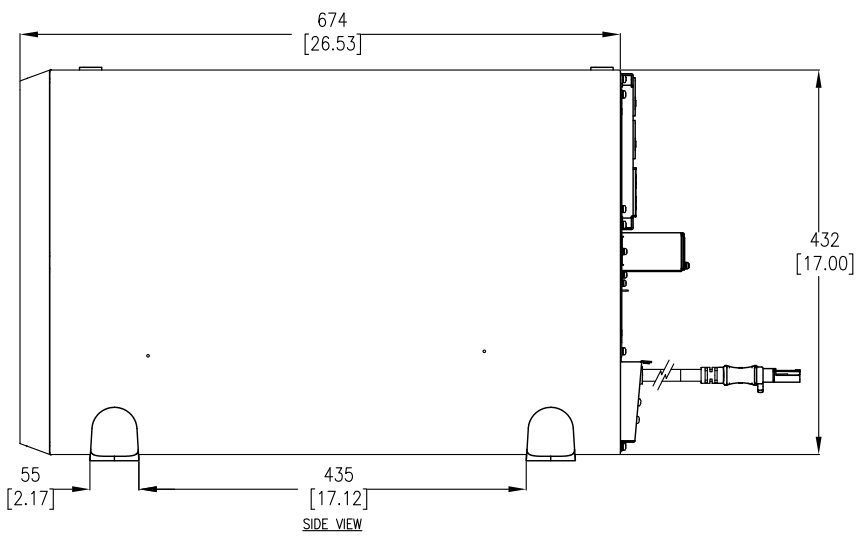
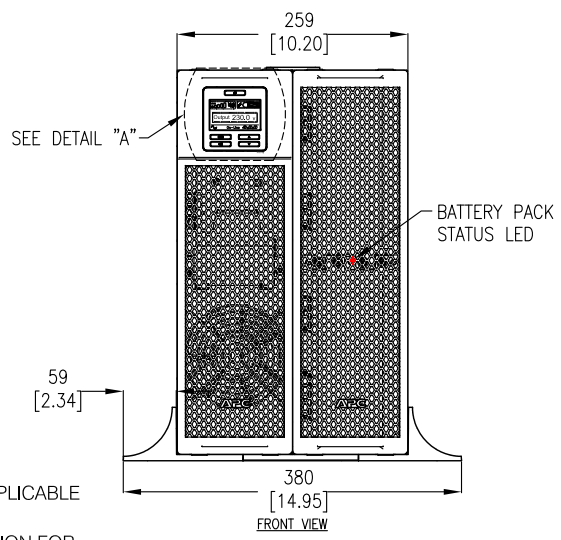
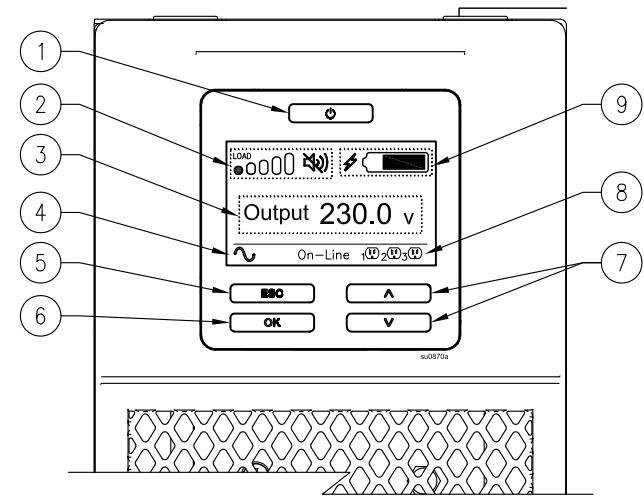
TITLE: SMART-UPS RT (SURT)
 SRT5KXLI + SRT192BP - TOWER
 INPUT: 220/230/240V, 3W (1Ø+N+G)
 OUTPUT: 220/230/240V, (6)IEC 320 C13, (4)IEC 320 C19
 BAYED ISOMETRIC VIEWS

PROJECT: DRAWING SHEET 7 of 11

DWG NO:	SRT5KXLI+SRT192BP	REV	0
DRAWN BY:	S CUNHA	28-MAY-14	THIRD ANGLE PROJ
ENGINEER:	C KUMARSWAMY	28-MAY-14	
APPROVED BY:	M BEG	28-MAY-14	



- DISPLAY INTERFACE:**
1. POWER "ON/OFF" BUTTON.
 2. LOAD ICON, DISABLE/MUTE AUDIBLE ALARM ICON.
 3. UPS STATUS INFORMATION.
 4. OPERATION MODE ICONS.
 5. "ESCAPE" BUTTON.
 6. "OK" BUTTON.
 7. "UP/DOWN" BUTTONS.
 8. CONTROLLABLE OUTLET GROUP STATUS ICONS.
 9. BATTERY STATUS ICONS.



- NOTES:**
1. INSTALLATION SHALL COMPLY WITH ALL APPLICABLE NATIONAL, STATE AND LOCAL CODES.
 2. PLEASE REFER TO PRODUCT DOCUMENTATION FOR FURTHER INFORMATION.
 3. UNLESS OTHERWISE SPECIFIED, ALL DIMENSIONS ARE IN MILLIMETERS [INCHES].
 4. WEIGHT OF UNIT IS 145.55 KG [320.20 LBS].
 5. CABLE ENTRY FROM REAR SIDE OF UNIT.

THIS DRAWING AND SPECIFICATIONS HEREIN ARE THE PROPERTY OF SCHNEIDER ELECTRIC AND SHALL NOT BE COPIED, REPRODUCED OR USED IN WHOLE OR IN PART, AS THE BASIS FOR THE MANUFACTURE OR SALE OF ITEMS WITHOUT WRITTEN PERMISSION FROM SCHNEIDER ELECTRIC. THIS DRAWING IS BASED UPON LATEST AVAILABLE INFORMATION AND IS SUBJECT TO CHANGE WITHOUT NOTICE.



TITLE: SMART-UPS RT (SURT)
SRT5KXLI + SRT192BP - TOWER
INPUT: 220/230/240V, 3W (1Ø+N+G)
OUTPUT: 220/230/240V, (6)IEC 320 C13, (4)IEC 320 C19
BAYED MAIN MECHANICAL

PROJECT: DRAWING

DWG NO: SRT5KXLI+SRT192BP

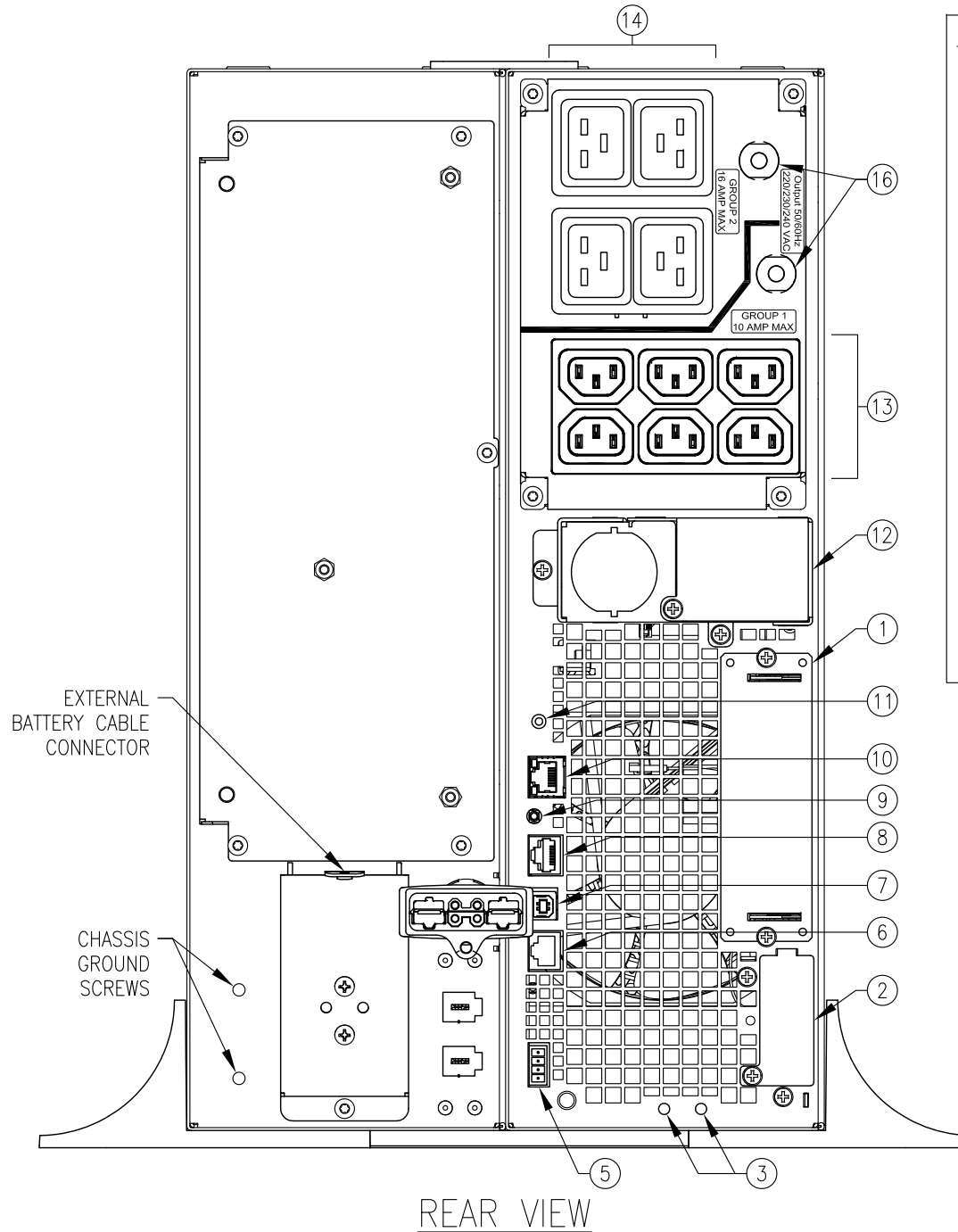
DRAWN BY: S CUNHA 28-MAY-14

ENGINEER: C KUMARSWAMY 28-MAY-14

APPROVED BY: M BEG 28-MAY-14

REV 0

THIRD ANGLE PROJ



- SRT5KXLI: (NUMBERING PER OPERATIONS MANUAL)**
1. SMART SLOT
 2. EXTERNAL BATTERY PACK CONNECTOR
 3. CHASSIS GROUND SCREWS
 5. EPO TERMINAL
 6. SERIAL COM
 7. USB PORT
 8. UNIVERSAL I/O PORT
 9. CONSOLE PORT
 10. NETWORK PORT
 11. RESET BUTTON
 12. UPS INPUT POWER CABLE
 13. CONTROLLABLE OUTLET GROUP 1
[(6) IEC 320 C13]
 14. CONTROLLABLE OUTLET GROUP 2
[(4) IEC 320 C19]
 16. UPS OUTLET GROUP CIRCUIT BREAKER
RESET BUTTON OR SWITCH

REAR VIEW

NOTES:

1. INSTALLATION SHALL COMPLY WITH ALL APPLICABLE NATIONAL, STATE AND LOCAL CODES.
2. PLEASE REFER TO PRODUCT DOCUMENTATION FOR FURTHER INFORMATION.

THIS DRAWING AND SPECIFICATIONS HEREIN ARE THE PROPERTY OF SCHNEIDER ELECTRIC AND SHALL NOT BE COPIED, REPRODUCED OR USED IN WHOLE OR IN PART, AS THE BASIS FOR THE MANUFACTURE OR SALE OF ITEMS WITHOUT WRITTEN PERMISSION FROM SCHNEIDER ELECTRIC. THIS DRAWING IS BASED UPON LATEST AVAILABLE INFORMATION AND IS SUBJECT TO CHANGE WITHOUT NOTICE.



TITLE: SMART-UPS RT (SURT)
SRT5KXLI + SRT192BP - TOWER
INPUT: 220/230/240V, 3W (1Ø+N+G)
OUTPUT: 220/230/240V, (6)IEC 320 C13, (4)IEC 320 C19
BAYED REAR VIEW

PROJECT: DRAWING

DWG NO: SRT5KXLI+SRT192BP

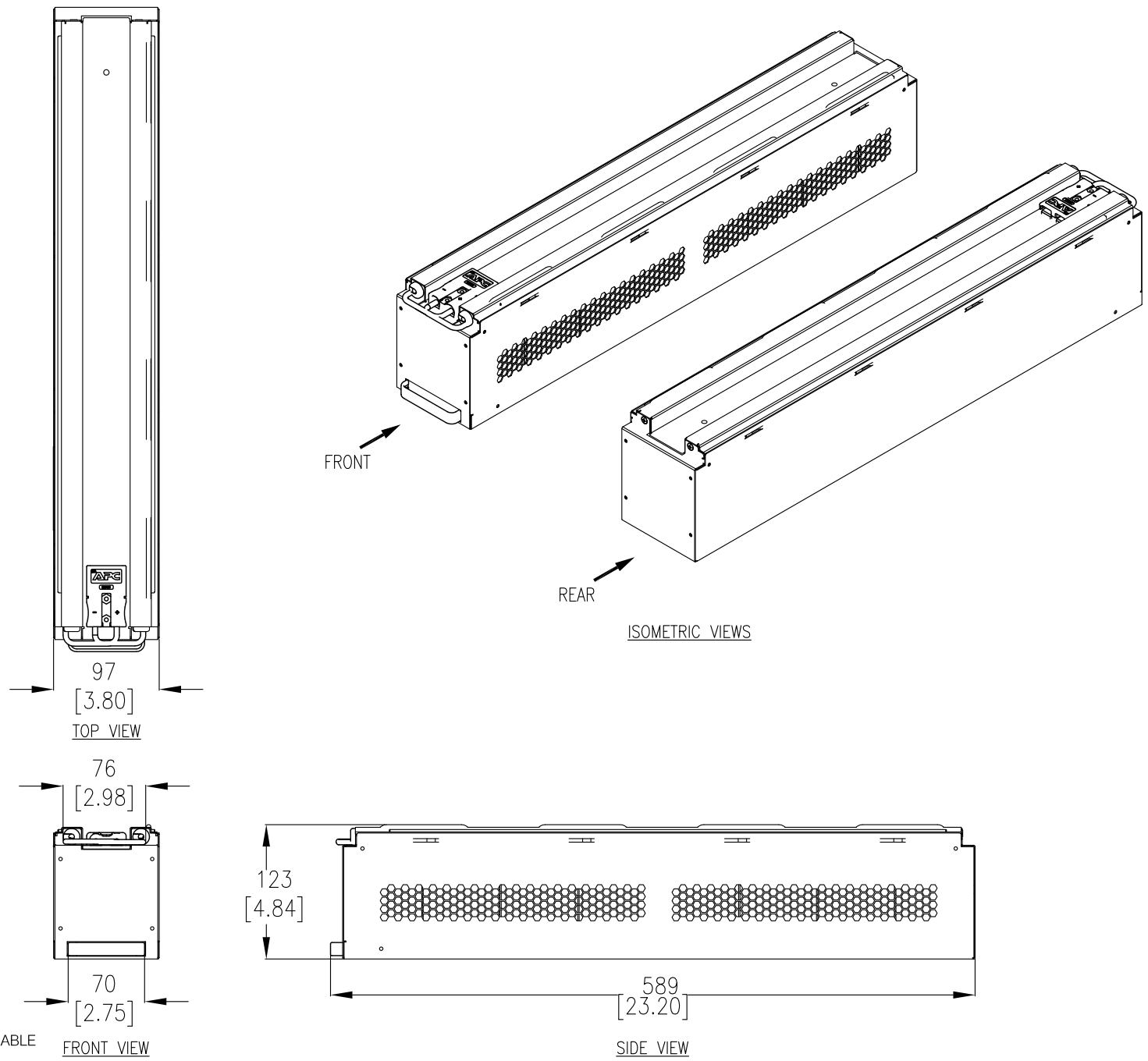
DRAWN BY: S CUNHA 28-MAY-14

ENGINEER: C KUMARSWAMY 28-MAY-14

APPROVED BY: M BEG 28-MAY-14

REV 0

THIRD ANGLE PROJ



NOTES:

1. INSTALLATION SHALL COMPLY WITH ALL APPLICABLE NATIONAL, STATE AND LOCAL CODES.
2. PLEASE REFER TO PRODUCT DOCUMENTATION FOR FURTHER INFORMATION.
3. UNLESS OTHERWISE SPECIFIED, ALL DIMENSIONS ARE IN MILLIMETERS [INCHES].
4. THE APC BATTERY REPLACEMENT CARTRIDGE, APCRBC140, CONSISTS OF (2) BATTERY MODULES.

THIS DRAWING AND SPECIFICATIONS HEREIN ARE THE PROPERTY OF SCHNEIDER ELECTRIC AND SHALL NOT BE COPIED, REPRODUCED OR USED IN WHOLE OR IN PART, AS THE BASIS FOR THE MANUFACTURE OR SALE OF ITEMS WITHOUT WRITTEN PERMISSION FROM SCHNEIDER ELECTRIC. THIS DRAWING IS BASED UPON LATEST AVAILABLE INFORMATION AND IS SUBJECT TO CHANGE WITHOUT NOTICE.



TITLE: SMART-UPS RT (SURT)
 SRT5KXLI + SRT192BP - TOWER
 INPUT: 220/230/240V, 3W (1Ø+N+G)
 OUTPUT: 220/230/240V, (6)IEC 320 C13, (4)IEC 320 C19
 APC REPLACEMENT BATTERY CARTRIDGE #140

PROJECT: DRAWING

DWG NO: SRT5KXLI+SRT192BP

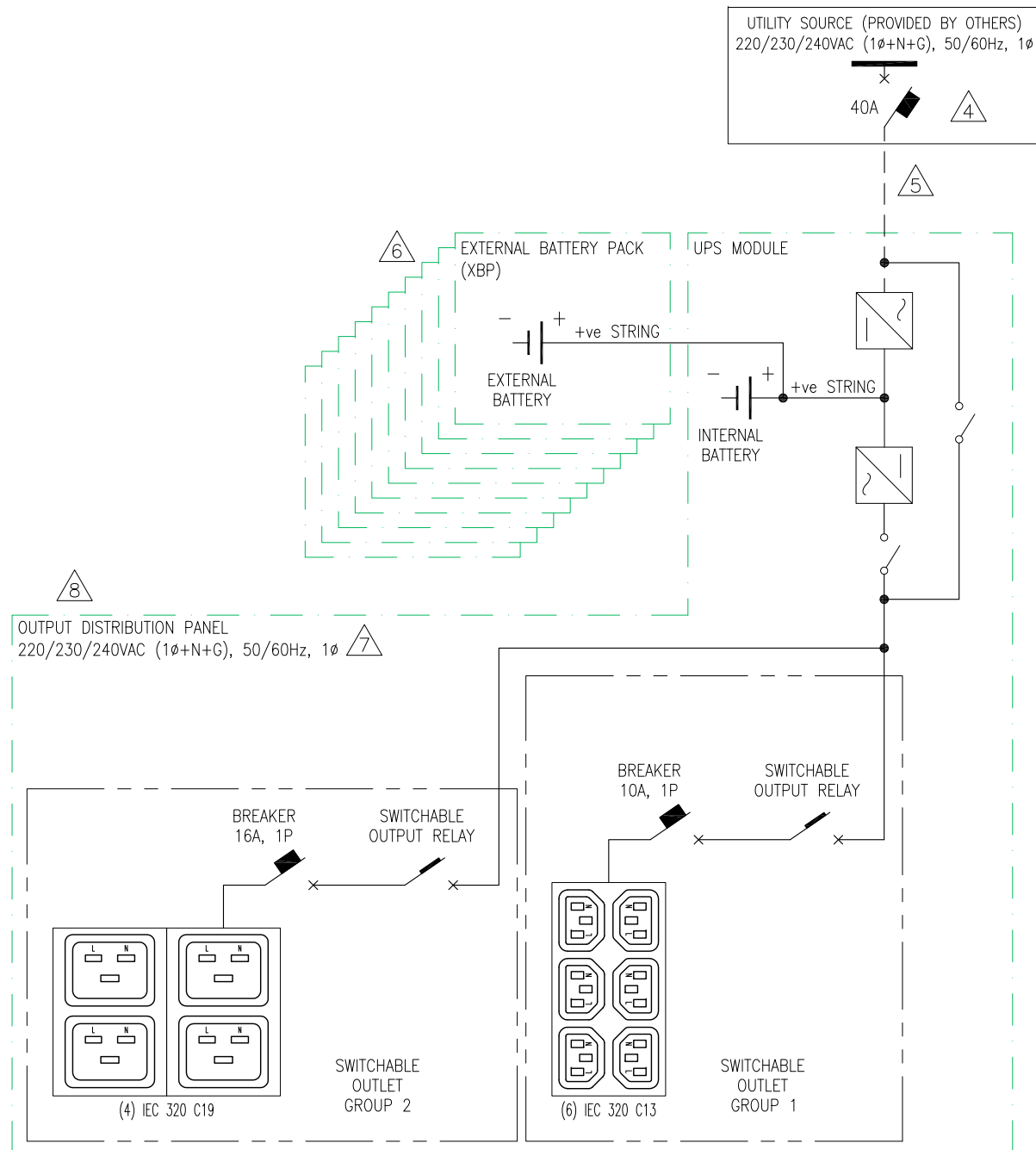
DRAWN BY: S CUNHA 28-MAY-14

ENGINEER: C KUMARSWAMY 28-MAY-14

APPROVED BY: M BEG 28-MAY-14

REV 0

THIRD ANGLE PROJ



NOTES:

1. INSTALLATION SHALL COMPLY WITH ALL APPLICABLE NATIONAL, STATE AND LOCAL CODES.
2. PLEASE REFER TO PRODUCT DOCUMENTATION FOR FURTHER INFORMATION.
3. DRAWING DEPICTS POWER SYSTEM CONNECTIONS AND IS NOT REPRESENTATIVE OF PHYSICAL LAYOUT. PLEASE REFER TO MECHANICAL DRAWINGS FOR MORE SPECIFIC PHYSICAL DATA.
- △4. UTILITY SOURCE MUST BE 1Ø, 220/230/240VAC (1Ø+N+G), 50/60Hz PROVIDED BY OTHERS.
- △5. DASHED LINES BETWEEN UNITS (-----) REPRESENT CABLING PROVIDED BY OTHERS.
- △6. ADDITIONAL EXTERNAL BATTERY PACKS (UP TO 10), CAN BE CONNECTED TO INCREASE THE RUN TIME FURTHER.
- △7. OUTPUT DISTRIBUTION PANEL CONTAINS SWITCHABLE OUTPUT GROUPS. REFER TO INSTALLATION MANUAL FOR DETAILED INSTRUCTIONS.
- △8. OPTIONAL PDU PANELS CAN BE PURCHASED SEPARATELY & INSTALLED TO PROVIDE ALTERNATIVE LOAD CONNECTIONS.

THIS DRAWING AND SPECIFICATIONS HEREIN ARE THE PROPERTY OF SCHNEIDER ELECTRIC AND SHALL NOT BE COPIED, REPRODUCED OR USED IN WHOLE OR IN PART, AS THE BASIS FOR THE MANUFACTURE OR SALE OF ITEMS WITHOUT WRITTEN PERMISSION FROM SCHNEIDER ELECTRIC. THIS DRAWING IS BASED UPON LATEST AVAILABLE INFORMATION AND IS SUBJECT TO CHANGE WITHOUT NOTICE.



TITLE: SMART-UPS RT (SURT)
SRT5KXLI + SRT192BP - TOWER
INPUT: 220/230/240V, 3W (1Ø+N+G)
OUTPUT: 220/230/240V, (6)IEC 320 C13, (4)IEC 320 C19
SINGLE-LINE DIAGRAM

PROJECT: DRAWING

DWG NO: SRT5KXLI+SRT192BP

DRAWN BY: S CUNHA 28-MAY-14

ENGINEER: C JAYARAMAN 28-MAY-14

APPROVED BY: M BEG 28-MAY-14

REV 0

PROJ ANGLE N/A