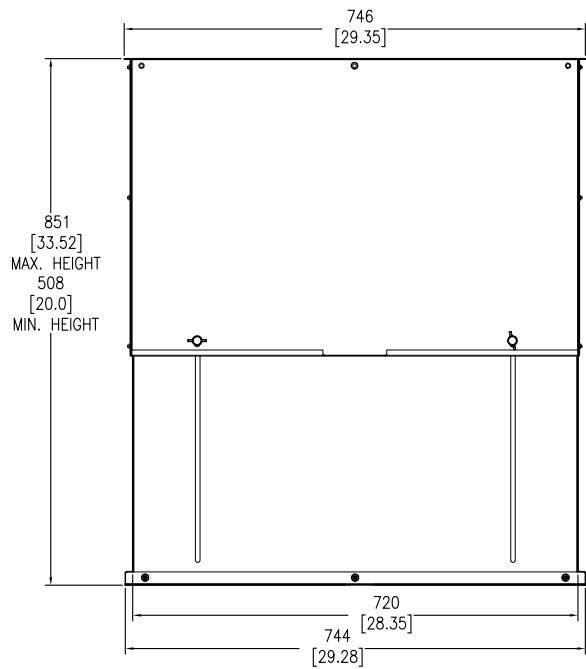
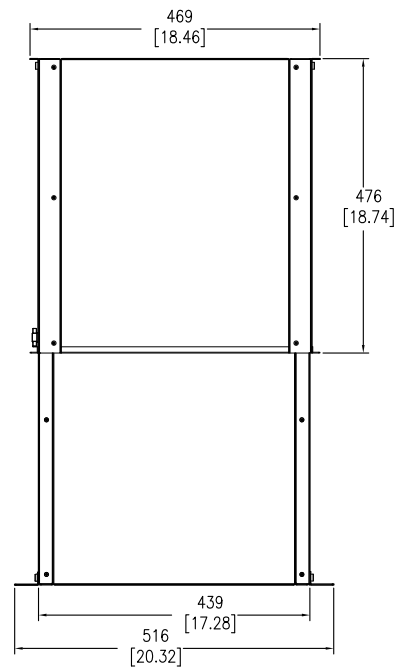


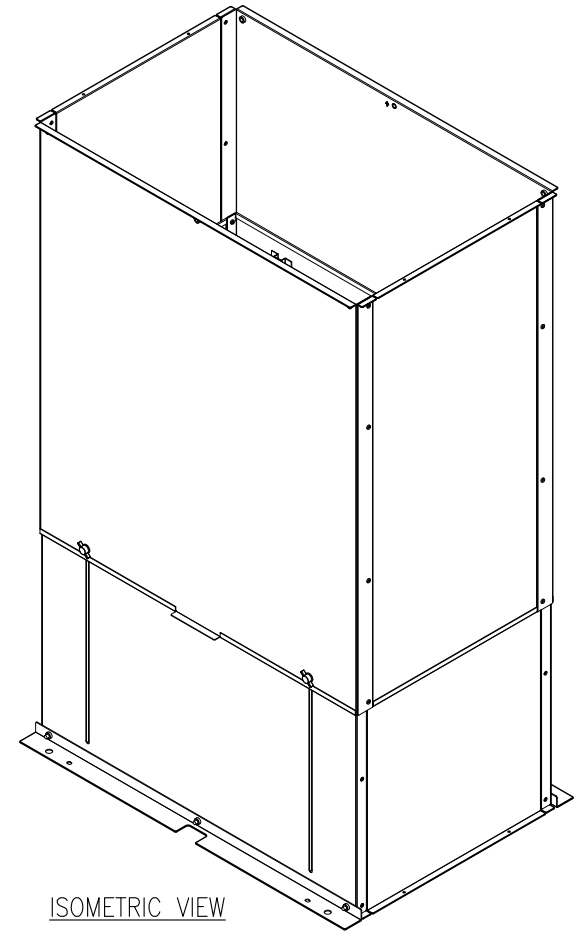
TOP VIEW



FRONT VIEW



SIDE VIEW



ISOMETRIC VIEW

NOTES:

1. INSTALLATION SHALL COMPLY WITH ALL APPLICABLE NATIONAL, STATE AND LOCAL CODES.
2. SEE PRODUCT DOCUMENTATION FOR FURTHER INFORMATION.
3. UNLESS OTHERWISE SPECIFIED, ALL DIMENSIONS ARE IN INCHES [MILLIMETERS].
4. NET WEIGHT OF UNIT IS 20.14KG [44.31LBS].
5. MISCELLANEOUS INTERNAL BAFFLES AND MAGNETIC PANELS ARE NOT SHOWN.

THIS DRAWING AND SPECIFICATIONS HEREIN ARE THE PROPERTY OF SCHNEIDER ELECTRIC AND SHALL NOT BE COPIED, REPRODUCED OR USED IN WHOLE OR IN PART, AS THE BASIS FOR THE MANUFACTURE OR SALE OF ITEMS WITHOUT WRITTEN PERMISSION FROM SCHNEIDER ELECTRIC. THIS DRAWING IS BASED UPON LATEST AVAILABLE INFORMATION AND IS SUBJECT TO CHANGE WITHOUT NOTICE.



TITLE:
SHORT RANGE VERTICAL EXHAUST DUCT KIT
FOR 750mm WIDE SX ENCLOSURE
MECHANICAL LAYOUT

DWG NO: AR7753

REV. 1

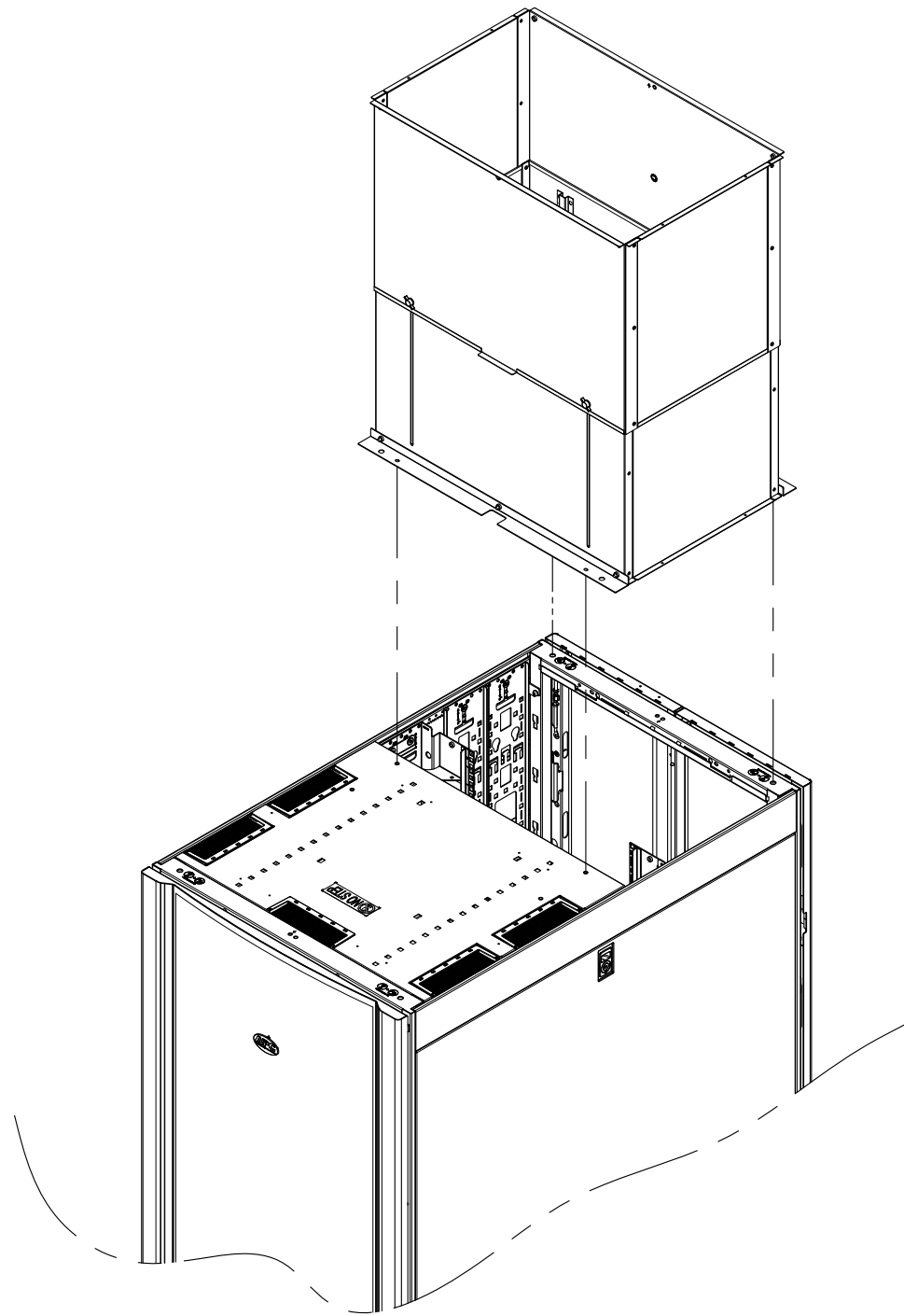
DRAWN BY: M CRAVEN 03-Feb-12

ENGINEER: y JIANG/J KUMMER 03-Feb-12

PROJECT: STD SUBMITTAL DRAWINGS SHEET 1 OF 2

APPROVED BY: T HORSTMANN/M LEPARD 03-Feb-12

THIRD
ANGLE
PROJ



NOTES:

1. INSTALLATION SHALL COMPLY WITH ALL APPLICABLE NATIONAL, STATE AND LOCAL CODES.
2. SEE PRODUCT DOCUMENTATION FOR FURTHER INFORMATION.

THIS DRAWING AND SPECIFICATIONS HEREIN ARE THE PROPERTY OF SCHNEIDER ELECTRIC AND SHALL NOT BE COPIED, REPRODUCED OR USED IN WHOLE OR IN PART, AS THE BASIS FOR THE MANUFACTURE OR SALE OF ITEMS WITHOUT WRITTEN PERMISSION FROM SCHNEIDER ELECTRIC. THIS DRAWING IS BASED UPON LATEST AVAILABLE INFORMATION AND IS SUBJECT TO CHANGE WITHOUT NOTICE.



TITLE:
SHORT RANGE VERTICAL EXHAUST DUCT KIT
FOR 750mm WIDE SX ENCLOSURE
INSTALLATION GUIDE

PROJECT: STD SUBMITTAL DRAWINGS SHEET 2 OF 2

DWG NO:	AR7753		REV.	0
DRAWN BY:	V BUSH	20-MAY-11	THIRD	
ENGINEER:	J KUMMER	04-AUG-11	ANGLE	
APPROVED BY:	T HORSTMANN/M LEAPARD	04-AUG-11	PROJ	